

Direct Steam Kettle

2/3 Jacketed
Deep Drawn Construction
Stationary, Pedestal Mounted
Made in USA

Model LP

STANDARD FEATURES



Model LP-40

Legion equipment is built to comply with applicable standards for manufacturers. Approval agencies may include ASME, NSF, UL, ETL, AGA, CSA, CGA, and others. Legion reserves the right of design improvement or modification as warranted.

- ◆ Kettle System
 - ◇ Seamless deep-drawn 304 kettle liner
 - ◇ 304 stainless draw-off tube and welds
 - ◇ 304 stainless 2" compression draw-off valve
- ◆ 304L seamless deep-drawn stainless kettle jacket
- ◆ 304 stainless pedestal tube, seam welded to jacket
- ◆ 304 stainless pedestal base
- ◆ 304 stainless, one piece, domed cover, actuator-assisted on 40 - 100 gallon
- ◆ 30 psi operating pressure
- ◆ Perforated disk strainer, 1/4" holes

Models and Capacities

Optional Features and Accessories

See price list for supplemental information regarding options

LP-10	10 gal.	38 l.
LP-20	20 gal.	76 l.
LP-30	30 gal.	114 l.
LP-40	40 gal.	151 l.
LP-50	50 gal.	189 l.
LP-60	60 gal.	227 l.
LP-80	80 gal.	303 l.
LP-100	100 gal.	379 l.

Faucet Options:

- _ Single or double fill faucet with bracket & 12" or 18" swing nozzle
 - _ 48" flexible spray hose assembly (vinyl or stainless) for use with dual or single fill faucet
 - _ Faucet bracket
 - _ Automatic water filling meter
- (Call for information regarding additional faucet options)

Other Options:

- _ Pressure reducing valve
 - _ Connection plumbing parts kit
 - _ Mixer/Agitator, 2 speed
- ### Covers:
- _ Lift-off cover
 - _ 1 piece actuator-assisted cover, 20 - 30 gallon
 - _ 2 piece hinged cover

Select draw-off valve: 2" 3"

With: compression ball type fitting

See price list for other draw-off options.

Prison/Security Options:

- _ Fastener (nut for draw-off)
- _ Draw-off nut driver tool
- _ Lockable lid
- _ Draw-off protection
- _ Reinforced bar rim

Other Options:

- _ Higher operating pressure
- _ Air eliminator valve

Accessories:

- _ Single basket insert, 20 - 40 gallon
- _ Tri-basket insert
- _ Nylon bag insert with spreader ring
- _ Draw-off drain hose
- _ Measuring strip
- _ Perforated disk strainer 1/8" holes
- _ Kettle care kit

Revision 113



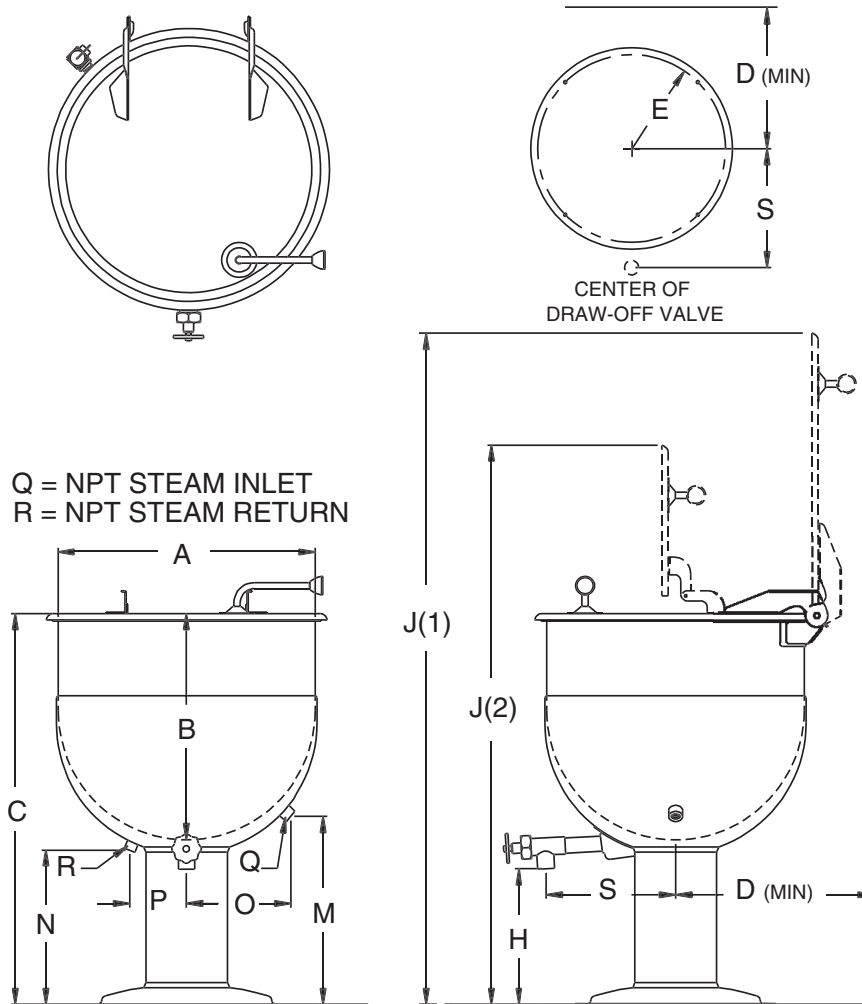
LEGION Legion Industries, Inc. P.O. Office Box 728 Waynesboro, GA 30830 (800) 887-1988
(706) 554-4411 Fax: (706) 554-2035 www.legionindustries.com sales@legionindustries.com

Model LP

2/3 Jacketed
Deep Drawn Construction
Stationary, Pedestal Mounted
Made in USA

Direct Steam Kettle

DRAWING REPRESENTS MODEL LP-40



MODEL LP DIMENSIONS															
Gal.	A	B	C	D	E	H*	J1	J2	M	N	O	P	Q	R	S
10	16.0	14.0	29.5	17.0	8.0	12.6	48.0	NA	15.3	14.7	5.1	4.3	.50	.50	10.3
20	22.0	16.0	31.0	20.0	7.8	13.5	56.0	46.2	16.7	14.7	7.9	5.0	.75	.50	13.0
30	23.0	20.3	35.6	20.5	7.8	13.9	61.6	51.8	17.3	15.5	8.3	5.0	.75	.50	13.0
40	25.5	22.3	36.8	21.8	9.3	13.0	65.3	54.8	17.4	14.5	9.7	5.3	.75	.50	13.0
50	29.5	21.8	36.5	23.8	9.3	13.3	69.0	60.0	17.6	15.3	10.5	6.4	.75	.50	14.0
60	29.5	25.0	39.7	23.8	9.3	13.2	72.2	63.2	17.6	15.3	10.5	6.4	.75	.50	14.0
80	32.5	27.6	43.0	25.3	11.8	13.9	78.5	67.8	17.9	17.3	10.7	6.4	1.00	.75	14.0
100	39.0	25.9	40.7	28.5	11.8	13.3	82.7	65.6	18.3	16.1	13.0	10.0	1.00	.75	17.8

* "H" dimension varies with draw-off size selection.

Revised 113



LEGION Legion Industries, Inc. P.O. Office Box 728 Waynesboro, GA 30830 (800) 887-1988
(706) 554-4411 Fax: (706) 554-2035 www.legionindustries.com sales@legionindustries.com