



C-IBA-36-CP10



NOTE: Ice bins intended to store potable ice must be ordered with an ice bin cover to maintain the sanitation listing.

### Specifications

#### Drain

- Non-cold plate model: 1-1/2" tailpiece
- Ten circuit cold plate model '-CP10': 3/4" MPT

#### Cold Plate (models with '-CP10-ED' suffix)

- Ten circuit available with all 24" and wider models
- Connection is 5/16" O.D. stainless steel tubing with swaged end

#### Liner Depth

- 10-1/2"

#### Legs

- 1-5/8" diameter, 16 gauge stainless steel
- Stainless steel bullet feet

#### Materials

- 20 gauge stainless steel
- PVC plastic breaker strip around ice bin liner

To view cleaning and care instructions, please visit:  
[https://glastender.com/PDF/F-423-011\\_ss\\_clean\\_care.pdf](https://glastender.com/PDF/F-423-011_ss_clean_care.pdf)

|                          |            |
|--------------------------|------------|
| Project: _____           | AIA# _____ |
| Item #: _____ Qty: _____ | SIS# _____ |
| Model #: _____           |            |

## Ice Bins

**C-IB**

See reverse side for model number key

### Standard Features

- All stainless steel construction
- PVC plastic breaker strip around ice bin liner acts as a thermal barrier to prevent heat transfer
- 24" deep version provides larger ice bin not just a deck extension on the back of the 19" deep model
- Eco friendly foamed-in-place insulation has zero impact on global warming or ozone depletion.
- Adjustable stainless steel bullet feet
- Ten circuit available with all 24" and wider models (add suffix '-CP10' to model number)
- Backsplash is an open channel to provide access for beverage lines

### Accessories

|                    |   |
|--------------------|---|
| C-SR-X             | Single speed rail, where X is specified as the length in inches.  |
| C-DR-X             | Double speed rail, where X is specified as the length in inches.  |
| IBCA-X or IBCB-X   | Two-piece, sliding stainless steel cover for 19" (A) or 24" (B) deep models, respectively, where X is specified as the length of the ice bin in inches. Deduct 6" from cover length for one bottle well and 12" for two bottle wells. |
| BW3 or BW4         | 3 or 4 bottle well for potable ice for 19" (A) or 24" (B) deep models, respectively. May be positioned left or right. If two are ordered, they are positioned one at each side.   |
| BR3 or BR4         | 3 or 4 bottle rack for non-potable ice for 19" (A) or 24" (B) deep models, respectively. One rack may be ordered for each 6" of ice bin length. Not for use with sliding cover. Not for use with 6" ice bins.                         |
| CCD                | Condiment dispenser   |
| IBD-H-A or IBD-H-B | Ice bin divider for 19" (A) or 24" (B) deep models, respectively.   |

Glastender, Inc. • 5400 North Michigan Road • Saginaw, MI • 48604-9780  
989.752.4275 • 800.748.0423 • Fax 989.752.4444  
<https://glastender.com>

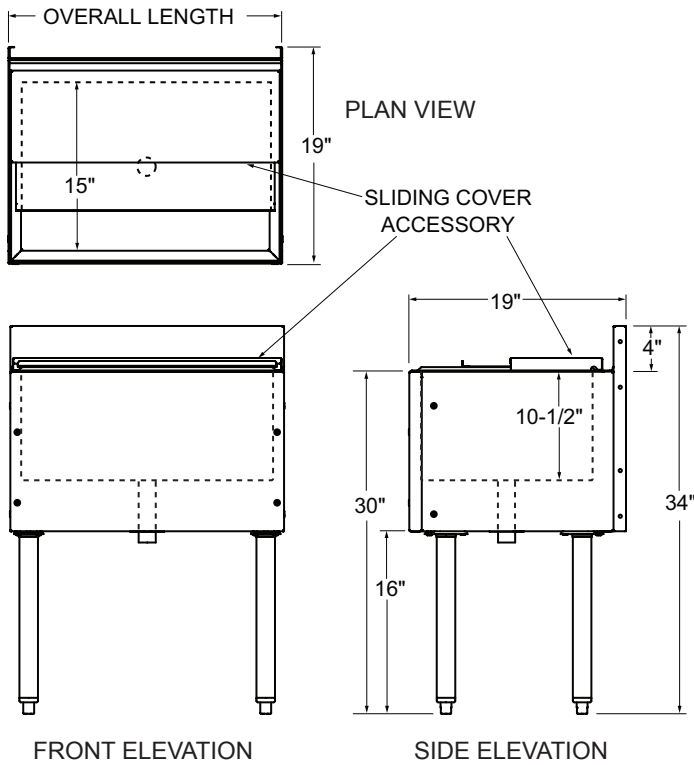
Approval/Notes:

Specifications subject to change without notice. For current specifications please visit our website.

# Choice Ice Bins

## Dimensional Information

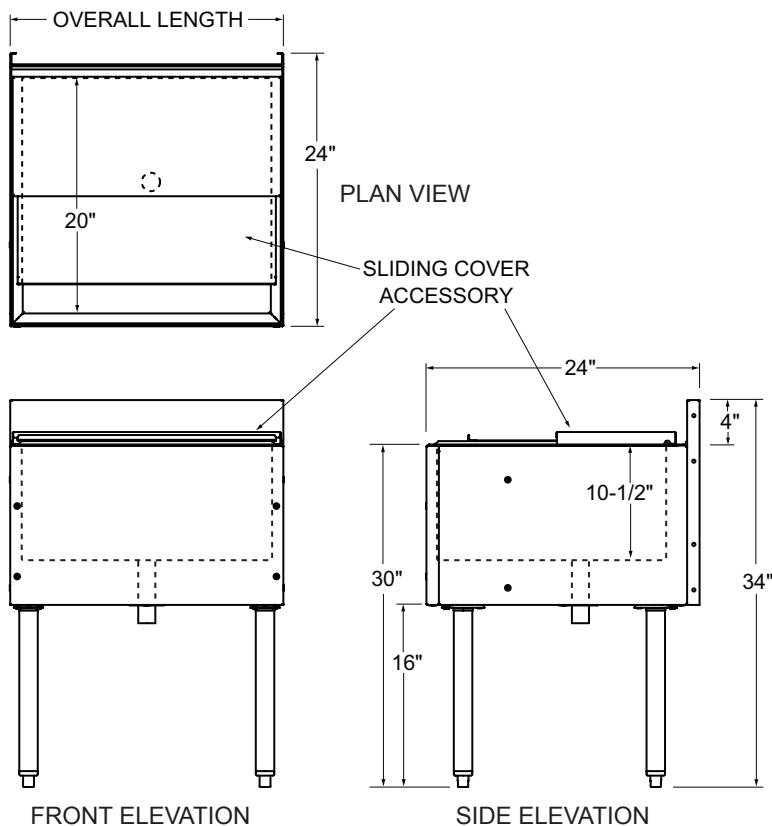
### “A” Depth-19” Deep Models



| Model Number               | Overall Length | Ice Capacity |
|----------------------------|----------------|--------------|
| C-IBA-6*                   | 6"             | 17 lbs       |
| C-IBA-12                   | 12"            | 33 lbs       |
| C-IBA-18                   | 18"            | 50 lbs       |
| C-IBA-24                   | 24"            | 67 lbs       |
| C-IBA-30                   | 30"            | 84 lbs       |
| C-IBA-36                   | 36"            | 100 lbs      |
| C-IBA-42                   | 42"            | 117 lbs      |
| C-IBA-48                   | 48"            | 134 lbs      |
| With 10-Circuit Cold Plate |                |              |
| C-IBA-24-CP10              | 24"            | 67 lbs       |
| C-IBA-30-CP10              | 30"            | 84 lbs       |
| C-IBA-36-CP10              | 36"            | 100 lbs      |
| C-IBA-42-CP10              | 42"            | 117 lbs      |
| C-IBA-48-CP10              | 48"            | 134 lbs      |

\* Note: 6" unit cannot be free standing

### “B” Depth-24” Deep Models



| Model Number               | Overall Length | Ice Capacity |
|----------------------------|----------------|--------------|
| C-IBB-6*                   | 6"             | 21 lbs       |
| C-IBB-12                   | 12"            | 42 lbs       |
| C-IBB-18                   | 18"            | 64 lbs       |
| C-IBB-24                   | 24"            | 85 lbs       |
| C-IBB-30                   | 30"            | 106 lbs      |
| C-IBB-36                   | 36"            | 127 lbs      |
| C-IBB-42                   | 42"            | 149 lbs      |
| C-IBB-48                   | 48"            | 170 lbs      |
| With 10-Circuit Cold Plate |                |              |
| C-IBB-24-CP10              | 24"            | 85 lbs       |
| C-IBB-30-CP10              | 30"            | 106 lbs      |
| C-IBB-36-CP10              | 36"            | 127 lbs      |
| C-IBB-42-CP10              | 42"            | 149 lbs      |
| C-IBB-48-CP10              | 48"            | 170 lbs      |

\* Note: 6" unit cannot be free standing

