



# Stainless Steel Ingredient Bins

## Shelving & Storage



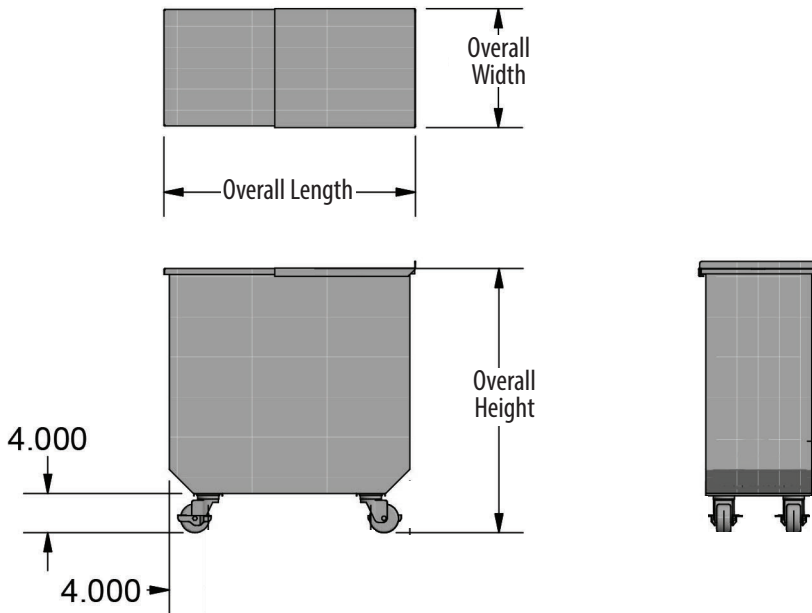
Use your smart phone to scan the above QR code to visit our website:  
[www.bk-resources.com](http://www.bk-resources.com)



### Features:

- Includes: (4) 3 1/2" Swivel Casters, w/ Brakes
- Commercial Grade Stainless Steel
- Sliding Lid
- Corner Bumpers

Part #	Unit Size (l x w x h)	Capacity	Product Weight (lbs)
IGB-84	29 1/8" x 14 3/8" x 24 1/2"	84 Quart	42.00
IGB-100	26 1/8" x 12 3/8" x 27 1/2"	100 Quart	45.00
IGB-124	26 1/8" x 18 5/8" x 29 1/2"	124 Quart	54.00



PRODUCT DATA SHEET

BK RESOURCES

