



T&S BRASS AND BRONZE WORKS, INC.

2 Saddleback Cove / P.O. Box 1088
Travelers Rest, SC 29690

Model No.

B-1171-01

Item No.

Travelers Rest, SC: 800-476-4103 • Simi Valley, CA: 800-423-0150 • Fax: 864-834-3518 • www.tsbrass.com

This Space for Architect/Engineer Approval

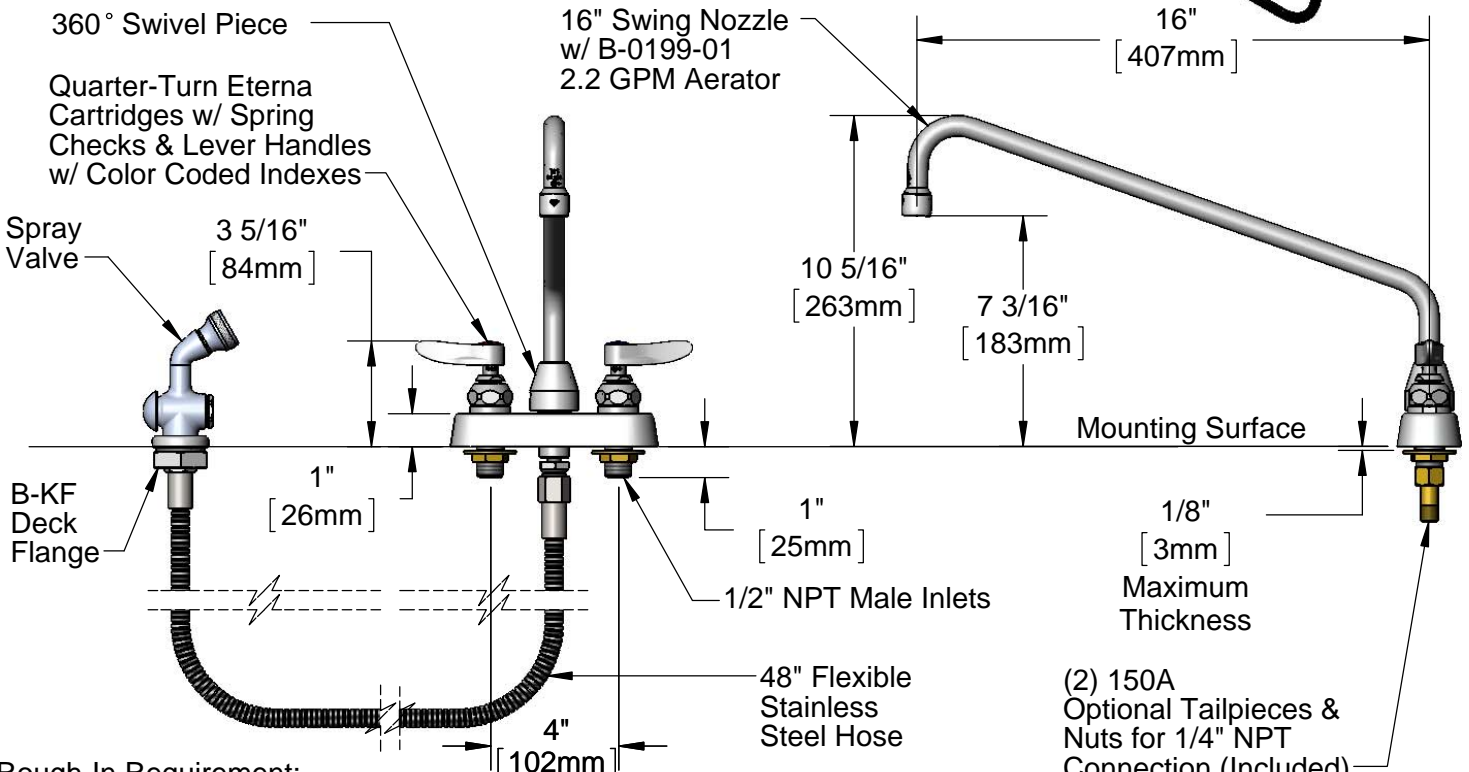
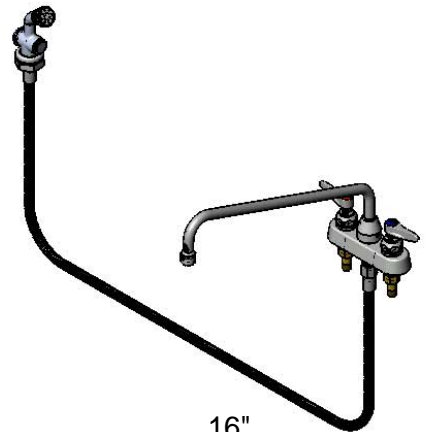
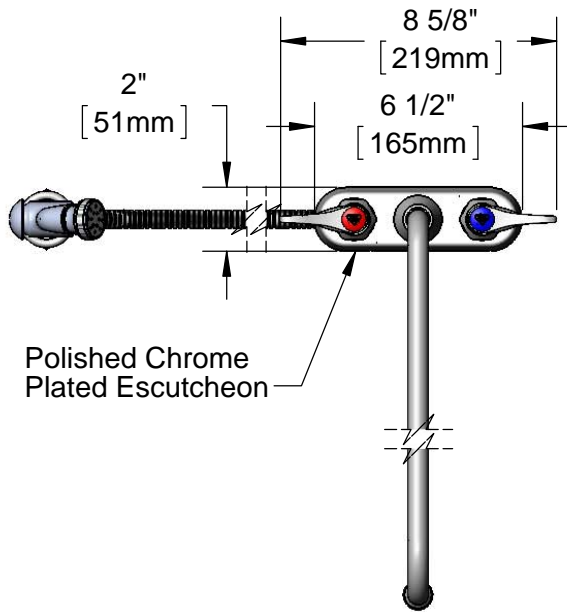
Job Name _____ Date _____

Model Specified _____ Quantity _____

Customer/Wholesaler _____

Contractor _____

Architect/Engineer _____



Rough-In Requirement:
Faucet: (3) ϕ 1" [25mm] Mounting Holes
Deck Flange: (1) ϕ 1 9/16" [40mm] Mounting Hole

Product Specifications:

4" Deck Mount Workboard Mixing Faucet, Quarter-Turn Eterna Cartridges w/ Spring Checks, Lever Handles, 16" Swing Nozzle, 2.2 GPM Aerator, 48" Flexible Stainless Steel Hose, Spray Valve, Deck Flange & 1/2" NPT Male Inlets

Product Compliance:

ASME A112.18.1 / CSA B125.1
NSF 61 - Section 9
NSF 372 (Low Lead Content)



T&S BRASS AND BRONZE WORKS, INC.

2 Saddleback Cove / P.O. Box 1088
Travelers Rest, SC 29690

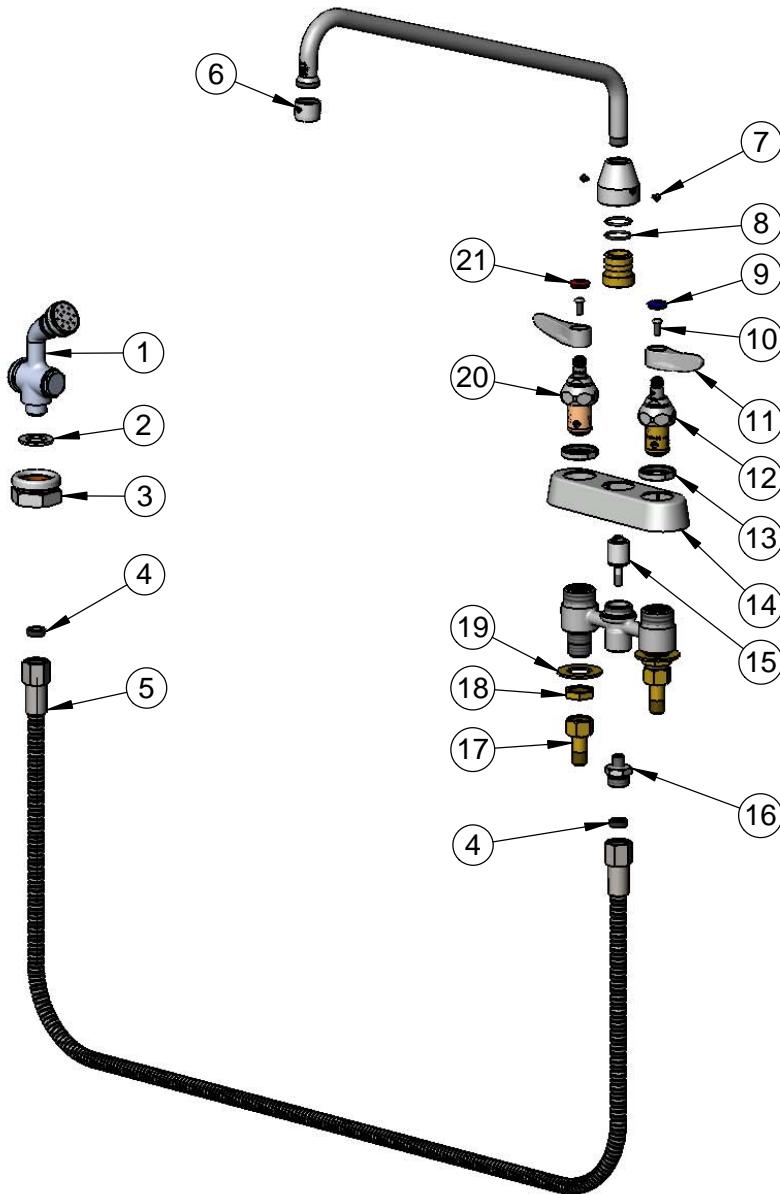
Model No.

B-1171-01

Item No.

Travelers Rest, SC: 800-476-4103 • Simi Valley, CA: 800-423-0150 • Fax: 864-834-3518 • www.tsbrass.com

ITEM NO.	SALES NO.	DESCRIPTION
1	002857-40	Spray Valve Assembly
2	001010-40	Washer, Stainless Steel
3	B-KF	Protective Flange
4	010476-45	#27 Washer
5	013E-48H	48" Flexible Stainless Steel Hose
6	B-0199-01	2.2 GPM Aerator, 55/64"-27 UN Female
7	001486-45	Diverter Cover Screw
8	001069-45	O-ring
9	019363-45	Blue Button Index, Press-in
10	000925-45	Lab Handle Screw
11	019361-45	Lever Handle (New Style)
12	019382-40	Quarter-Turn New Style Eterna Cartridge w/ Spring Check, LTC
13	019376-40	Escutcheon Lock Nut
14	019374-40	B-1110 Eterna Workboard Escutcheon
15	002338-45	Valve Diverter Piston
16	000542-25	1/8" NPT x 3/4-14 Male Adapter
17	150A	1/4" NPT Tailpiece & Nut
18	002954-45	Shank Lock Nut
19	000999-45	Brass Lock Washer
20	019383-40	Quarter-Turn New Style Eterna Cartridge w/ Spring Check, RTC
21	019364-45	Red Button Index, Press-in



Product Specifications:

4" Deck Mount Workboard Mixing Faucet, Quarter-Turn Eterna Cartridges w/ Spring Checks, Lever Handles, 16" Swing Nozzle, 2.2 GPM Aerator, 48" Flexible Stainless Steel Hose, Spray Valve, Deck Flange & 1/2" NPT Male Inlets

Product Compliance:

ASME A112.18.1 / CSA B125.1
NSF 61 - Section 9
NSF 372 (Low Lead Content)