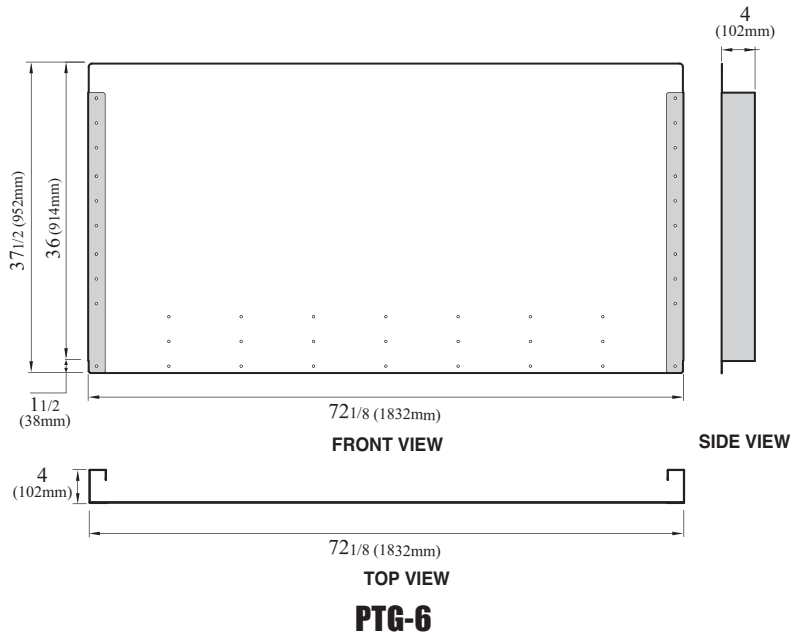
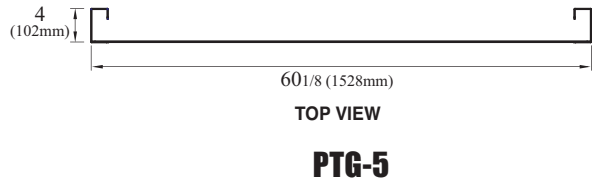
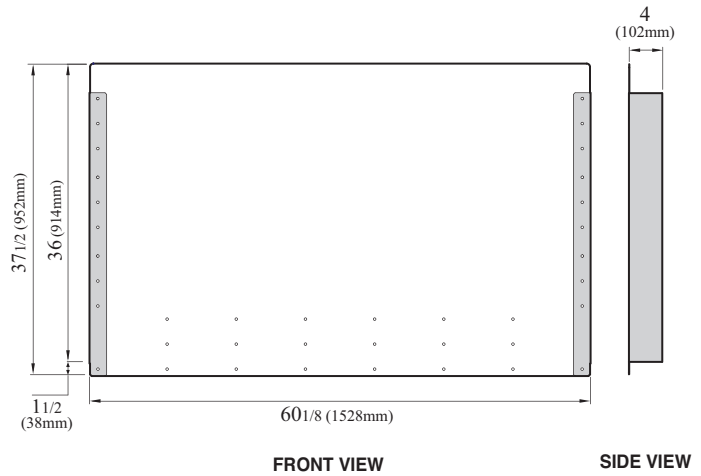
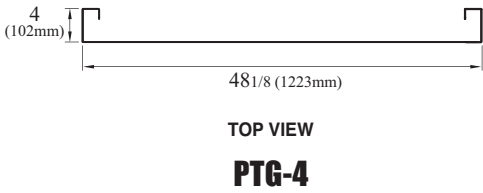
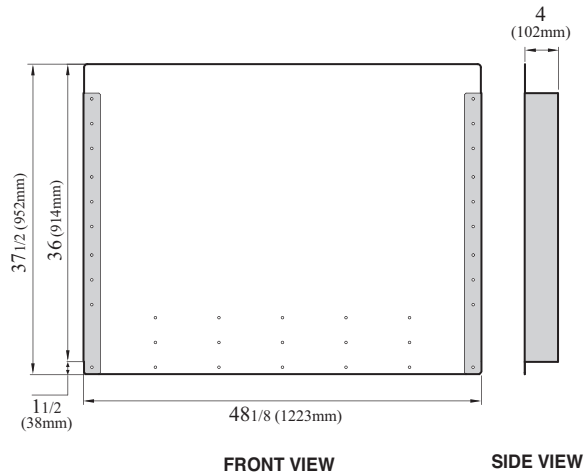


Project :	
Model # :	
Item # :	Qty :
Available W/H :	
Approval :	

Protective Guards

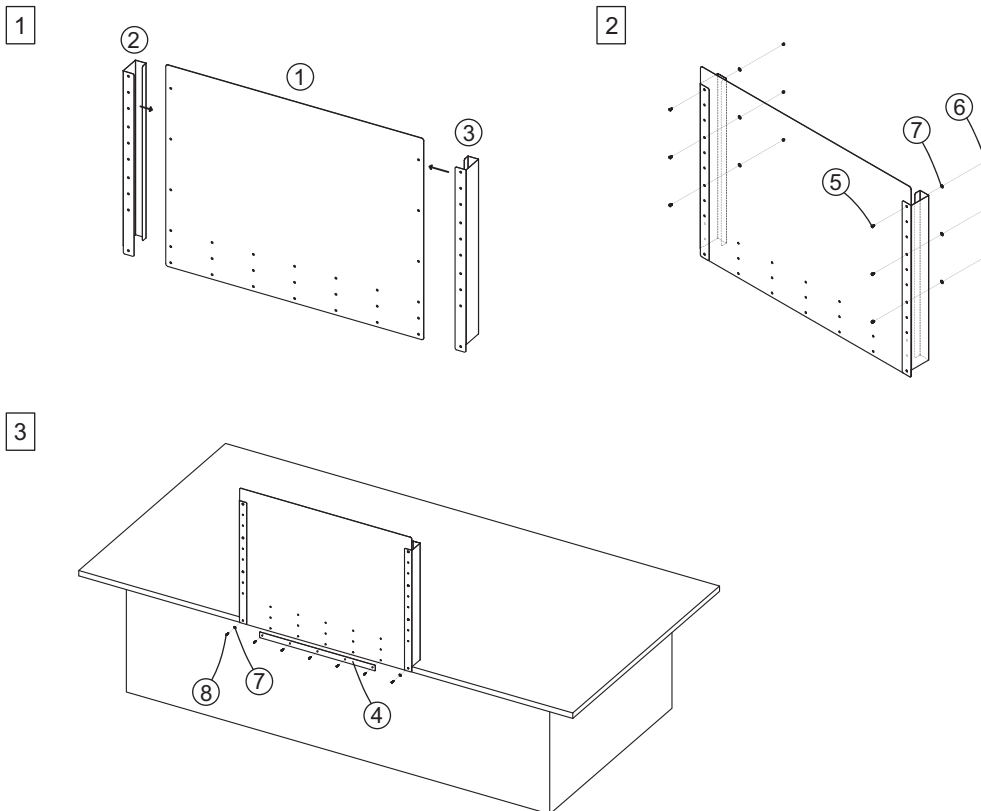
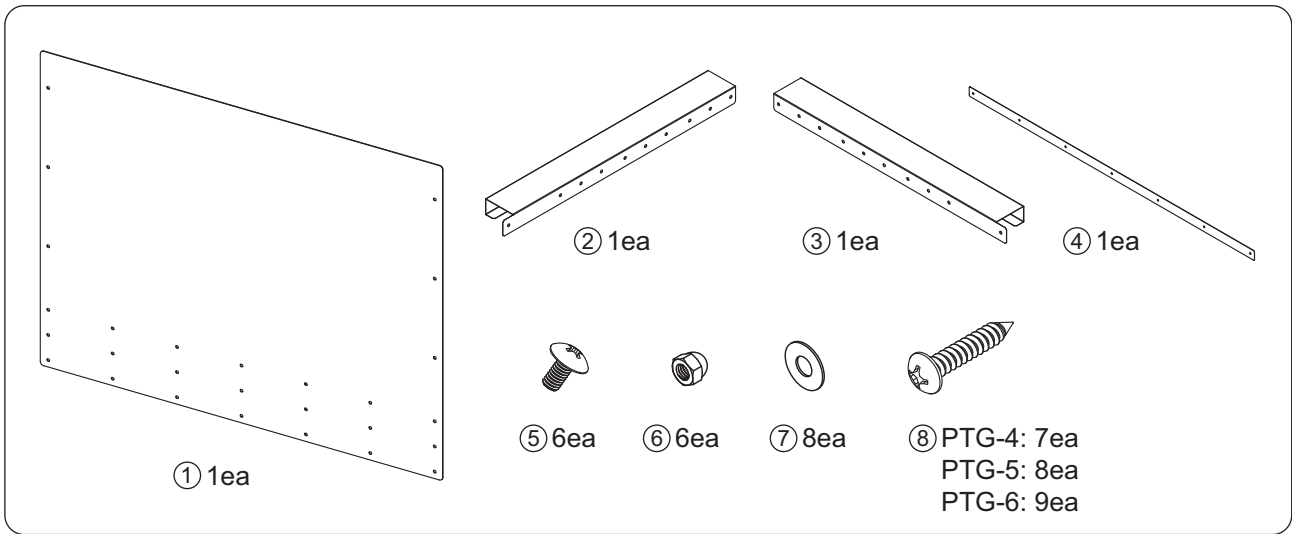
Model : PTG-4/PTG-5/PTG-6



Model	Dimension (L x D x H) (In.)	Crated Weight (lbs.)
PTG-4	48 1/8 x 4 x 37 1/2	18
PTG-5	60 1/8 x 4 x 37 1/2	21
PTG-6	72 1/8 x 4 x 37 1/2	24

Protective Guards

Installation Instruction



Ver.20200511

- Turbo Air : 800-627-0032
- GK : 800-500-3519
- Warranty : 800-381-7770
- AC : 888-900-1002