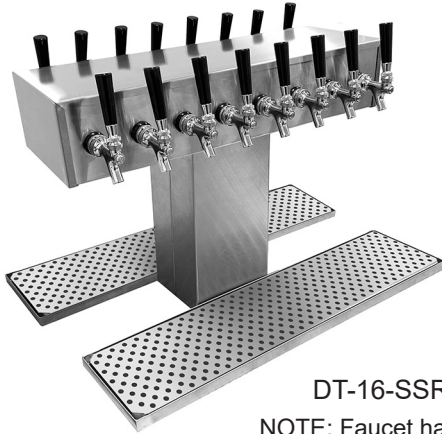




A family company manufacturing in the USA

www.glastender.com



DT-16-SSR

NOTE: Faucet handles not included.



Optional Rinser Faucet Extension -RFE

Optional Rinser Faucet

Installation Notes

- Unit does not provide a 1" air gap
- Must be installed with external backflow prevention to meet applicable federal, state, and local plumbing code requirements.
- Install in-line water pressure regulator (included)
- A separate shut-off valve is recommended (not included)

03012383
Rinser Faucet Assembly



Intertek

4004503
Conforms to NSF/ANSI STD 372

NOTE: Rinser faucets are not intended for use with towers mounted to a refrigerator due to risk of water line freeze up.

To view cleaning and care instructions, please visit: https://www.glastender.com/PDF/F-423-011_ss_clean_care.pdf

Glastender, Inc. • 5400 North Michigan Road • Saginaw, MI • 48604-9780
989.752.4275 • 800.748.0423 • Fax 989.752.4444
www.glastender.com

Specifications subject to change without notice. For current specifications please visit our website.

Printed in USA

Project: _____	AIA# _____
Item #: _____ Qty: _____	SIS# _____
Model #: _____	

Double-Sided Towers

DT- -

Size: Specify the number of faucets from 16, 20, 24, 32, 36, 40

Finish:
SS = Grainline
MF = Mirror
PB = Brass

Standard Features

- Stainless steel construction
- Surface mount drain pans with lift-out perforated inserts
- 1/4" shanks with 3/16" restriction lines
- Insulated cold plate assembly for recirculating system
- Eco friendly foamed-in-place insulated column for extra rigidity. Eco friendly foamed-in-place insulation has zero impact on global warming or ozone depletion.
- All models include all stainless steel faucets and shanks

Configurable Options

- One column in 16 or 20 faucets, or two column in 24, 32, 36, or 40 faucets
- Grainline, mirror, or brass finish* (*NOTE: Brass finish towers provided with mirror finish drain pan and brass finish perforated insert)
- Air cooled for direct-draw system or glycol cooled for recirculating system
- Rinser faucet extension to the left or right of the drain pan; specify RFE option

Specifications

Drains

- Drain pan models - 1/2" tailpiece

Materials

- 20 gauge stainless steel parts include: head, column, drain pan, and perforated inserts
- 16 gauge galvanized steel parts include: interior foamed box.
- 11 gauge stainless steel parts include: inner column base and top plate and tower head mounting plate

Shank Sizes

- 1/4" I.D. with 3/16" fittings

Rinser Faucet (optional)

- Accepts 3/8" cold water lead
- 30 psi water pressure regulator included
- 1.2 gallons per minute

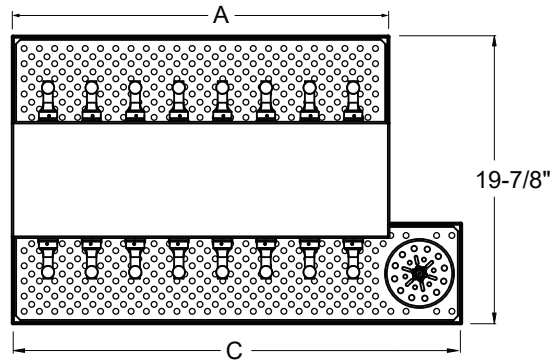
Approval/Notes:

Double-Sided Towers

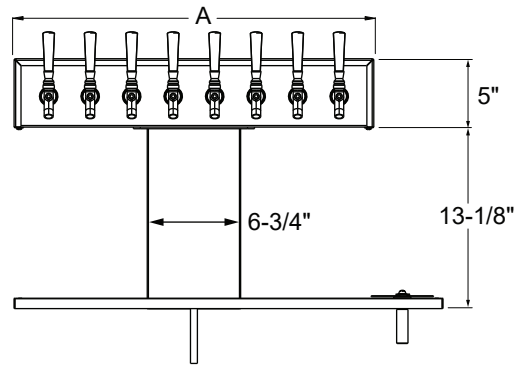
Drawings

SINGLE COLUMN DT TOWER		
FAUCETS	16	20
"A" WIDTH	26"	32"
"C" WIDTH	Each rinsers faucet adds 5" to drain pan width	

SINGLE COLUMN DT PLAN VIEW

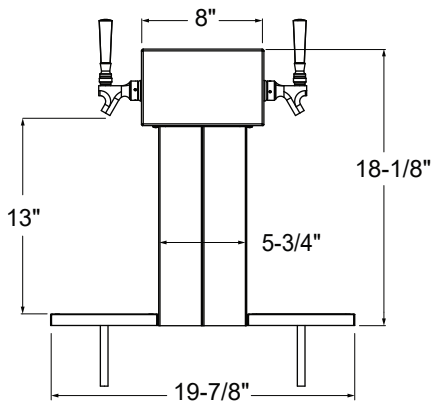


DT FRONT ELEVATION

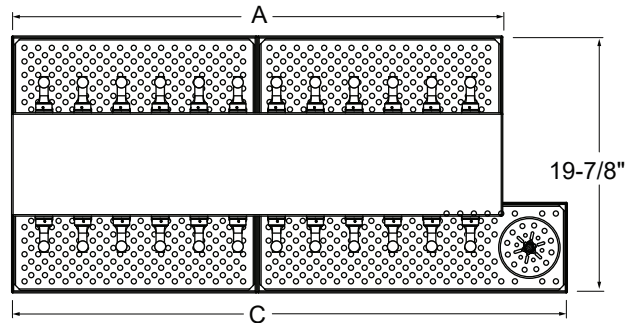


SHOWN WITH OPTIONAL RINSER FAUCET

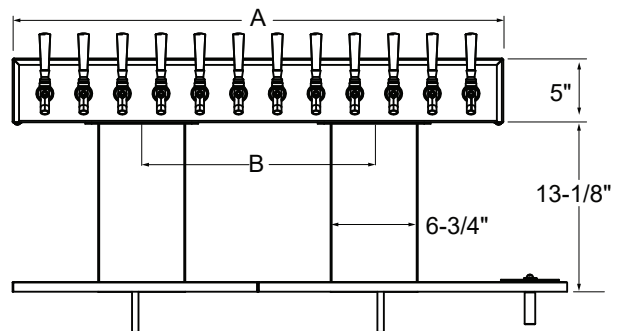
DT SIDE VIEW



DOUBLE COLUMN DT PLAN VIEW



DOUBLE COLUMN DT FRONT ELEVATION



SHOWN WITH OPTIONAL RINSER FAUCET

DOUBLE COLUMN DT TOWER				
FAUCETS	24	32	36	40
"A" WIDTH	38"	50"	56"	62"
"B" WIDTH	18"	24"	27"	30"
"C" WIDTH	Each rinsers faucet adds 5" to drain pan width			