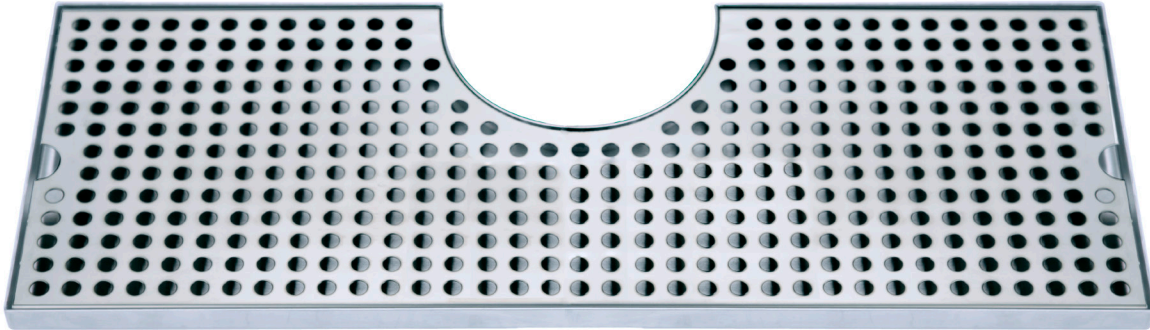
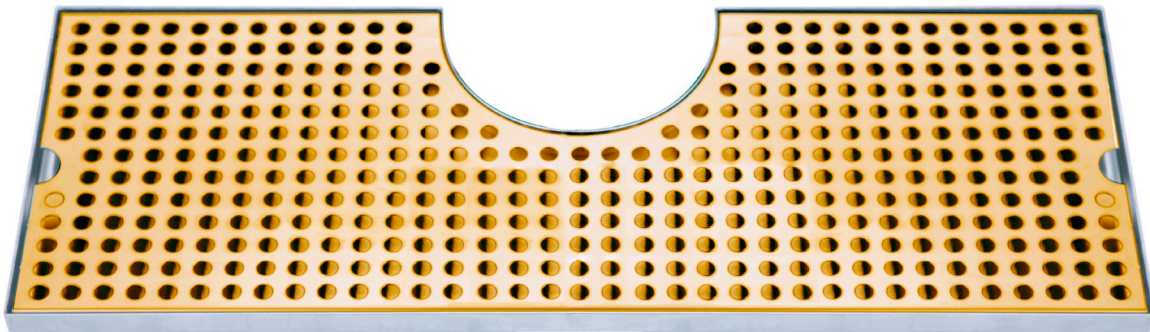


SURFACE MOUNT SERIES WITH CUTOUT 8 1/2" X 34"

- Designed specifically for Metropolis T draft towers
- Robust 18 gauge stainless steel construction
- Welded corners, finished smooth for safety and appearance
- Fast draining, precision perforated screen

**DP-MET-T-34-Z**

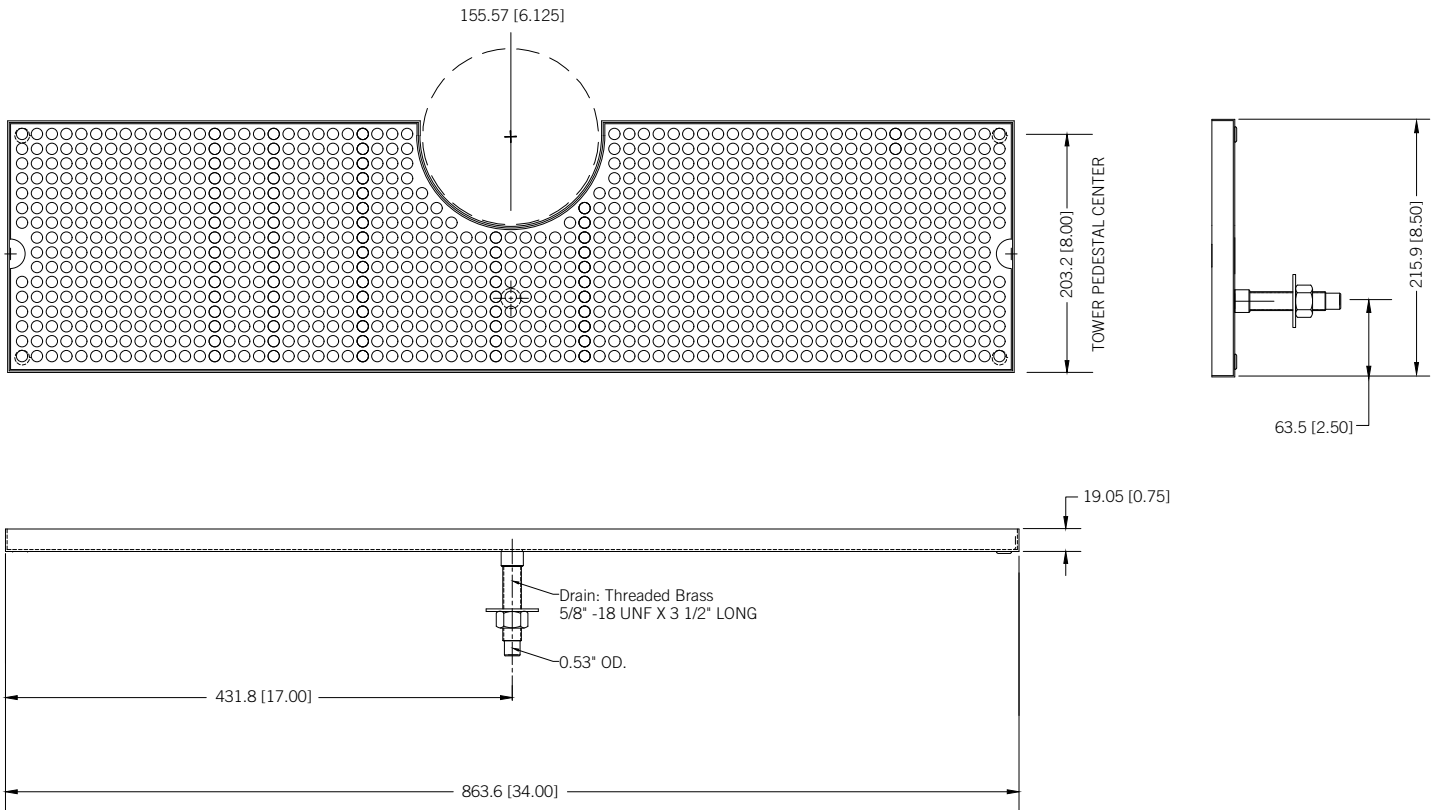
Stainless Steel

**DP-MET-T-PVD-34-Z**

PVD Brass / Stainless Steel

Part No.	Dimensions	Finish	Shipping Weight
□ DP-MET-T-34-Z	8 1/2"W x 34"L x 3/4"H	Stainless Steel	TBD
			TBD
□ DP-MET-T-PVD-34-Z	8 1/2"W x 34"L x 3/4"H	PVD Brass / Stainless Steel	TBD
			TBD

Dimensions



 **MICRO MATIC**
 Toll-Free: 1-866-327-4159
www.micromatic.com

West
 19791 Bahama St.
 Northridge, CA 91324
 Tel. (818) 701-9765
 Fax. (818) 701-9844

Central
 10726 North Second St.
 Machesney Park, IL 61115
 Tel. (815) 968-7557
 Fax. (815) 968-0363

Southeast
 2386 Simon Ct.
 Brooksville, FL 34604
 Tel. (352) 799-6331
 Fax. (352) 796-2429

Northeast
 4601 Saucon Creek Rd.
 Center Valley, PA 18034
 Tel. (610) 625-4464
 Fax. (610) 625-4466