

Cuisine Series Heavy Duty 18" Add-A-Unit

Project _____
 Item _____
 Quantity _____
 CSI Section 11400
 Approved _____
 Date _____

Models

- C18-9S
- C18-9M



Model C18-9S
18" Add-A-Unit
Hot Top

Standard Features

- One 18" (457mm) hot top section 32,500 BTU/h (NG)
- Hi-lo valve burner control
- Stainless steel front and sides
- Stainless steel front rail
- Stainless steel burner box
- 1-1/4" NPT front gas manifold
- Can be installed individually or in a battery
- 7" (178mm) high stainless steel stub back
- 6" (152mm) stainless steel adj. legs
- Modular unit (M) can be mounted on Polar Cuisine refrigerated base

Options & Accessories

- Single or double deck high shelf or back riser
- Full-height stand for modular unit with legs or casters
- Stainless steel intermediate shelf for cabinet base
- Stainless steel door for cabinet use units
- Stainless steel back
- Continuous plate rail, 48-72" for battery installations
- Gas shut-off valves: 3/4", 1", 1 1/4" NPT (Specify)
- Gas regulator: 3/4", 1", 1-1/4" NPT (Specify)
- Gas flex hose w/ quick disconnect: 3/4", 1", 1 1/4" (Specify)
- Rear gas connection: 3/4" NPT
- Set of (4) flanged feet (for fastening unit to the floor)
- Set of (4) 5" polyurethane non-marking swivel casters w/front brakes
- Set of (4) 6" swivel casters, w/front brakes
- Extension for 1/9 pans

Specifications

Garland Cuisine Series Add-A-Unit, Model _____ with total BTU/h rating _____ when used with natural/propane gas. Stainless steel finish & 6" (152mm) legs w/adjustable feet.

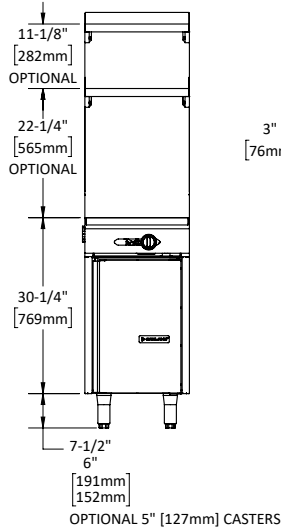
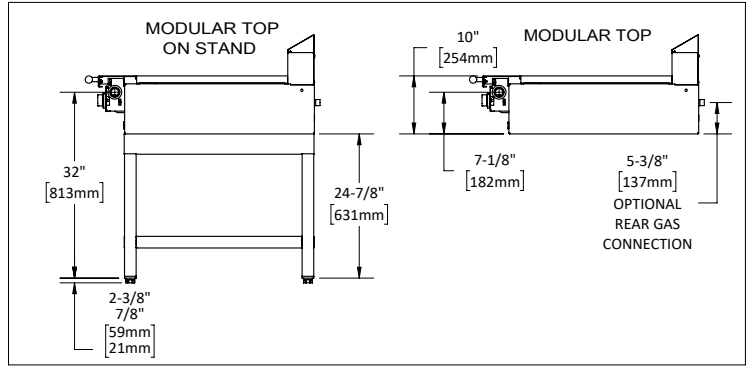
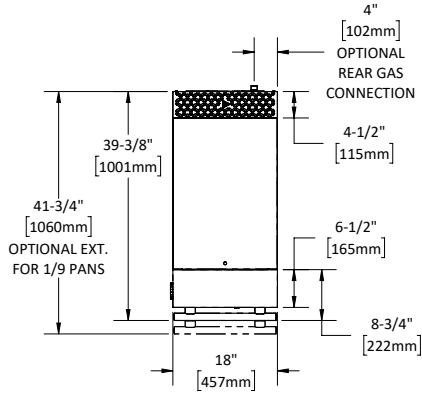
Hot Top - 18" (457mm) section rated 32,500 BTU/h per plate.

NOTE: Ranges supplied with casters must be installed with an approved restraining device.

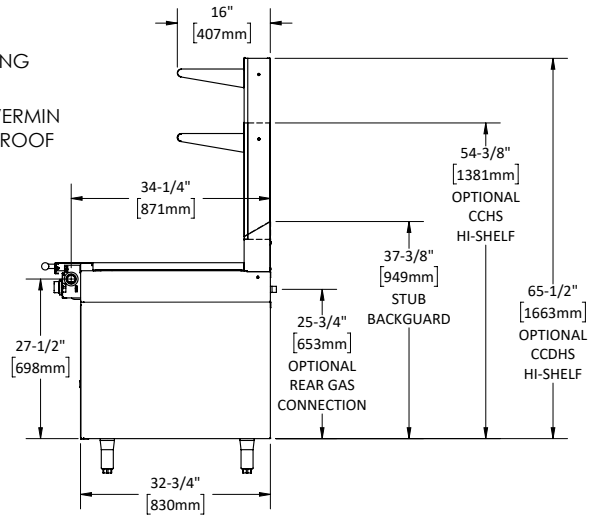
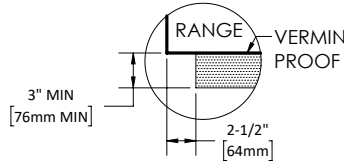


Cuisine Series Heavy Duty 18" Add-A-Unit

Cuisine Series Heavy Duty 18" Add-A-Unit



CURB/DAIS MOUNTING



Model #	Description	Total BTU/h NAT. Gas	Total BTU/h Propane	Shipping	
				Cu Ft	lbs/kg
C18-9S	18" (457mm) HT / Storage Base	32,500	32,500	28	230/104
C18-9M	18" (457mm) HT / Modular Top	32,500	32,500	26	200/90

HT = Hot Top

Combustible Wall Clearance	
Sides	Back
10" (254mm)	6" (152mm)

Individual Burner Ratings (BTU/h)		
Burner	NAT.	PRO.
18" Hot Top	32,500	32,500

Dimensions: In (mm)	Unit	Cabinet Interior
Width	18" (457mm)	15-1/2" (394mm)
Depth	39 3/8" (1001mm)	28-1/2" (724mm)
Height	30 1/4" (769mm)	19-1/2" (495mm)
Height w/ 6" legs	36 1/4" (921mm)	N/A

Gas Pressure	NAT.	PRO.
Minimum Supply	7" WC	11" WC
Manifold Operating Pressure	6" WC	10" WC
Gas Manifold 1-1/4" NPT		

Garland reserves the right to make changes to the design or specifications without prior notice.

Garland Commercial Ranges Ltd.
1177 Kamato Road,
Mississauga, Ontario
L4W 1X4 CANADA

General Inquires 1-905-624-0260
USA Sales, Parts and Service 1-800-424-2411
Canadian Sales 1-888-442-7526
Canada or USA Parts/Service 1-800-427-6668

www.garland-group.com
7897
11/23

