



Warewashing Systems

# M24STD-18

Project \_\_\_\_\_  
 Item \_\_\_\_\_  
 Quantity \_\_\_\_\_  
 CSI Section 11400 \_\_\_\_\_  
 Approval \_\_\_\_\_  
 Date \_\_\_\_\_

# M24STD-18

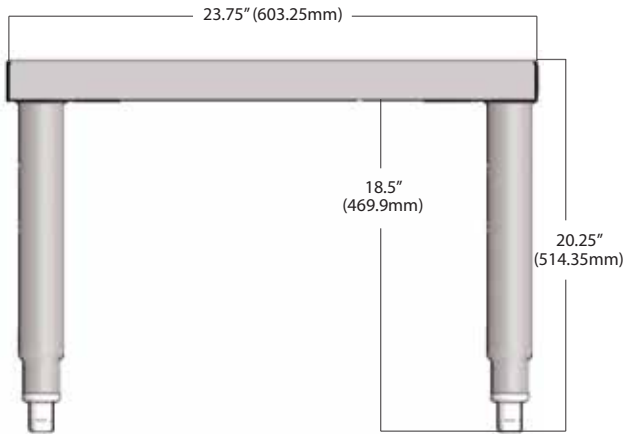
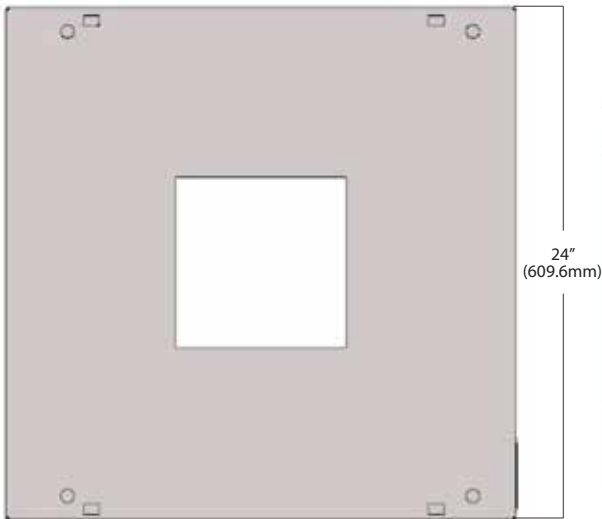
## Models

M24STD-18



## Standard Features

- Designed for use with undercounter units
- Durable stainless steel construction
- Easy to assemble
- Provides clearance under the unit for ease of cleaning floors



## Specifications

The M24STD-18 Dishmachine Stand provides a sturdy and safe method of elevating typical undercounter units for use in free standing applications. Constructed of durable stainless steel in both the body and the legs, it is designed to be corrosion resistant. By using the feet of the undercounter unit as a means of mounting, it is remarkable secure and stable.

## Shipping Info

The M24STD-18 is shipped in a 24" (609mm) x 24" (609mm) x 6" (152mm) container and weighs approximately 32 lbs (14.5 kg). Shipping is normally through UPS Ground.



### Jackson WWS, Inc.

Shipping Address: 6209 North U.S. Highway 25E, Gray, KY 40734  
 Mailing Address: P.O. Box 1060, Barbourville, KY 40906  
 Telephone: 888-800-5672 • Fax: 606-523-1799  
 Email: info@jacksonwws.com  
 07610-004-28-96 [12/01/15]

[www.jacksonwws.com](http://www.jacksonwws.com)