

# Self-Contained Direct Draw Coolers

## Refrigeration



DB60L-SSS-LR  
shown with optional  
stainless steel doors



### Standard Features

- 36"H, 25" Front to Back Depth
- Additional beer tower options: up to 8 taps, four sixtels per door
- Available in standard door sizes 36", 60", 72", 84" & 108"
- Available in narrow door size 52"
- Coved corner stainless steel interior
- Reinforced stainless steel keg floor and built-in kickplate for durability
- Stainless steel handles with built-in locks
- DynamicChill 360° Technology
- Heated mullion to minimize condensation
- Digital thermostat
- Standard operating range of 30°-40°F (Set at 35°F) unless specified
- Pre-drilled bottom for optional casters (uses 1/4"-20 self tapping 1/2" L screw)
- R290 Hydrocarbon Refrigerant
- Eco-friendly Refrigerant and Insulation
- 5-Year Compressor Warranty
- 1-Year Parts & Labor Warranty

### Specifications

<b>Electrical</b>	<ul style="list-style-type: none"> <li>▪ 115V, 1 Phase, 60 Hz</li> <li>▪ Furnished with 8 ft. plug-in cord, which exists left or right rear of cooler</li> <li>▪ NEMA 5-15P plug configuration</li> <li>▪ Dedicated 15 Amp circuit recommended</li> </ul>
	<ul style="list-style-type: none"> <li>▪ 1 Door Units (36"): 1.7 amps, 1/5 HP</li> <li>▪ 2 Door Units (52"): 2.2 amps, 1/4 HP</li> <li>▪ 2 Door Units (60"): 2.2 amps, 1/4 HP</li> <li>▪ 3 Door Units (72"): 2.2 amps, 1/4 HP</li> <li>▪ 3 Door Units (84"): 2.7 amps, 1/3 HP</li> <li>▪ 4 Door Units (108"): 2.8 amps, 1/3 HP</li> </ul>
<b>Refrigeration</b>	<ul style="list-style-type: none"> <li>▪ R290 Hydrocarbon Refrigerant</li> <li>▪ 30°F - 40°F operating range</li> <li>▪ Digital thermostat on front grille</li> </ul>
<b>Plumbing</b>	<ul style="list-style-type: none"> <li>▪ No drain required</li> <li>▪ Condensate evaporator pan included</li> <li>▪ 1/2" drain line provided from beer drainer exits bottom front of refrigeration compartment</li> </ul>
<b>Insulation</b>	<ul style="list-style-type: none"> <li>▪ 2" thick foamed-in-place polyurethane</li> </ul>
<b>Interior</b>	<ul style="list-style-type: none"> <li>▪ 20 gauge stainless steel walls with coved corners</li> <li>▪ Removable corrugated stainless steel floor racks</li> <li>▪ Standard door opening: 19-3/4"W x 29-11/16"H</li> <li>▪ Narrow door opening: 15-3/4"W x 29-11/16"H</li> </ul>

<b>Exterior</b>	<ul style="list-style-type: none"> <li>▪ Sides: 20 gauge stainless steel</li> <li>▪ Front: 20 gauge stainless steel or black vinyl</li> <li>▪ Back: 20 gauge galvanized steel</li> <li>▪ Top: 1" stainless steel top</li> <li>▪ Up to 4 faucets: 16-1/4" x 15" drainer</li> <li>▪ 5-10 faucets: 28-1/4" x 15" drainer</li> </ul>
	<ul style="list-style-type: none"> <li>▪ Standard Door models: 24"W doors</li> <li>▪ Narrow Door models: 20"W doors</li> </ul>
<b>Doors</b>	<ul style="list-style-type: none"> <li>▪ Black Vinyl standard door finish (Stainless Steel upgrade available)</li> <li>▪ Stainless steel handles with built-in locks</li> </ul>
<b>Faucets</b>	<ul style="list-style-type: none"> <li>▪ 1 Door Units (36"): 1 Faucet</li> <li>▪ 2 Door Units (52"): 2 Faucets</li> <li>▪ 2 Door Units (60"): 2 Faucets</li> <li>▪ 2 Door Units (72"): 3 Faucets</li> <li>▪ 4 Door Units (84"): 4 Faucets</li> <li>▪ 4 Door Units (108"): 5 Faucets</li> </ul>
	<ul style="list-style-type: none"> <li>▪ Additional beer tower options available, up to 8 taps, four sixtels per door</li> </ul>
<b>Keg Capacity</b>	<ul style="list-style-type: none"> <li>▪ Please check our website for full list of keg capacity configurations</li> </ul>

\*This equipment is intended for the storage and display of non-potentially hazardous bottle or canned products only.\*

This equipment is intended for use in an area where the ambient temperature typically does not exceed 75 °F.

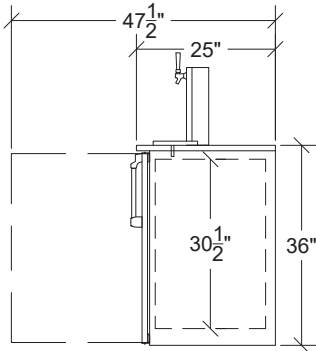


## Self-Contained Direct Draw Coolers

Refrigeration

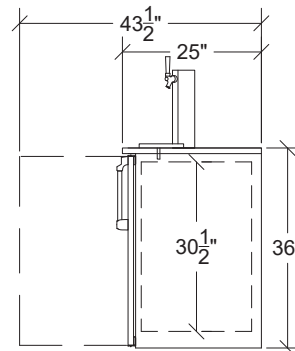
### Standard Door Side View

Applies to Models beginning DB36, DB60, DB72, DB84, DB108



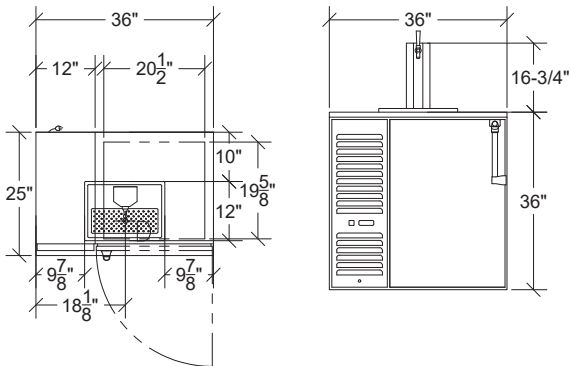
### Narrow Door Side View

Applies to Models beginning DB52



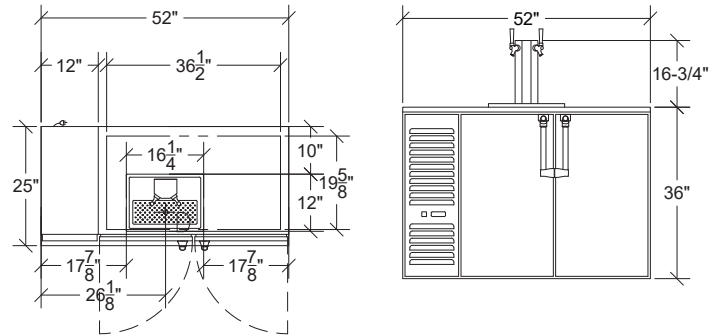
### One Door (36")

Models beginning DB36  
235 lbs. (250 lbs. with top)



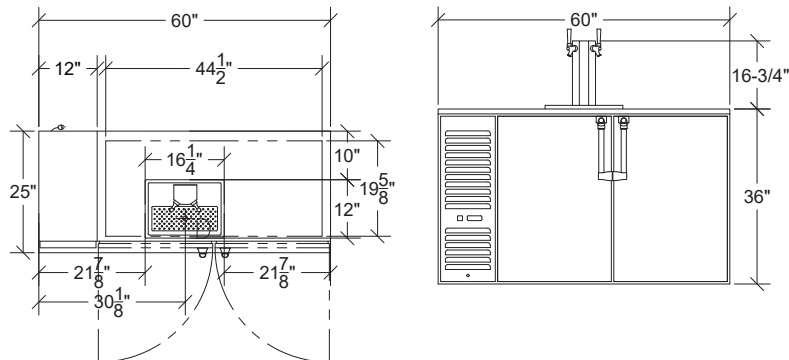
### Two Door (52")

Models beginning DB52



### Two Door (60")

Models beginning DB60  
360 lbs. (380 lbs. with top)

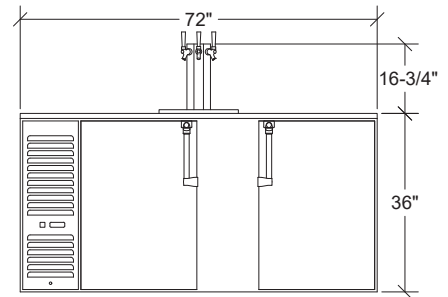
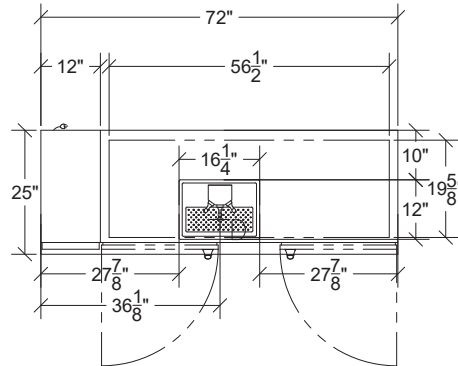


## Self-Contained Direct Draw Coolers

Refrigeration

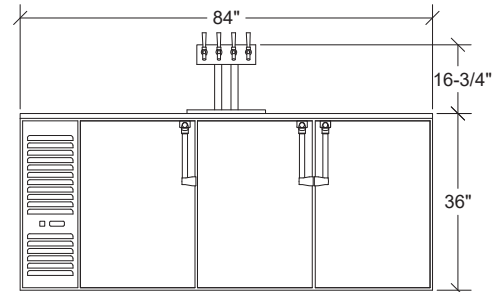
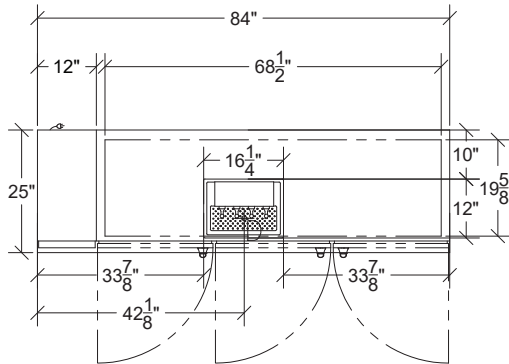
### Two Door (72")

Models beginning DB72  
480 lbs. (505 lbs. with top)



### Three Door (84")

Models beginning DB84  
525 lbs. (580 lbs. with top)



### Four Door (108")

Models beginning DB108

