



# STAINLESS STEEL 10" WIDE FOOD TABLE SOLID TRAY SHELVES Stationary & Drop-Down



Item #: _____	Qty #: _____
Model #: _____	
Project #: _____	

### FEATURES:

Fits hot and cold food tables.  
Solid tray design.

**Stationary Tray Shelves** include fixed brackets.

**Drop-down Tray Shelves** include drop-down brackets.

### MATERIALS:

**Shelf:** 18 gauge stainless steel

**Brackets for Stationary Shelf:** 16 gauge stainless steel

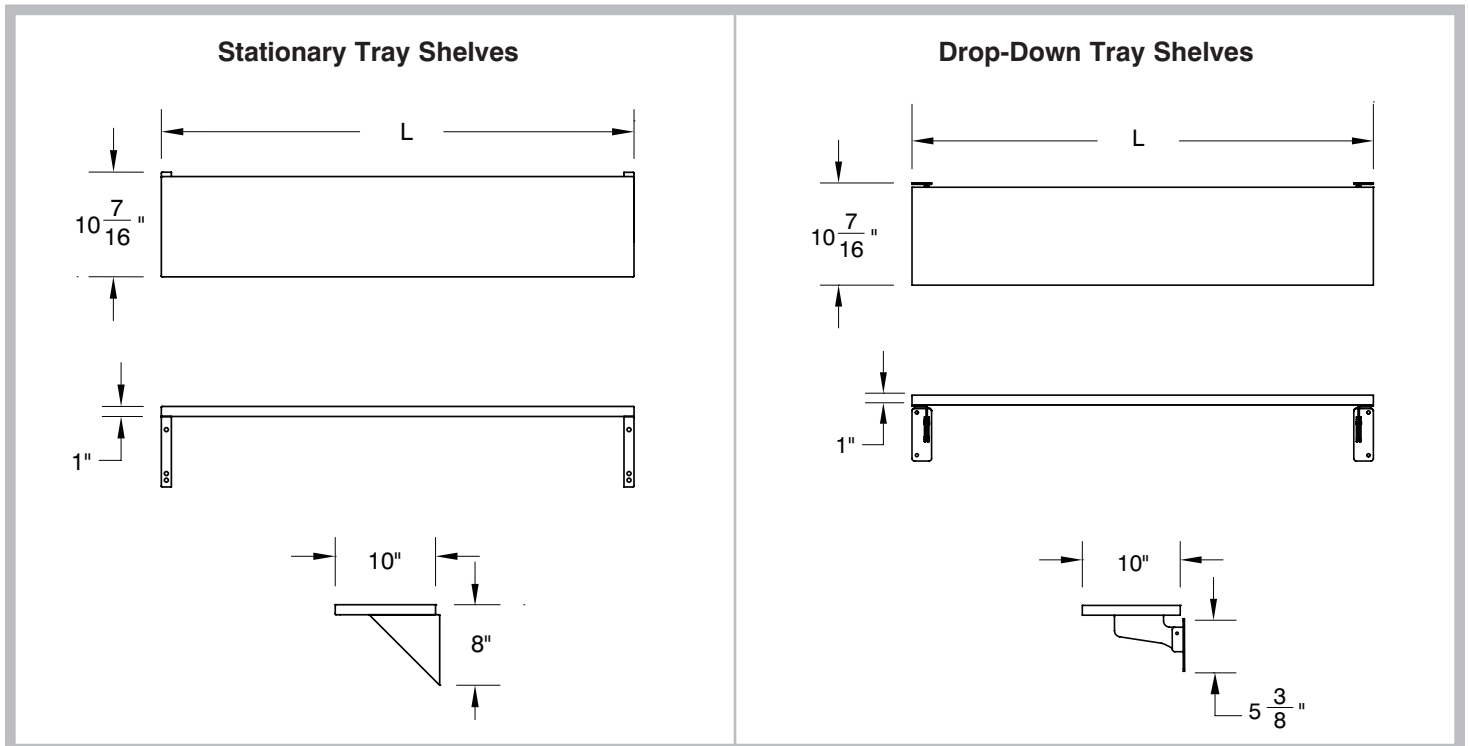
**Brackets for Drop-Down Shelf:** 10 gauge stainless steel

STATIONARY		DROP-DOWN		Length (L)	Cubic Feet
MODEL	Weight	MODEL	Weight		
TTS-2	9 lbs.	TTS-2D	11 lbs.	31-13/16"	1
TTS-3	12 lbs.	TTS-3D	14 lbs.	47-1/8"	1
TTS-4	15 lbs.	TTS-4D	17 lbs.	62-7/16"	2
TTS-5	18 lbs.	TTS-5D	20 lbs.	77-3/4"	2
TTS-6	21 lbs.	TTS-6D	21 lbs.	93-1/16"	2

## DETAILS and SPECIFICATIONS

TOL Overall: ± .500" Interior: ± .250"

ALL DIMENSIONS ARE TYPICAL



**Customer Service Available To Assist You 1-800-645-3166 8:30 am - 7:00 pm E.S.T.**

For Orders & Customer Service:  
Email: [customer@advancetabco.com](mailto:customer@advancetabco.com) or Fax: 631-242-6900

For Smart Fabrication™ Quotes:  
Email: [smartfab@advancetabco.com](mailto:smartfab@advancetabco.com) or Fax: 631-586-2933