

Project: _____	AIA# _____
Item #: _____ Qty: _____	SIS# _____
Model #: _____	

Soda Manifold Housings

SMHA-4, SMHA-4-ED, SMHA-6, SMHA-6-ED,
 SMHB-4, SMHB-4-ED, SMHB-6, SMHB-6-ED,
 SMHP-4, SMHP-4-ED, SMHP-6, SMHP-6-ED



Intertek
 4004503
 Conforms to ANSI/NSF STD 2

SMHA-4

Standard Features

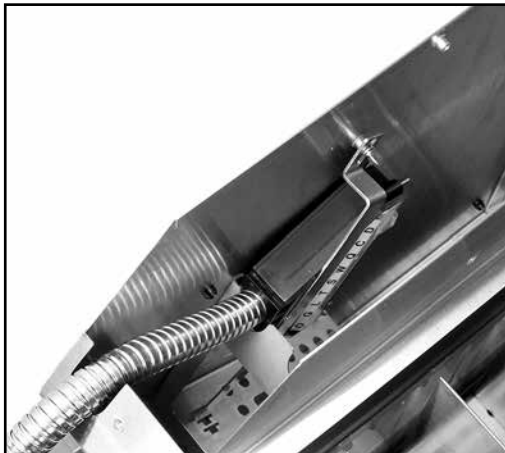
- Stainless steel construction
- Designed to house the manifold of Wunder-Bar® or Schroeder America™ 8 to 14 button soda guns
- Once installed, the top of the housing is 34" high
- Top cover is removable for access to the soda manifold
- Eliminates the need for tubing bundles above the work surface
- Mounts to an adjacent piece of underbar (there is no provision for leg mounting)
- The soda gun drip cup supplied by the soda gun manufacturer mounts to the underside of your bar top.
- Extra deep "-ED" models available to align with extra-deep style ice bins

Specifications

Materials

- 20 gauge stainless steel parts include: all components unless otherwise noted

To view cleaning and care instructions, please visit:
https://www.glastender.com/PDF/F-423-011_ss_clean_care.pdf



SMHA-4 with top cover removed and soda manifold installed.

Installation photo showing soda gun drip cup mounted below bar top.



Glastender, Inc. • 5400 N Michigan Rd • Saginaw, MI • 48604-9780
 989.752.4275 • 800.748.0423 • Fax 989.752.4444
www.glastender.com

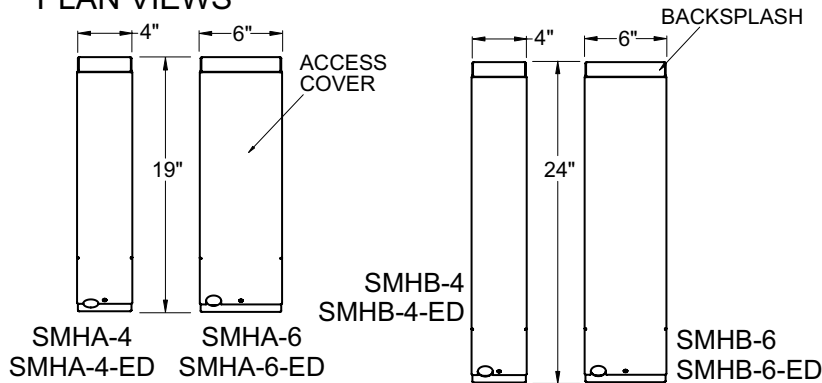
Approval/Notes:

Specifications subject to change without notice. For current specifications please visit our website.

Soda Manifold Housings

Dimensional Information

PLAN VIEWS



NOTE: Soda Gun is not included



FRONT VIEWS

SIDE ELEVATIONS

