



T&S BRASS AND BRONZE WORKS, INC.
 2 Saddleback Cove / P.O. Box 1088
 Travelers Rest, SC 29690

Model No.
BF-0299-24DJ

Item No.

Travelers Rest, SC: 800-476-4103 • Simi Valley, CA: 800-423-0150 • Fax: 864-834-3518 • www.tsbrass.com

This Space for Architect/Engineer Approval

Job Name _____ Date _____

Model Specified _____ Quantity _____

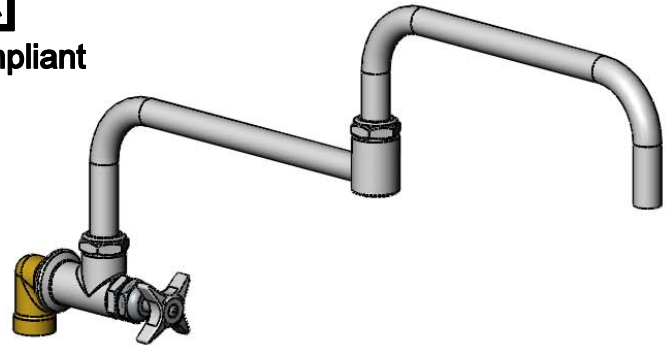
Customer/Wholesaler _____

Contractor _____

Architect/Engineer _____



ADA Compliant



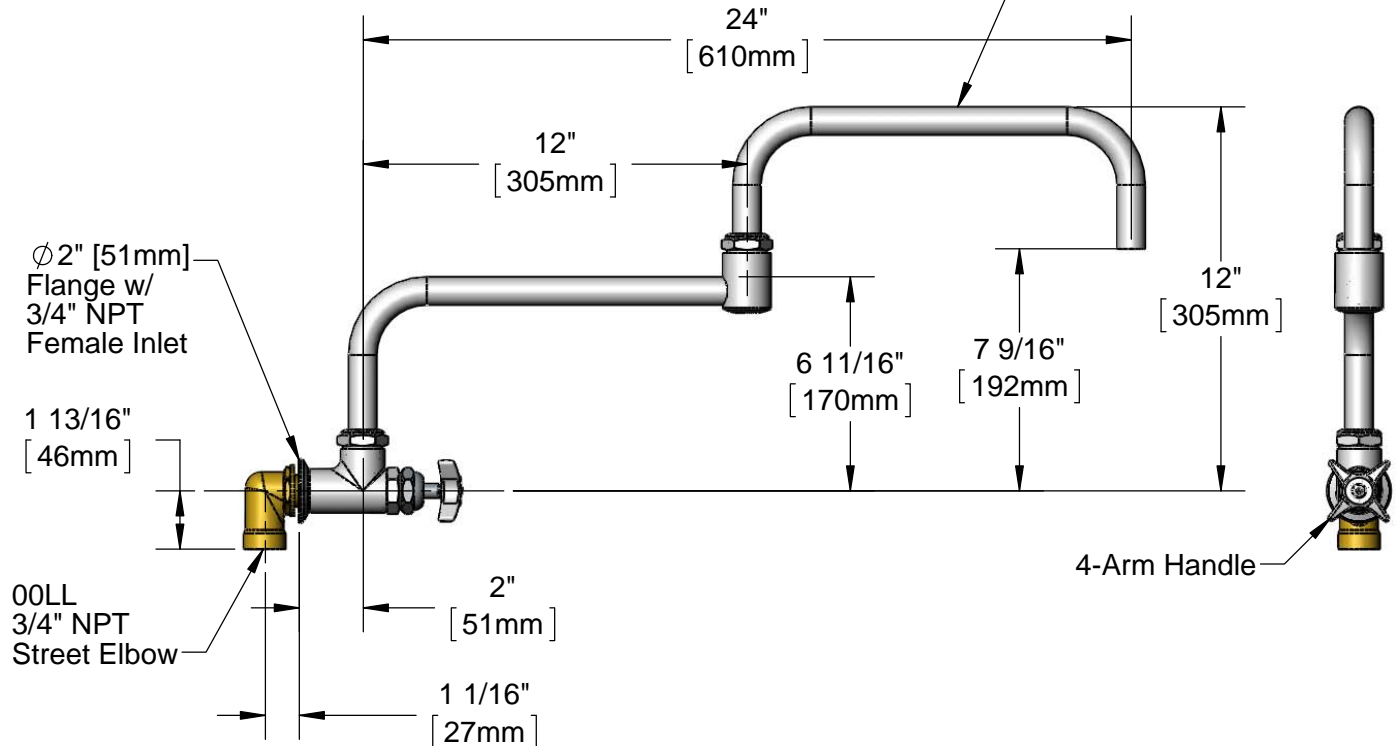
1/8" [4mm]
 Maximum Thickness

Mounting Surface

Fits Within
 2" [51mm]
 Space



24" Big-Flo Double
 Joint Nozzle w/ Plain End



Rough-In Requirement:
 Ø 1 1/4" [32mm] Hole

Product Specifications:
 Single Wall Mount Big-Flo Faucet w/ 24" Double Joint Nozzle,
 4-Arm Handle & 3/4" Street Elbow

Drawn DMH	Checked JRM	Approved JHB
Scale: 1:6		Date: 10/18/12



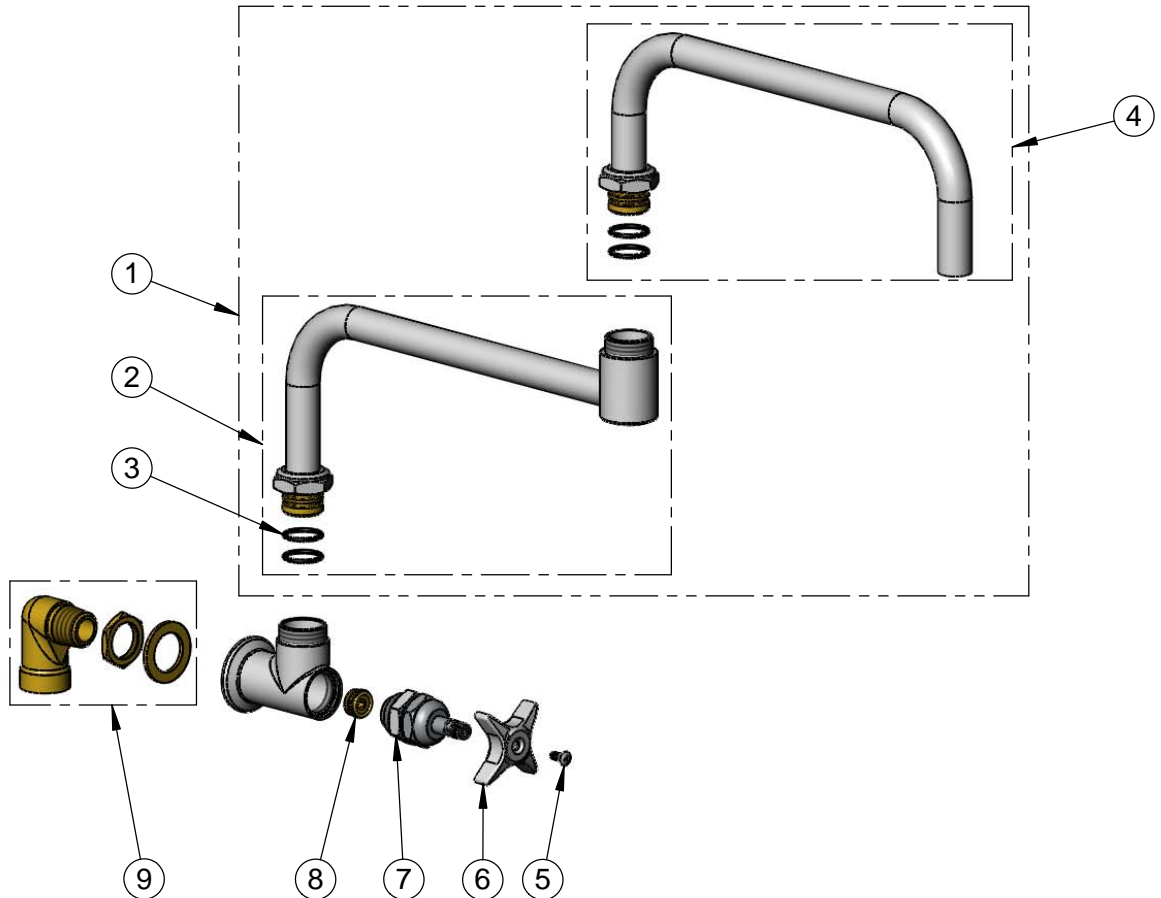
T&S BRASS AND BRONZE WORKS, INC.
 2 Saddleback Cove / P.O. Box 1088
 Travelers Rest, SC 29690

Model No.
BF-0299-24DJ

Item No.

Travelers Rest, SC: 800-476-4103 • Simi Valley, CA: 800-423-0150 • Fax: 864-834-3518 • www.tsbrass.com

ITEM NO.	SALES NO.	DESCRIPTION
1	116X	24" Big-Flo Double Joint Nozzle
2	118X	12" Back Section
3	001068-45	O-ring
4	117X	12" Front Section
5	000922-45	Lever Handle Screw
6	002521-45	4-Arm Handle
7	006482-40	Big-Flo Cartridge, RTC
8	000764-20	Seat, Big-Flo
9	00LL	3/4" Street Elbow Inlet



Product Specifications:
 Single Wall Mount Big-Flo Faucet w/ 24" Double Joint Nozzle,
 4-Arm Handle & 3/4" Street Elbow

Drawn DMH	Checked JRM	Approved JHB
Scale: NTS		Date: 10/18/12