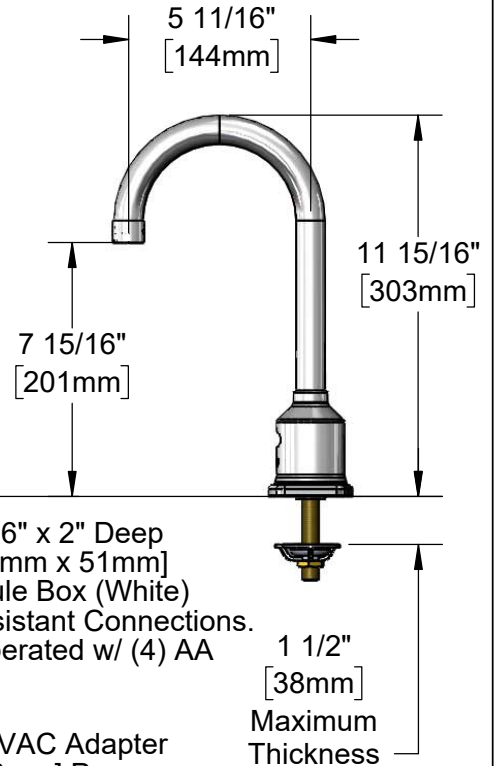
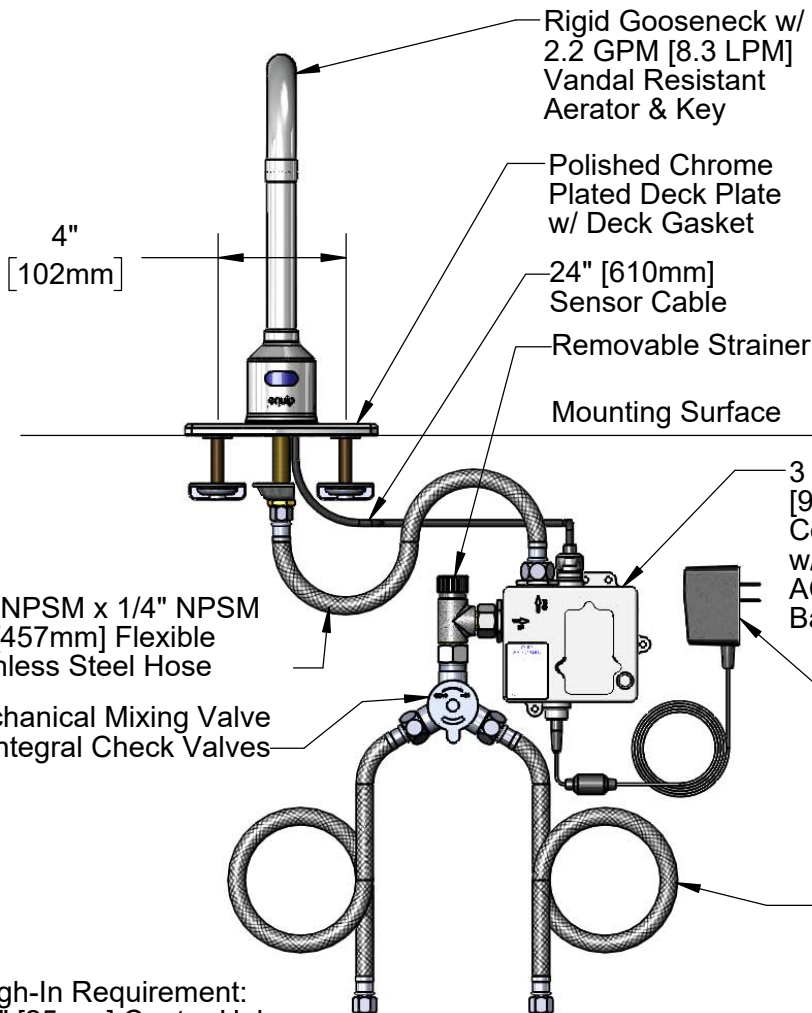
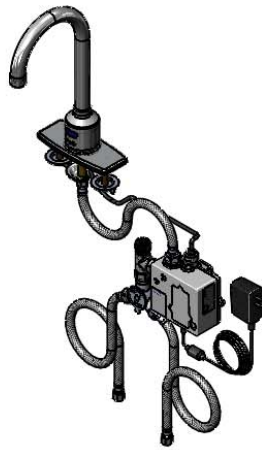
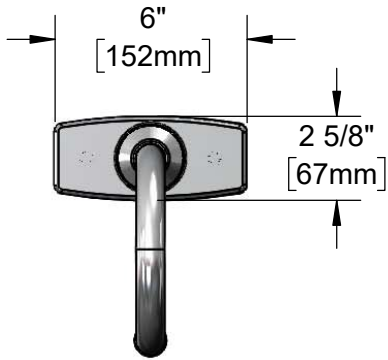


*This Space for Architect/Engineer Approval*

Job Name \_\_\_\_\_ Date \_\_\_\_\_  
 Model Specified \_\_\_\_\_ Quantity \_\_\_\_\_  
 Customer/Wholesaler \_\_\_\_\_  
 Contractor \_\_\_\_\_  
 Architect/Engineer \_\_\_\_\_



**ADA Compliant**



**Rough-In Requirement:**  
 Ø 1" [25mm] Center Hole  
 (2) Ø 1 1/8" [28mm] Side Holes

Model Number

**5EF-1D-DG-4DP**

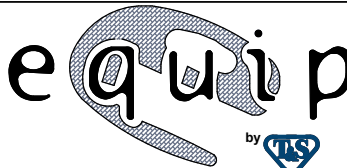
Product Specifications:

**Electronic Deck Mount Faucet, Rigid Gooseneck w/ VR 2.2 GPM Aerator, Temp. Control Mixing Valve w/ Check Valves, 4" c/c Deck Plate, (2) 18" Flexible Supply Hoses & AC-DC Control Module**

Product Compliance:

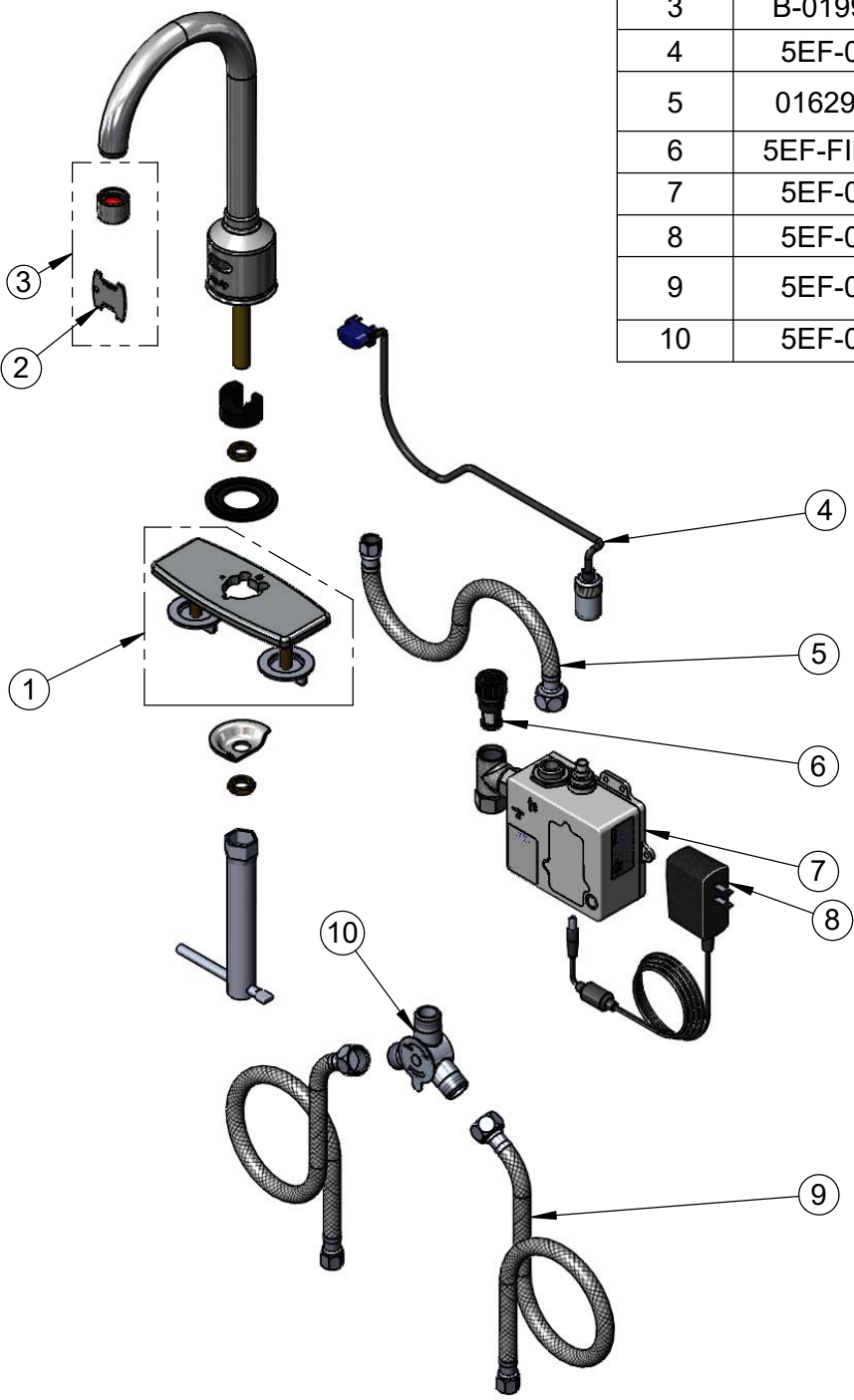
ASME A112.18.1 / CSA B125.1  
 NSF 61 - Section 9  
 NSF 372 (Low Lead Content)  
 ANSI A117.1 (ADA)  
 UL 1951

equip  
 Foodservice  
 Accessories



2 Saddleback Cove, P.O. Box 1088  
 Travelers Rest, South Carolina 29690  
 Phone: 800.891.4808 Fax: 800.868.0084  
 equip.tsbrass.com

ITEM NO.	SALES NO.	DESCRIPTION
1	013433-40	4" Universal Deck Plate, Gasket & Mounting Hardware
2	015425-45	Vandal Resistant Key
3	B-0199-06	VR 2.2 GPM Aerator w/ Key
4	5EF-0004	24" Sensor Cable
5	016297-45	Inlet Hose, Faucet, 1/2" NPSM-F x 1/4" NPSM-F
6	5EF-FILTER	Replacement Filter
7	5EF-0001	Equip Sensor Faucet Control Module
8	5EF-0002	AC Transformer, 100-240 VAC
9	5EF-0005	Supply Hose, 9/16-24 Female x 1/2" NPSM
10	5EF-0006	Mechanical Mixing Valve



Model Number  
**5EF-1D-DG-4DP**

Product Compliance:  
ASME A112.18.1 / CSA B125.1  
NSF 61 - Section 9  
NSF 372 (Low Lead Content)  
ANSI A117.1 (ADA)  
UL 1951

Product Specifications:  
**Electronic Deck Mount Faucet, Rigid Gooseneck w/ VR 2.2 GPM Aerator, Temp. Control Mixing Valve w/ Check Valves, 4" c/c Deck Plate, (2) 18" Flexible Supply Hoses & AC-DC Control Module**

equip  
Foodservice  
Accessories



2 Saddleback Cove, P.O. Box 1088  
Travelers Rest, South Carolina 29690  
Phone: 800.891.4808 Fax: 800.868.0084  
equip.tsbrass.com