

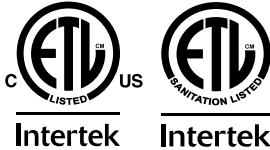
Glastender®

A family company manufacturing in the USA

www.glastender.com



C1RL48
stainless door, and top



4004503
Conforms to NSF/ANSI STD 7
and UL STD 471
Certified to CSA STD C22.2 No. 120
Listed to NSF Standard 7
for open food as a storage refrigerator

Standard Features

- Remote refrigeration
- Stainless steel interior
- Locking doors
- LED interior lighting
- Heated mullion to minimize condensation
- Stainless steel evaporator housing with separate removable evaporator drain pan

Project: _____	AIA# _____
Item #: _____ Qty: _____	SIS# _____
Model #: _____	

Coolers One Zone, Remote, Low Profile

C1RL

C1RL24, C1RL40, C1RL48, C1RL60,
C1RL72, C1RL80, C1RL96

CONFIGURATION HIGHLIGHT



Configurable Options

Temperature:

- Beer/Food - 34°F to 40°F
- White wine - 50°F to 55°F
- Red wine - 60°F to 65°F

Expansion Valve Type:

- R448A/R449A
- R134a/R513A
- R404A/R452A
- R407A/R407F

Refrigeration Hook-Up

Location:

- Left or Right

Door Style & Finish (specify per door section):

- Black vinyl-clad
- Stainless steel
- Jeweled stainless
- Laminated
- Unlaminated
- Glass, black vinyl-clad
- Glass, stainless steel
- Glass, jeweled stainless
- Glass, laminated

Door Hinge Location (specify for each door):

- Left or Right

Door Handle:

- Signature
- Pull-tab
- Tube

Shelving (specify per door section):

- Two adjustable, coated-wire shelves
- One upright and two horizontal storage pull-out wine shelf combination

Top Style:

- No finished top
- Stainless top

4" High Stainless Splashes (can only be ordered with stainless top):

- None
- Backsplash
- Left side splash
- Right side splash

Left and Right Side Finish:

- Black vinyl-clad
- Stainless steel

Back Finish:

- Galvanized steel
- Stainless steel

LED Lighting Style:

- Bright white (7,000k)
- Warm white (3,500k)
- Amber (2,700k)
- Blue

Glastender, Inc. • 5400 N Michigan Rd • Saginaw, MI • 48604-9780
989.752.4275 • 800.748.0423 • Fax 989.752.4444
www.glastender.com

Approval/Notes:

Specifications subject to change without notice. For current specifications please visit our website.

Coolers - One Zone, Remote, Low Profile

Specifications

		C1RL24	C1RL40	C1RL48	C1RL60	C1RL72	C1RL80	C1RL96
Dimensions	Length	24"	40"	48"	60"	72"	80"	96"
	Number of Sections	1	2	2	3	3	4	4
	Door Opening	20"	16"	20"	16"	20"	16"	20"
Electrical	Electrical Supply	120V, 1 phase, 60 Hz, dedicated 15A circuit required						
	Full Load Amps	1.5						
	Plug Type	No plug, hard wire connection						
Refrigeration	Refrigerant	As specified						
	Compressor	N/A						
	System Capacity Requirements	700 BTUH	1000 BTUH	1100 BTUH	1300 BTUH	1400 BTUH	1600 BTUH	1800 BTUH
Plumbing	Drains via a supplied length of six foot 1/2" ID by 5/8" OD vinyl tubing via available knock-out holes, connection made in field							
Weight Bearing Capacity	Countertops and other accessories should not exceed 500 pounds per door							

Electrical

- 14 gauge wire connection is made inside the cooler next to evaporator housing - interior access is through one of the 3/4" side knock-out holes (electrician's choice)

Materials

- Stainless steel parts include: exterior sub-top, interior, front of cabinet, hinges, hinge and lock brackets, and optional legs
- Black vinyl-clad steel parts include: standard sides, doors and compressor cover
- Galvanized steel parts include: back and bottom
- Zinc plated CR steel parts include: leg sockets

Refrigeration

- Expansion valve & temperature control included; specify type when ordering
- BTU/hr design loads are figured assuming 85° F ambient, 15° F evaporator temperature, all glass doors, maximum internal loading, and average compressor cycling, no solar heat gain has been accounted for

Capacities

	C1RL24	C1RL40	C1RL48	C1RL60	C1RL72	C1RL80	C1RL96
12 oz. bottles, cases	4.3	8.2	10.3	12.8	16.8	18.0	23.3
750ml wine bottles	36	72	84	120	132	166	180
1/2 barrel kegs	N/A	N/A	N/A	N/A	N/A	N/A	N/A
1/6 barrel kegs	N/A	N/A	N/A	N/A	N/A	N/A	N/A
Capacity values below are per door/drawer section (750ml wine bottles)							
Drawers	N/A	N/A	N/A	N/A	N/A	N/A	N/A
Upright pull-out	N/A	N/A	N/A	N/A	N/A	N/A	N/A
Horizontal pull-out	N/A	N/A	N/A	N/A	N/A	N/A	N/A
Combination pull-out	34	26	34	26	34	26	34



5400 N Michigan Rd • Saginaw, MI • 48604-9780
 989.752.4275 • 800.748.0423 • Fax 989.752.4444
 www.glastender.com

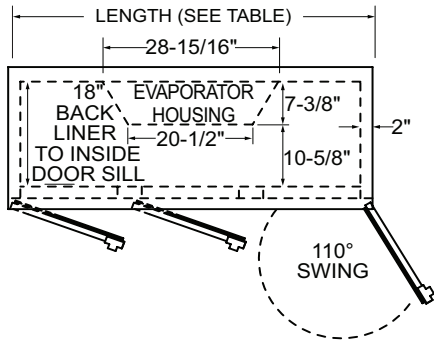
Printed in USA

Coolers - One Zone, Remote, Low Profile

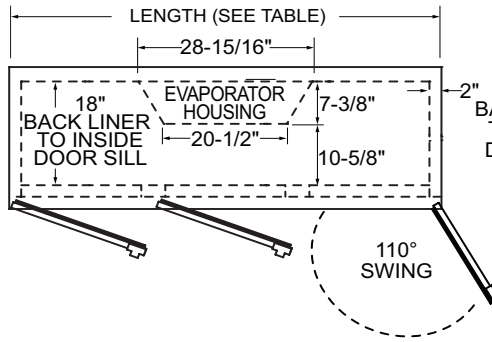
Drawings

PLAN VIEWS

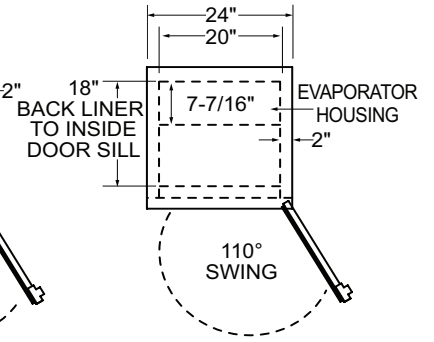
16" DOOR OPENING



20" DOOR OPENING



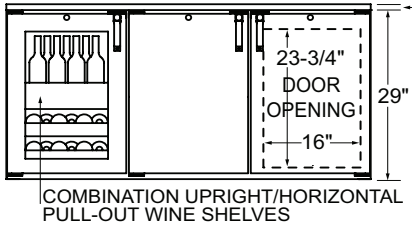
C1RL24



FRONT VIEWS

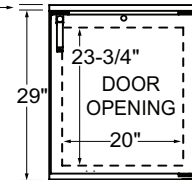
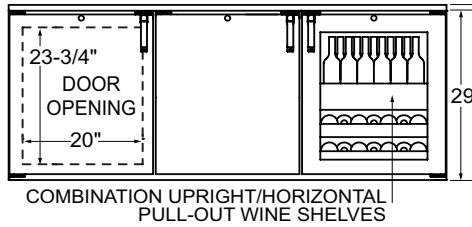
16" DOOR OPENING

ADD 1" TO HEIGHT FOR
FACTORY INSTALLED TOP



20" DOOR OPENING

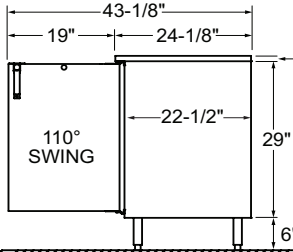
ADD 1" TO HEIGHT FOR
FACTORY INSTALLED TOP



SIDE VIEWS

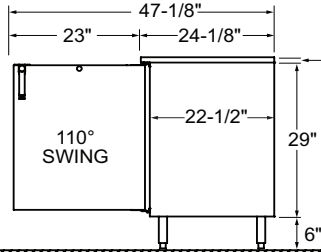
16" DOOR OPENING

ADD 1" TO HEIGHT FOR
FACTORY INSTALLED TOP



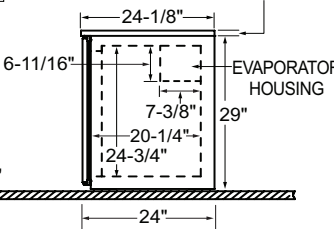
20" DOOR OPENING

ADD 1" TO HEIGHT FOR
FACTORY INSTALLED TOP

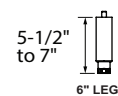


STANDARD
CABINETS

ADD 1" TO
HEIGHT FOR
FACTORY
INSTALLED TOP



OPTIONAL LEGS

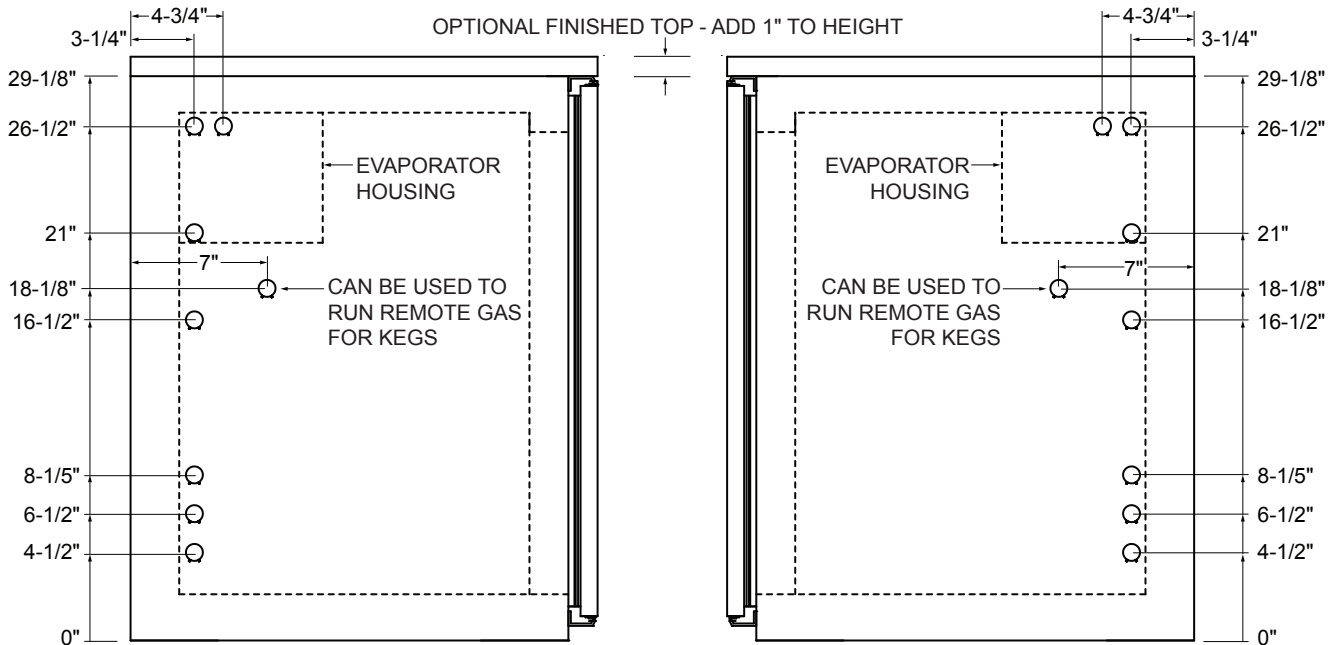


MODELS SHOWN WITH OPTIONAL 6" LEGS

Coolers - One Zone, Remote, Low Profile

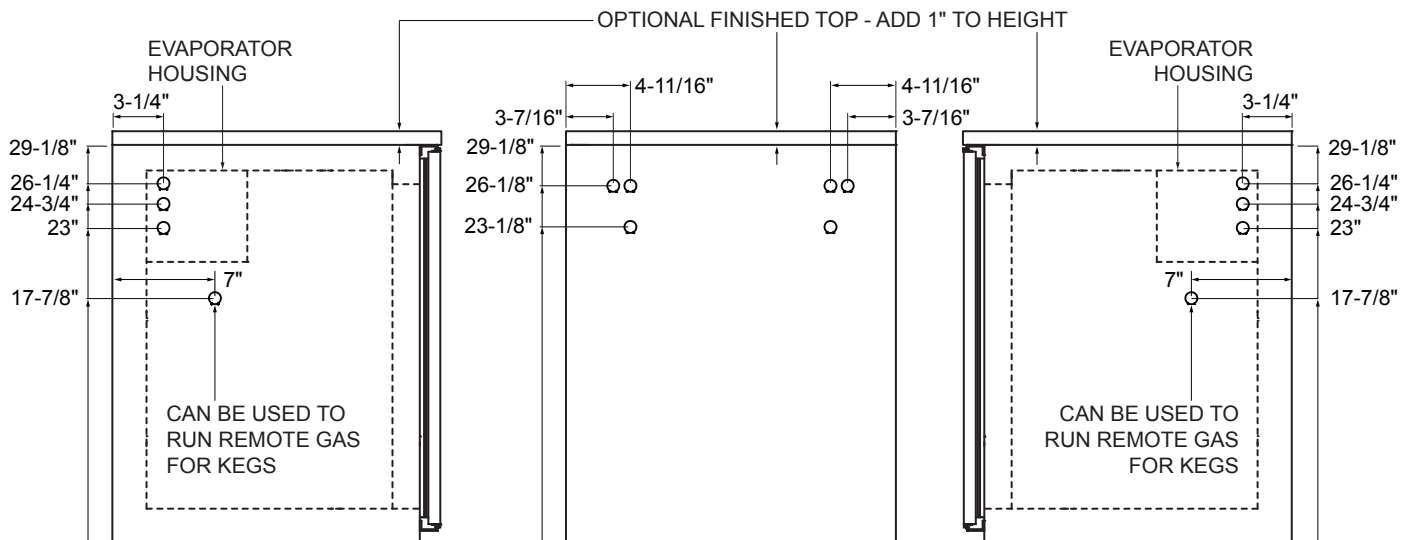
Refrigeration, Plumbing, and Electrical Access Locations

Knockout holes will appear on the side (and back of C1RL24) specified for refrigeration hook-up. The series of knockouts from top to bottom allow installation flexibility to run refrigeration lines, electrical, and drain lines in various locations. There are line covers provided on the interior of the box to cover the lines.



Left Side - C1RL40, 48, 60, 72, 80, 96

Right Side - C1RL40, 48, 60, 72, 80, 96



Left Side - C1RL24

Back - C1RL24

Right Side - C1RL24