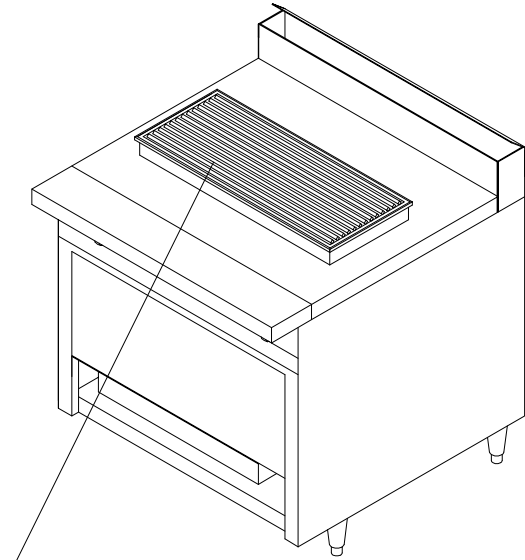


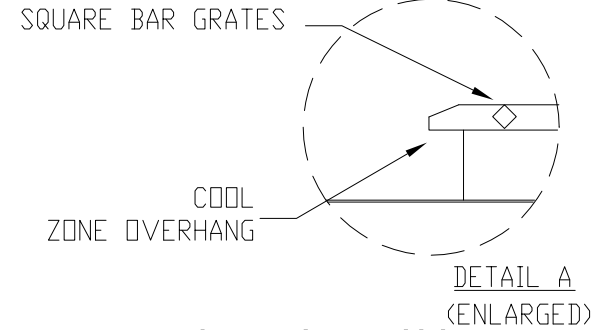
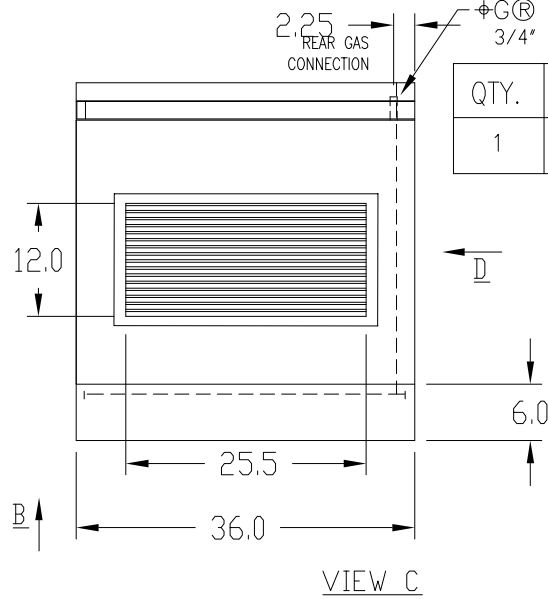
THIS DRAWING IS THE PROPERTY OF JADE PRODUCTS CO. NO PART OF THIS DOCUMENT MAY BE COPIED OR USED WITHOUT THE WRITTEN PERMISSION OF JADE PRODUCTS CO.

REVISIONS					
REV	DESCRIPTION	ECN	BY	DATE	APPROVED
D	REVISED PER REUEST		SMW	06.06.11	

QTY.	MODEL	DESCRIPTION	BTU/UNIT	AMP.
1	JTRH-36SB	SATAY, INFRARED BROILER	70,000	N/A

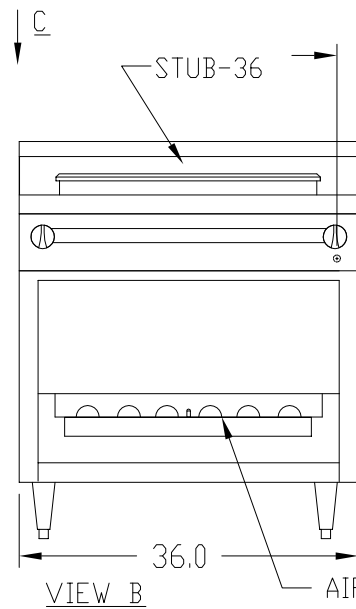


SQUARE BAR GRATES

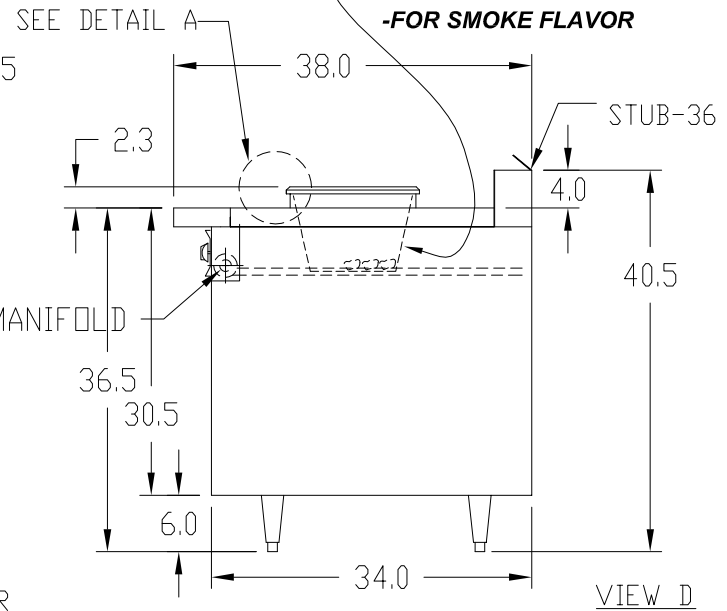


REMOVABLE STAINLESS STEEL WOOD BRIQUETTE BASKET -FOR SMOKE FLAVOR

GAS TYPE:	
ELEVATION:	
TO BE SPECIFIED BEFORE MFG.	



AIR SHUTTER TEMPERATURE CONTROL



1. $\Phi G \text{ } \frac{3}{4}$ " GAS REGULATOR & GAS CONNECTION
2. GAS SHUT-OFF VALVES AND CONNECTIONS SUPPLIED BY OTHERS.
3. ALL ELECTRICAL WORK (INSTALLATIONS AND CONNECTIONS) MUST BE PROVIDED BY OTHERS (BY CERTIFIED ELECTRICIAN)


 Jade Products Company
 2650 Orbiter St
 Brea, CA 92821

UNLESS OTHERWISE NOTED DIMENSIONS ARE IN INCHES AND TOLERANCES: .XX±.03 .XXX±.015. ANGLES ±1°				DESC JTRH-SATAY-36 SATAY UNDER-FIRED INFRARED BROILER	
MATERIAL	DRAWN	SMW	05.30.07	FOR	for
	CHECKED			SIZE	DWG NO
FINISH	APPROVED			A	JTRH-36SB
				SCALE	0.024 SHEET 1 OF 1