



V3-202

Specification Sheet

VIVREAU®



Main Bottler

Re-usable glass bottler | V3 - 202

- Dispenses chilled, still and sparkling water
- Substantially reduce costs of purchasing pre-bottled mineral waters
- Re-usable glass bottles in 425ml, 700ml, 750ml and 1 liter sizes
- Bottles can be customized
- Save the environment - eliminate regular deliveries as well as the disposal of empty bottles and packaging
- High performance ice bank refrigeration system capable of delivering very high volumes of chilled water at low temperatures, particularly at peak demand times
- Eliminate any storage issues
- Purpose designed bottle washing trays designed to fit most commercial dishwashers
- Removable tap nozzles for ease of cleaning and sanitizing
- Stainless steel drip tray with plumb to waste option
- Integral CO2 bottle



Please Read First

This Vivreau Water Dispenser is unlike any other water system you may have worked with and requires the following to install.



Millwork

Below Counter - Interior Cabinet Dimensions

Refer to graphics on page 6&7

Above Counter - Tap Head Clearance

Above system clearance height of 19.5"

NOTE: Tap must be mounted directly above the main system

Electrical

Outlets

(1) 20amp electrical circuit (5-20R) GFCI recommended 120v, 60Hz (11 amps)

CO2 (Customer supplied)

Design

Since the equipment is installed in component form, there are varying configurations for installation - Third party vents or other design solutions are okay as long as the overall size of the vented area is maintained.



Plumbing

Water Connection

1 potable 1/2" cold water supply terminating in a 1/2" ball valve with a 1/2" female pipe thread

Water Supply

- Minimum water pressure 50 PSI
- Minimum water flow 80 Gallons per hour

NOTE: Any incoming water temperature above 60°F will severely compromise the ability for the system to maintain a cold water supply

Drip Tray Drain (Optional)

A rigid vertical pipe that drains to a properly trapped drain according to local codes - must be at least 1 1/4" ID

Please refer to the rest of this document for further details regarding each specification. Contact Vivreau with any questions: +1 877 999 1044

Bottler North America V3-202 Specification Sheet

Product Dispensed:

Advanced micro-filtered, chilled still and sparkling water

Application:

For the purpose of filling Vivreau re-usable glass bottles

Equipment Dimensions:

- Width 23 3/8" Inches
- Depth 23 1/8" Inches
- Height 33 3/8" Inches (to top of cabinet height)

Cobra Tap:

- 19 1/2" (total tap height mounted) *Maximum Counter thickness for mounting cobra tap 1 1/2"

Please note that the system is installed as an under-counter unit. Alternatively it can be installed as a floor-standing unit.

Floor-standing: (alternative option)

Refer to Bottler V3-201 specification sheet.

The following services are required to be supplied by the customer and must be available prior to installation:

CO2

- CO2 - 20# canister (customer supplied) will fit inside unit, larger canisters can be connected externally (CO2 must be available for installation)
- *If connecting to a bulk or existing CO2 system a CO2 line terminating at a 1/4" barbed shutoff valve must be available within 40" of the Bottling System installation site, 100psi minimum pressure.

**CO2 Supply
1/4" Barbed Shutoff**



Electrical

- 20amp electrical circuit (5-20 R) 120V 60Hz (11 amps)

Plumbing

- 1 potable 1/2" cold water supply terminating in a 1/2" ball valve, 1/2" female pipe thread. (ball valve must be accessible for service and installation).
*The Vivreau system incorporates back flow prevention, any additional back flow devices required by local or state code must also be supplied by the customer prior to installation. There should not be any other filters/pre-filters before the Vivreau system.
- Minimum water pressure 50 PSI
- Minimum water flow 80 Gallons per hour

OPTIONAL: If the drip tray is to be plumbed to waste the customer needs to supply a rigid vertical pipe that drains to a properly trapped drain according to local codes. The vertical pipe for the drip tray must be located directly behind where the machine is to be installed and must be at least 1 1/4" ID.

Location of Services: (all services must be accessible for installation and service)

- Please ensure all services are kept within 40" of bottling system. Unless otherwise specified.
- Water shut-off valve to be located at low level. Please ensure that there is sufficient room for a 6 inch long fitting to be connected to the shut-off valve.
- Top of "optional" waste circuit should be located between 12 and 18 inches from ground level.
- The taps must be mounted on the work surface directly above the main system.

Insulation:

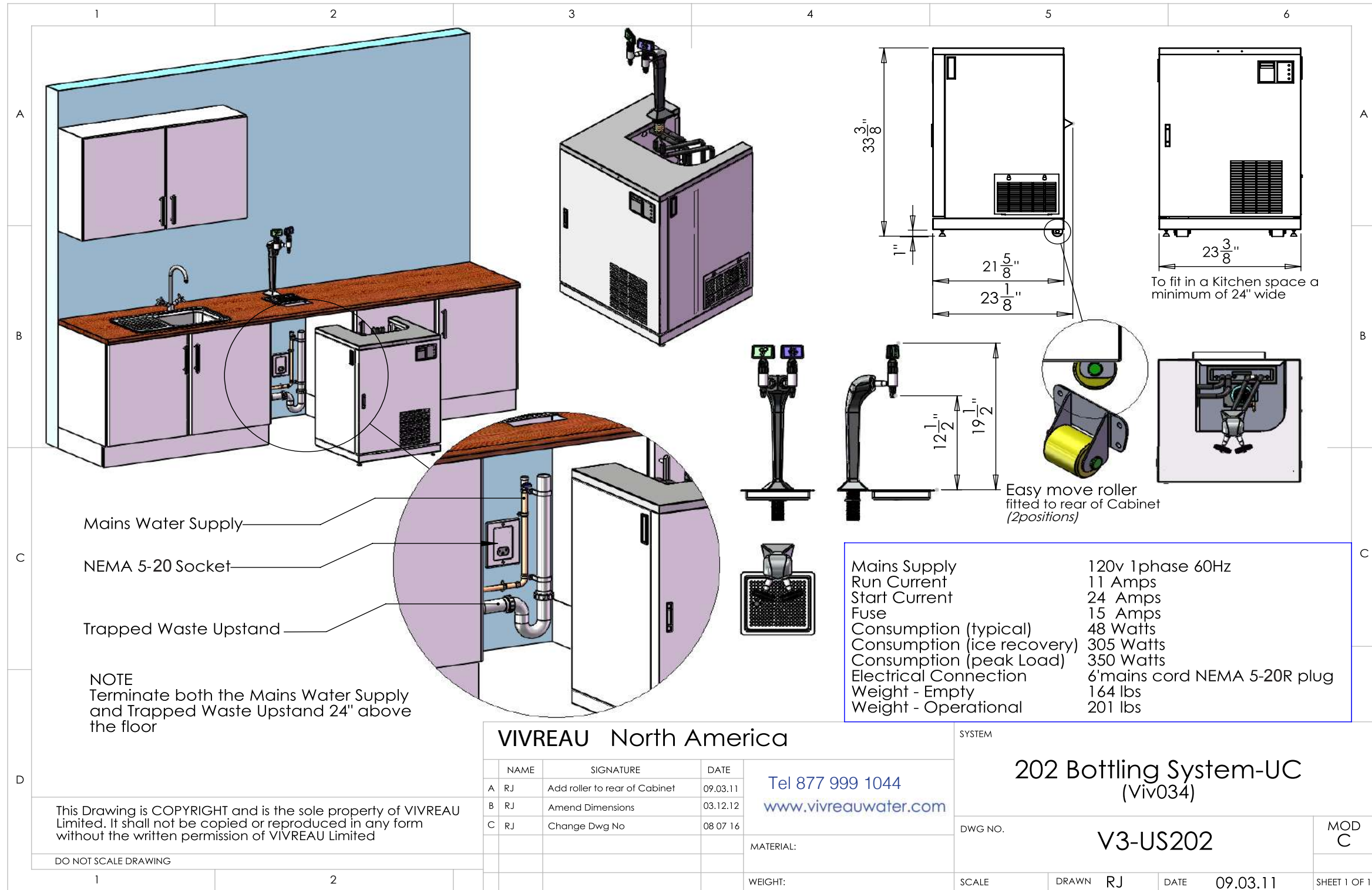
Please ensure that all water pipes feeding the Vivreau System are correctly insulated to ensure that the water does not heat up within the pipes prior to entering the Vivreau system. This is essential for water quality reasons.

If the system is to be installed in an enclosed space, adequate ventilation must be provided.

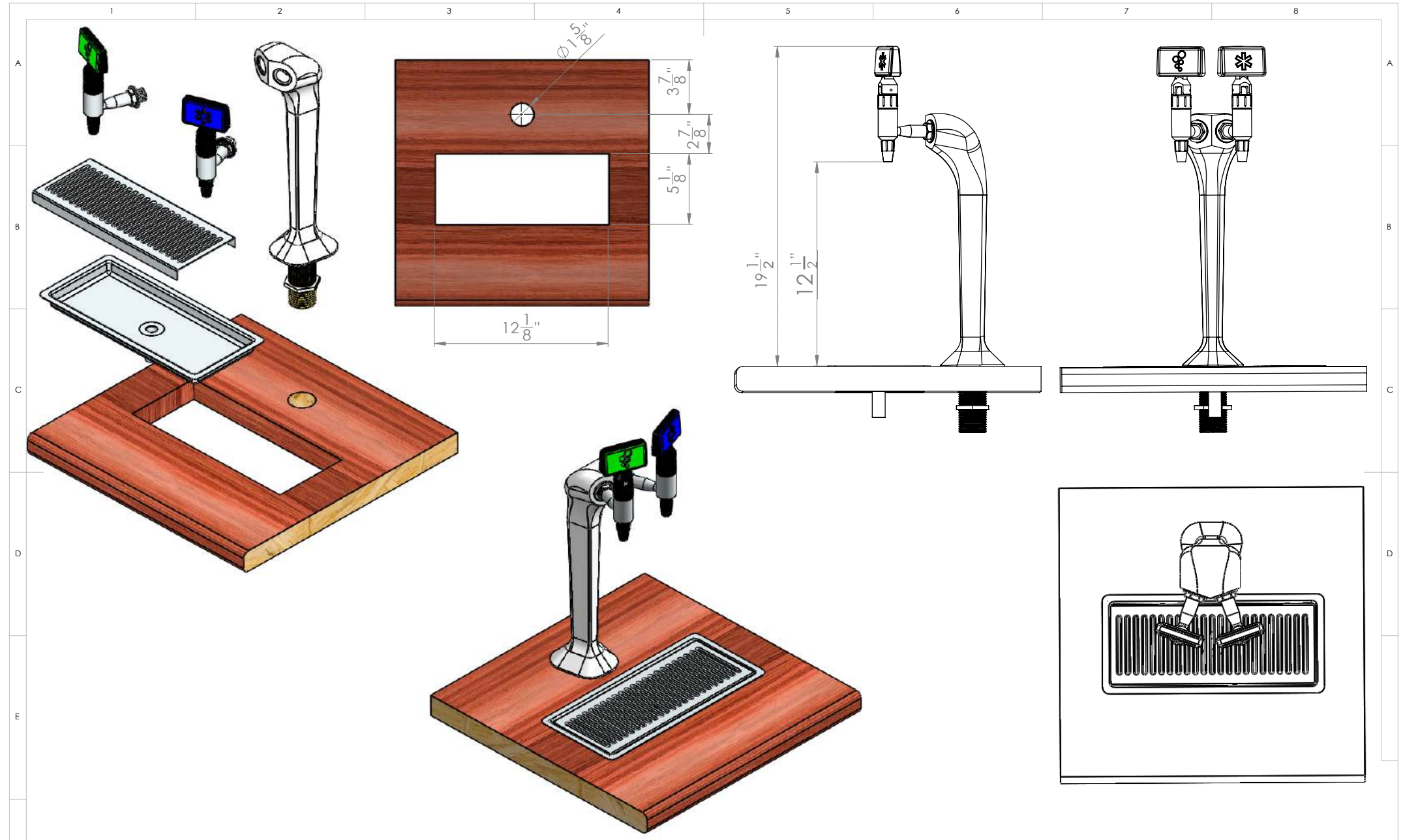
Female Water Supply
1/2" Threaded Ball Valve



Equipment Dimensions



Worktop Cutout



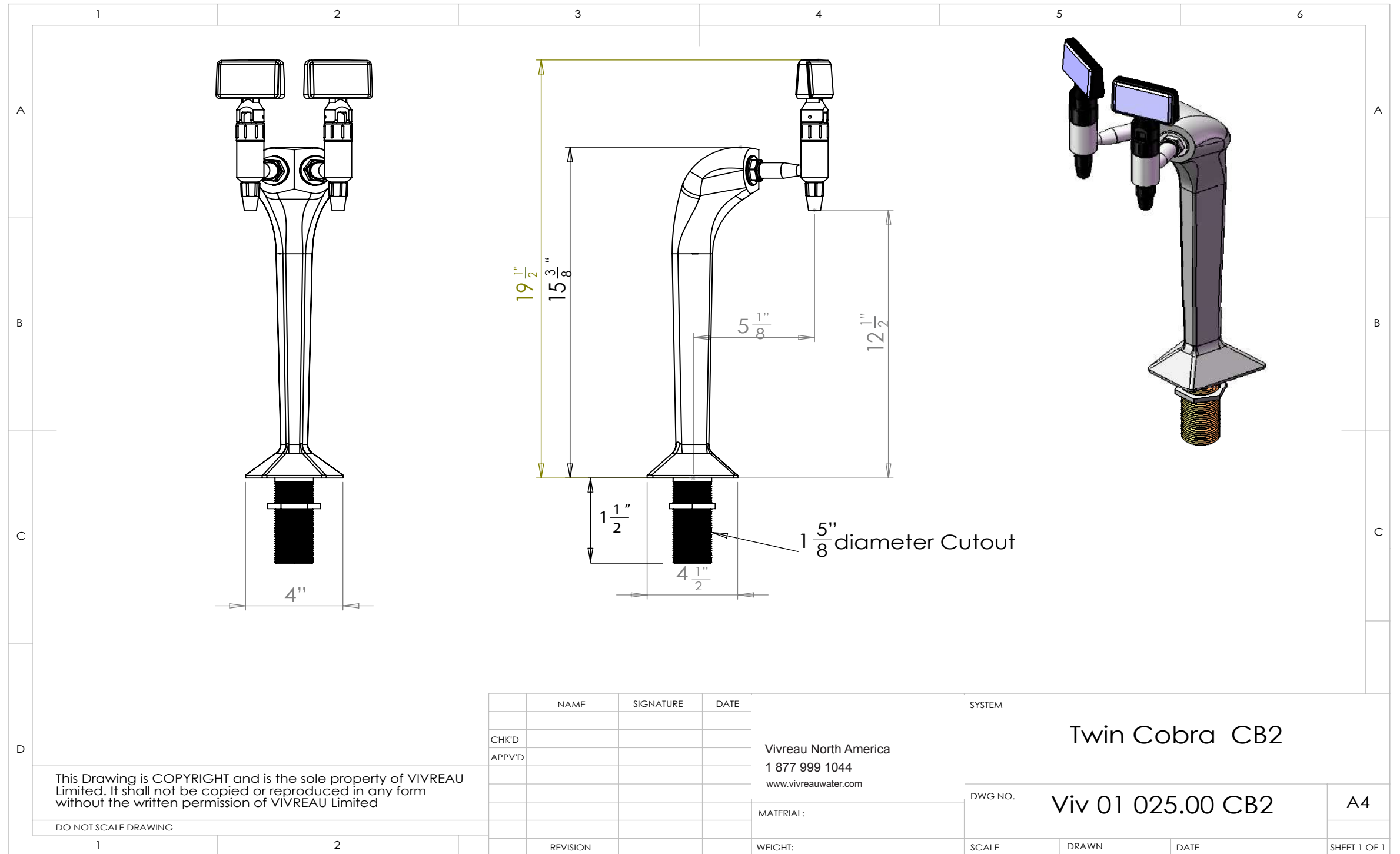
This Drawing is Copyright and is the sole property of VIVREAU LIMITED
 It shall not be copied or reproduced in any form without the express
 permission of VIVREAU LIMITED. COPYRIGHT © VIVREAU LIMITED 2011

MATERIAL:			
FINISH:			
COLOUR:			
WEIGHT:	No.	MODIFICATION	NAME/DATE
	A	General Revision	RJ 05.12.13

VIVREAU North America
 Tel 877 999 1044
www.vivreauwater.com

TITLE: Double Cobra/Recessed Tray		
DWG NO. DCT- US.04 A Data Base		
DRAWN	CHK'D	APP'VD
SCALE: 1:10	ALL DIMENSIONS IN MM	DO NOT SCALE DRAWING
		A3 SHEET 1 OF 1

Cobra Tap Dimensions



This Drawing is COPYRIGHT and is the sole property of VIVREAU Limited. It shall not be copied or reproduced in any form without the written permission of VIVREAU Limited

DO NOT SCALE DRAWING

	NAME	SIGNATURE	DATE	SYSTEM	Twin Cobra CB2		
CHK'D				Vivreau North America	Viv 01 025.00 CB2		
APPV'D				1 877 999 1044	A4		
				www.vivreauwater.com	DWG NO.	Viv 01 025.00 CB2	
				MATERIAL:	SCALE	DRAWN	DATE
				WEIGHT:			SHEET 1 OF 1
	REVISION						

VIVREAU[®]

ADVANCED WATER SYSTEMS

Contact Info

Phone Number:

+1 877 999 1044

Email:

InfoUSA@vivreau.com

InfoCanada@vivreau.com

Or visit vivreauwater.com