



**SINKS**

**SERVING THE FOOD INDUSTRY SINCE 1951**

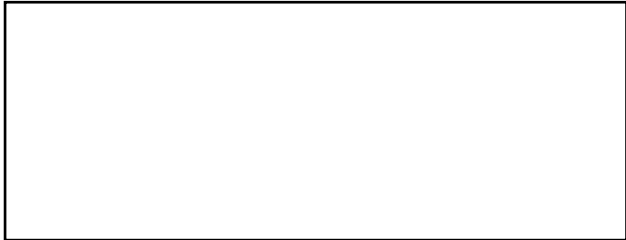
## **STAINLESS STEEL MOP SINKS WITH DRAIN BASKET**

***MOST CONVENIENT, USEFUL CLEANING TOOL FOR YOUR FLOOR MOPS***

*This floor mounted mop sink is designed to eliminate lifting of heavy mop buckets. It is made from high-quality 16-gauge 304 stainless steel for easy cleaning and lasting durability.*



**WARRANTY**



Authorized Dealer

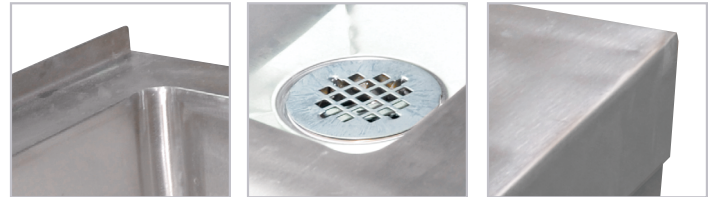
# SINKS

20" x 16" x 6" STAINLESS STEEL MOP SINK | ITEM 24412



## FEATURES

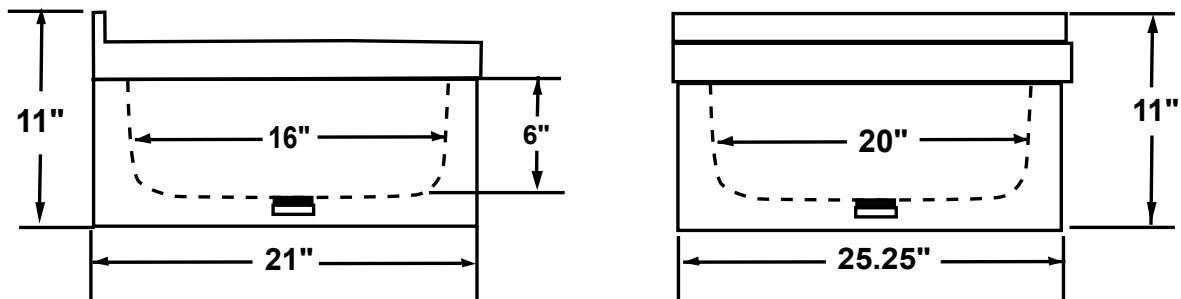
- Made with high quality 16-gauge 304 stainless steel
- Comes included with drain basket
- Drain Pipe Size: Ø 3" (Drain pipe excluded)



## TECHNICAL SPECIFICATIONS

ITEM	<b>24412</b>
DESCRIPTION	20" x 16" x 6" Stainless Steel Mop Sink with Drain Basket
BOWL DIMENSIONS (WDH)	20" x 16" x 6" / 508 x 406 x 152.4 mm
DIMENSIONS (DWH)	21" x 25.25" x 11" / 533 x 641 x 279 mm
PACKAGING DIMENSIONS	27" x 23" x 12" / 686 x 584 x 304 mm
WEIGHT	23 lbs. / 10.4 kg.
GROSS WEIGHT	27.5 lbs. / 12.47 kg.

## TECHNICAL DRAWINGS WITH DETAILED DIMENSIONS



## OMCAN INC.

Telephone: 1-800-465-0234  
 Fax: (905) 607-0234  
 E-mail: sales@omcan.com  
 Website: www.omcan.com

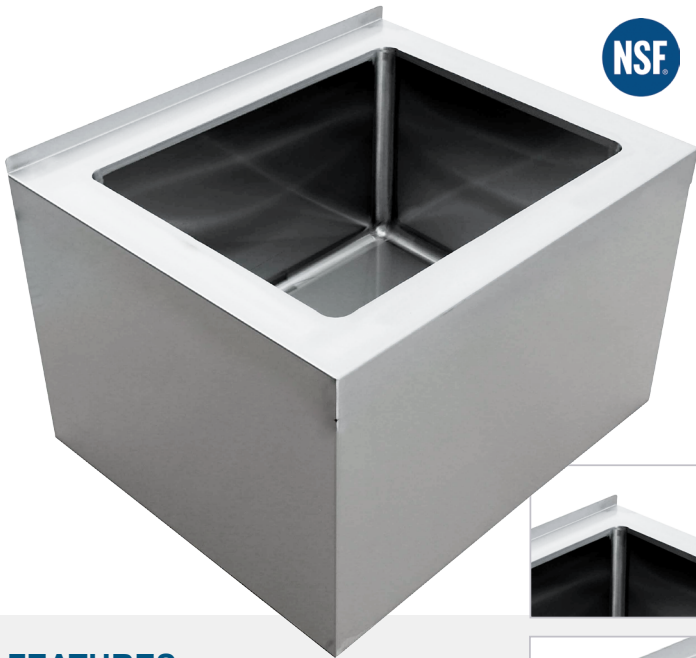


Follow us to keep up to date with the latest news and offers



# SINKS

20" x 16" x 12" STAINLESS STEEL MOP SINK | ITEM 44606

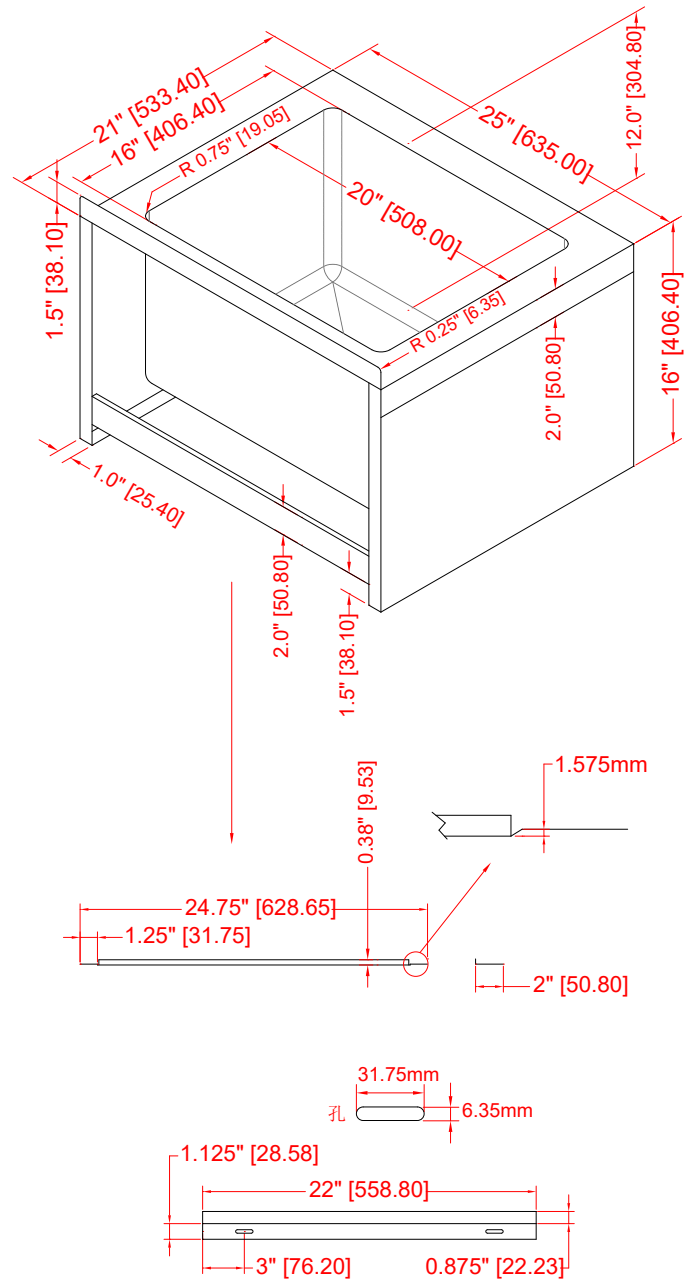


## FEATURES

- Made with high quality 16-gauge 304 stainless steel
- Comes with drain basket
- Drain Pipe Size: Ø 2.36" (Drain pipe excluded)



## TECHNICAL DRAWINGS WITH DETAILED DIMENSIONS



## TECHNICAL SPECIFICATIONS

ITEM	<b>44606</b>
DESCRIPTION	20" x 16" x 12" Stainless Steel Mop Sink with Drain Basket
BOWL DIMENSIONS (WDH)	20" x 16" x 12" 508 x 406.4 x 304.8 mm
DIMENSIONS (DWH)	21" x 25" x 16" 533.4 x 635 x 406.4 mm
PACKAGING DIMENSIONS	22" x 17" x 26" 558.8 x 431.8 x 660.4 mm
WEIGHT	35.8 lbs. / 16.23 kg.
GROSS WEIGHT	46.2 lbs. / 21 kg.

## OMCAN INC.

Telephone: 1-800-465-0234  
 Fax: (905) 607-0234  
 E-mail: sales@omcan.com  
 Website: www.omcan.com



Follow us to keep up to date with the latest news and offers



# SINKS

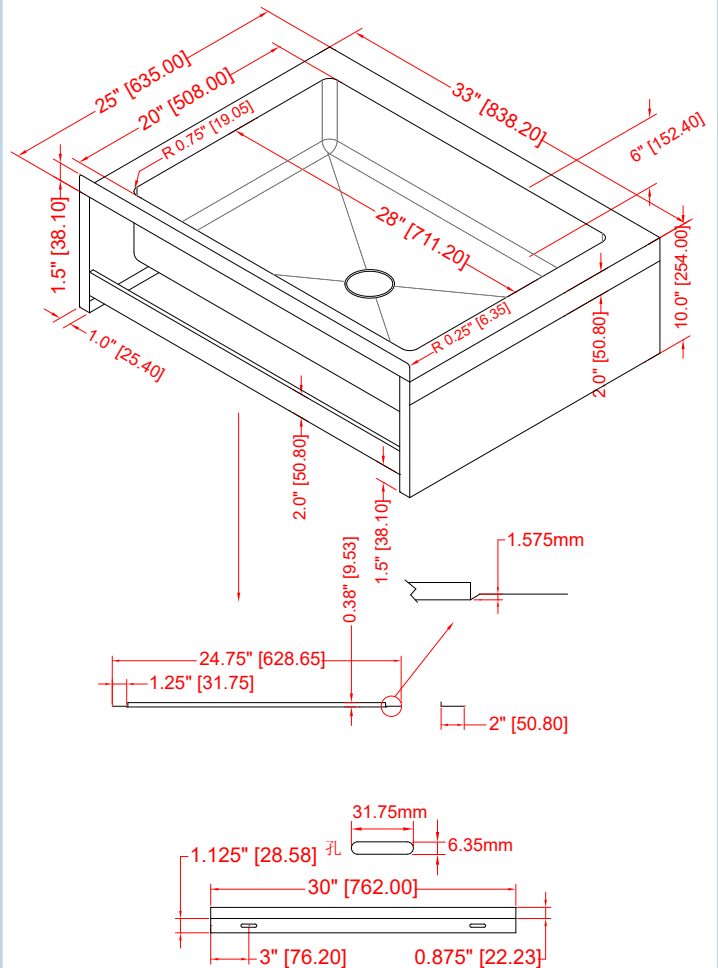
28" x 20" x 6" STAINLESS STEEL MOP SINK | ITEM 44605



## FEATURES

- Made with high quality 16-gauge 304 stainless steel
- Comes with drain basket
- Drain Pipe Size: Ø 2.36" (Drain pipe excluded)

## TECHNICAL DRAWINGS WITH DETAILED DIMENSIONS



## TECHNICAL SPECIFICATIONS

ITEM	<b>44605</b>
DESCRIPTION	28" x 20" x 6" Stainless Steel Mop Sink with Drain Basket
BOWL DIMENSIONS (WDH)	28" x 20" x 6" 711.2 x 508 x 152.4 mm
DIMENSIONS (DWH)	25" x 33" x 10" 635 x 838.2 x 254 mm
PACKAGING DIMENSIONS	26" x 12" x 34" 660.4 x 304.8 x 863.6 mm
WEIGHT	37.4 lbs. / 17 kg.
GROSS WEIGHT	44 lbs. / 20 kg.

## OMCAN INC.

Telephone: 1-800-465-0234  
 Fax: (905) 607-0234  
 E-mail: sales@omcan.com  
 Website: www.omcan.com



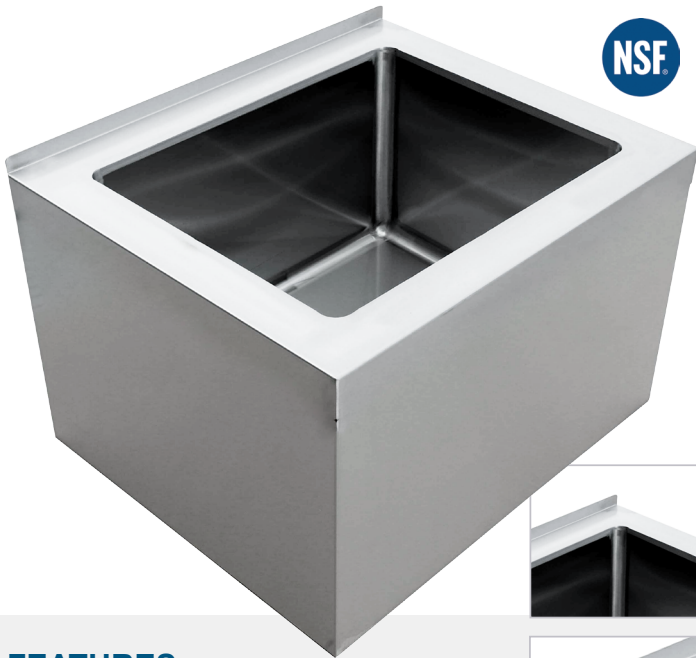
Follow us to keep up to date with the latest news and offers





# SINKS

28" x 20" x 12" STAINLESS STEEL MOP SINK | ITEM 44607

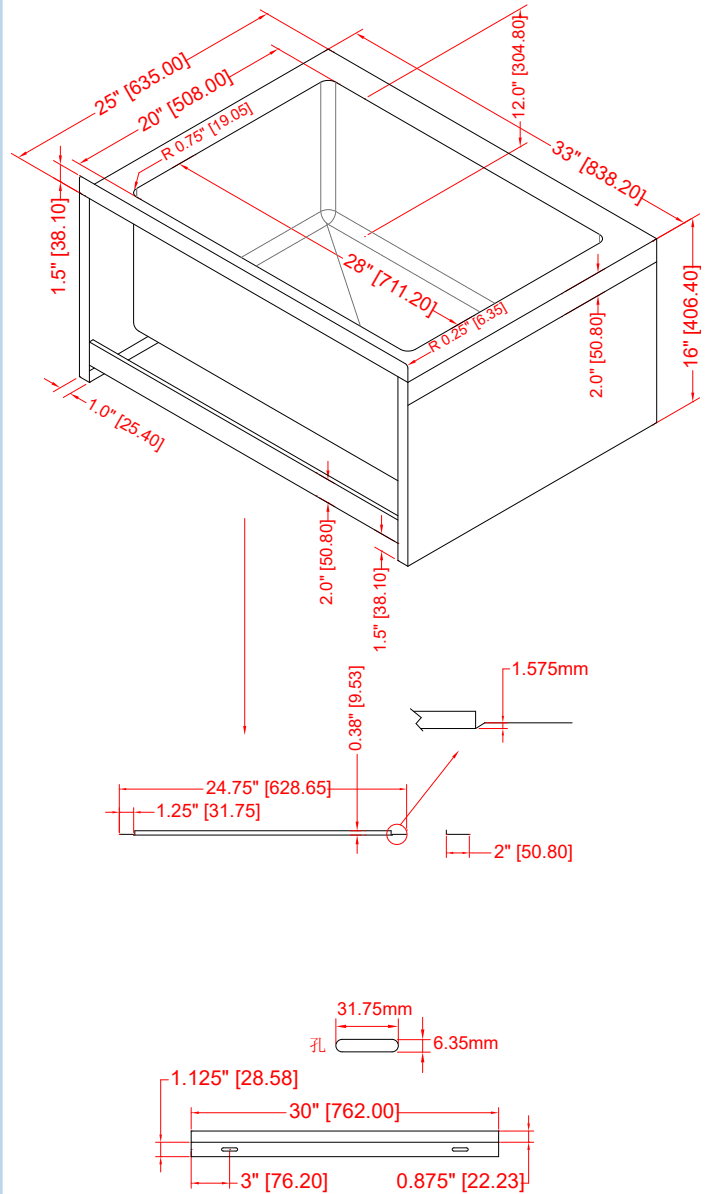


## FEATURES

- Made with high quality 16-gauge 304 stainless steel
- Comes with drain basket
- Drain Pipe Size: Ø 2.36" (Drain pipe excluded)



## TECHNICAL DRAWINGS WITH DETAILED DIMENSIONS



## TECHNICAL SPECIFICATIONS

ITEM	44607
DESCRIPTION	28" x 20" x 12" Stainless Steel Mop Sink with Drain Basket
BOWL DIMENSIONS (WDH)	28" x 20" x 12" 711.2 x 508 x 304.8 mm
DIMENSIONS (DWH)	25" x 33" x 16" 635 x 838.2 x 406.4
PACKAGING DIMENSIONS	26" x 17" x 34" 660.4 x 431.8 x 863.6 mm
WEIGHT	67.1 lbs. / 30.4 kg.
GROSS WEIGHT	75.9 lbs. / 34.4 kg.

## OMCAN INC.

Telephone: 1-800-465-0234  
 Fax: (905) 607-0234  
 E-mail: sales@omcan.com  
 Website: www.omcan.com



Follow us to keep up to date with the latest news and offers

