

Project: _____

Item: _____

Quantity: _____

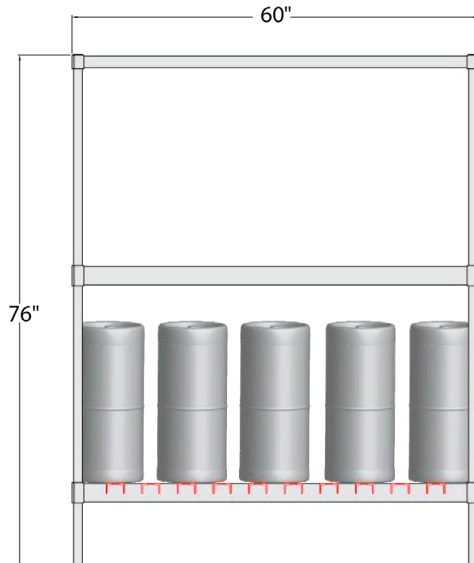
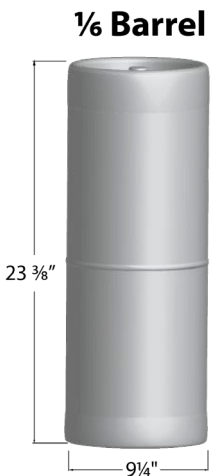
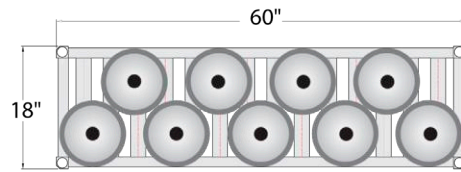
Keg Stackers -Single Deep



NS933



**MAXIMIZE
Your Craft Keg
STORAGE**



Engineered to work as hard as you do.
These heavy duty aluminum units store 1/6-, 1/4- and 1/2- barrel kegs of beer as well as dry general storage.

Unlike wire shelves, these units have easy-to-clean flat surfaces that aid in the easy-on and easy-off of product.

- Keg shelves are extra-reinforced for the added abuse associated with handling kegs.
 - Heavy duty frame with t-bar laterals
- Fully adjustable shelves can be adjusted to fit your specific requirements.
 - Units assemble in minutes with only an Allen wrench (provided).
 - Aluminum posts are marked in 2" increments for easy leveling; All ends are capped and sealed from dirt and debris..
- Approved for use in freezers, displays, as well as packaging and storage areas.
- Lifetime Guarantee against rust and corrosion
- Five-Year Guarantee against material defects and workmanship.
- NSF Certified. (Excluding 31842TT7, 95410, & 1872UB)



New Age Industrial Corp., Inc. || NewAgeIndustrial.com || Made in the USA

PO Box 520 • 16788 US Hwy 36 • Norton, Kansas 67654 || Phone: (800) 255-0104 • (785) 877-5121 || Fax: (877)-877-7687 • (785) 877-2616

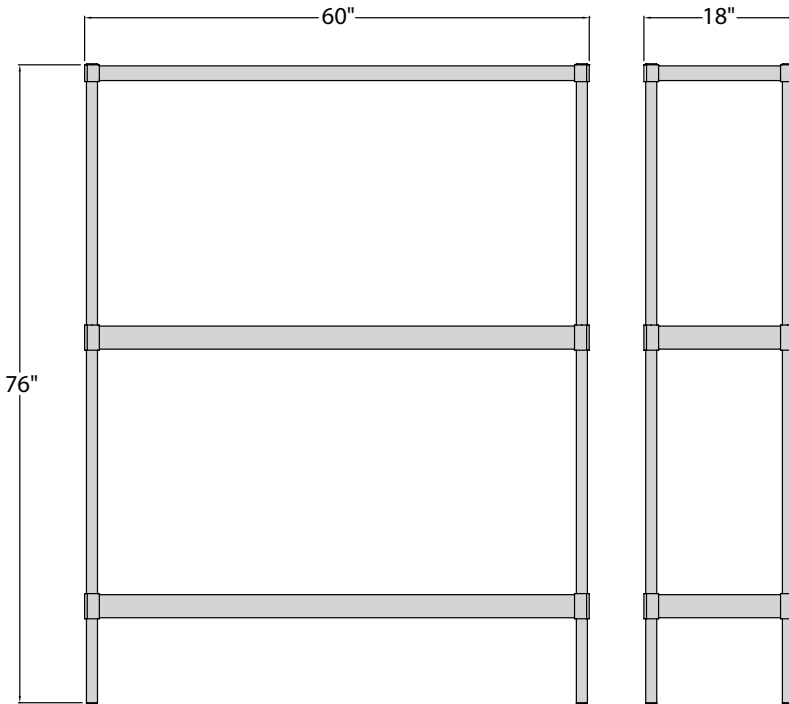
This information is for general sales and engineering use only. New Age Industrial reserves the right to modify or make changes at any time, without notice, to materials and specifications.

Project: _____

Item: _____

Quantity: _____

Keg Stackers -Single Deep



NS933

Top Shelf:

- Framework is constructed of 1½" x 1 ¾" x .070" wall tubing.
- Laterals are constructed of 1 ¼" x 2¼" x .100" wall t-bar.

Keg Shelves:

- Framework is constructed of 1½" x 2¾" x .070" wall tubing.
- Laterals are constructed of 1¼" x 2¼" x .100" wall t-bar.
- Complete units come with posts constructed of 1½" Diameter pipe.
- Lifetime Guarantee against rust and corrosion.
- Five-Year Guarantee against workmanship and material defects.
- NSF Certified. (Excluding 31842TT7, 95410, & 1872UB)

► Keg Stacker - Single-Deep

Model No.	Size D-H-L	½-Barrel Capacity	¼-Barrel Capacity	# Of Shelves	Ship Lbs.
Complete Units					
31842TT7 †	18" x 76" x 42"	4	12	3	49
NS933	18" x 76" x 60"	6	18	3	71
NS475	18" x 76" x 72"	8	22	3	73
1288	18" x 76" x 80"	8	26	3	78
1289 *	20¾" x 76" x 93"	10	34	3	98
Keg Shelves Only --**Customize Your Own Units**					
94273	18" x 3" x 60"	3	9	1	14.4
95410 †	18" x 3" x 72"	4	11	1	16.5
94274	18" x 3" x 80"	4	13	1	21
94275 *	20¾" x 3" x 93"	5	17	1	23
U-Brace / Wall Protectors - Not NSF Certified.					
94029	18" x 2" x 60"				7.5
1872UB †	18" x 2" x 72"				5.4
94030	18" x 2" x 80"				9
94031 **	19⅞" x 2" x 93"				10

* Shelves Require Six Posts; This adds 2¾" to the overall depth.

** Requires Six Posts; This adds 1¾" to overall depth

† Not NSF Certified.

Posts



Model No.	Length	Ship Lbs.
12P	12"	.6
34P	34"	1.7
48P	48"	2.5
54P	54"	3
60P	60"	3
68P	68"	3.6
72P	72"	3.9
76P	76"	4
84P	84"	4.1

Capped aluminum pipe (1½" o.d.).
Marked in 2" increments.



New Age Industrial Corp., Inc. || NewAgeIndustrial.com || Made in the USA

PO Box 520 • 16788 US Hwy 36 • Norton, Kansas 67654 || Phone: (800) 255-0104 • (785) 877-5121 || Fax: (877)-877-7687 • (785) 877-2616

This information is for general sales and engineering use only. New Age Industrial reserves the right to modify or make changes at any time, without notice, to materials and specifications.