

Project: \_\_\_\_\_

Item: \_\_\_\_\_

Quantity: \_\_\_\_\_

## Stock Truck - Heavy Duty



NS557 - Bar Style Top



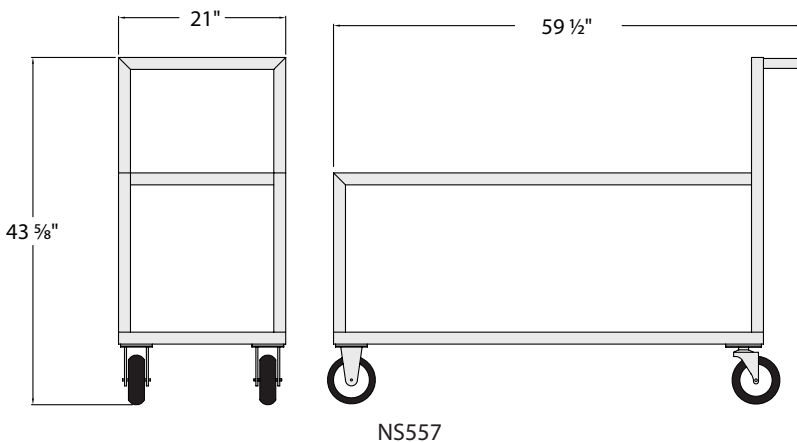
NS557A - Solid Style Top



With a weight capacity of 3,000 lbs., these trucks are ideal for transporting goods within warehouses. Trucks are narrow enough to easily maneuver through aisles and carry heavy loads, making them an essential part of stock management. All welded aluminum construction holds up to any atmosphere.

Rounded ergonomic handle prevents operator fatigue and injury.

- Framework is constructed out of 1 1/2" x 1 1/2" x .070" wall aluminum tubing.
- Handle is constructed of 1 5/16" diameter pipe.
- NS557A top is constructed of .063" aluminum.
- Equipped with 6" x 2" plate type casters, two swivel and two rigid.
- Five-Year Guarantee against material defects and workmanship.
- Lifetime Guarantee against rust and corrosion.
- NSF Certified.



### ► Heavy Duty Stock Truck

Model No	Size W-H-L	Top Shelf Height	Shelf Spacing	Ship Lbs.
<b>Unit With Bar Style Top</b>				
NS557	21" x 44" x 59 1/2"	30"	18"	62
<b>Unit With Solid Aluminum Top</b>				
NS557A	21" x 44" x 59 1/2"	30"	18"	65

Two tier unit with handle.

**Weight Capacity = 3,000 lbs.**

Four 6" x 2" plate type casters; two swivel with brake, two rigid.

**Options:** Options may not be NSF Certified. Contact the factory.

- Corner Bumpers (4)** - Add "B" suffix to model #
- Perimeter Bumper** - Add "PB" suffix to model #.
- Vertical Bumpers (4)** - Add "VB" suffix to model #.



New Age Industrial Corp., Inc. || [NewAgeIndustrial.com](http://NewAgeIndustrial.com) || Made in the USA

PO Box 520 • 16788 US Hwy 36 • Norton, Kansas 67654 || Phone: (800) 255-0104 • (785) 877-5121 || Fax: (877)-877-7687 • (785) 877-2616

This information is for general sales and engineering use only. New Age Industrial reserves the right to modify or make changes at any time, without notice, to materials and specifications.