



T&S BRASS AND BRONZE WORKS, INC.

2 Saddleback Cove / P.O. Box 1088
Travelers Rest, SC 29690

Model No.
MPM-8WLN-12-SWV

Item No.

Travelers Rest, SC: 800-476-4103 • Simi Valley, CA: 800-423-0150 • Fax: 864-834-3518 • www.tsbrass.com

This Space for Architect/Engineer Approval

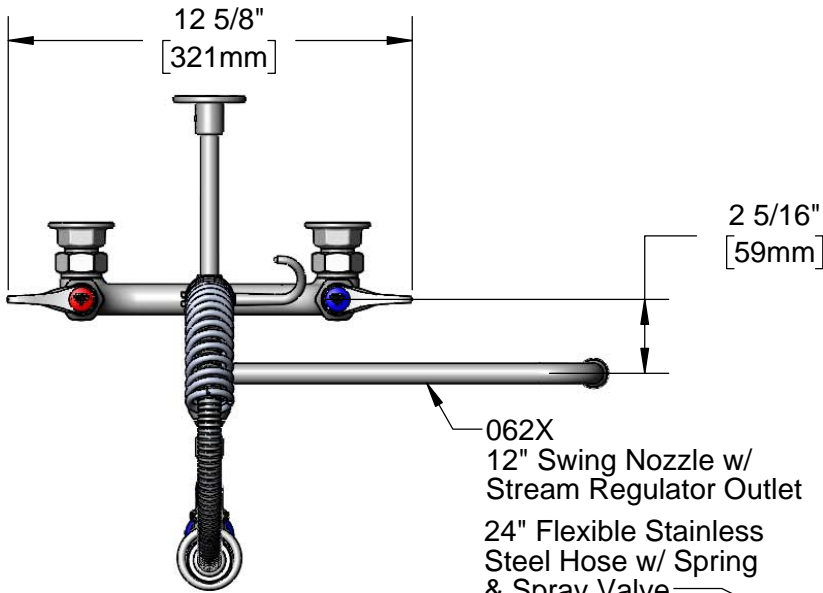
Job Name _____ Date _____

Model Specified _____ Quantity _____

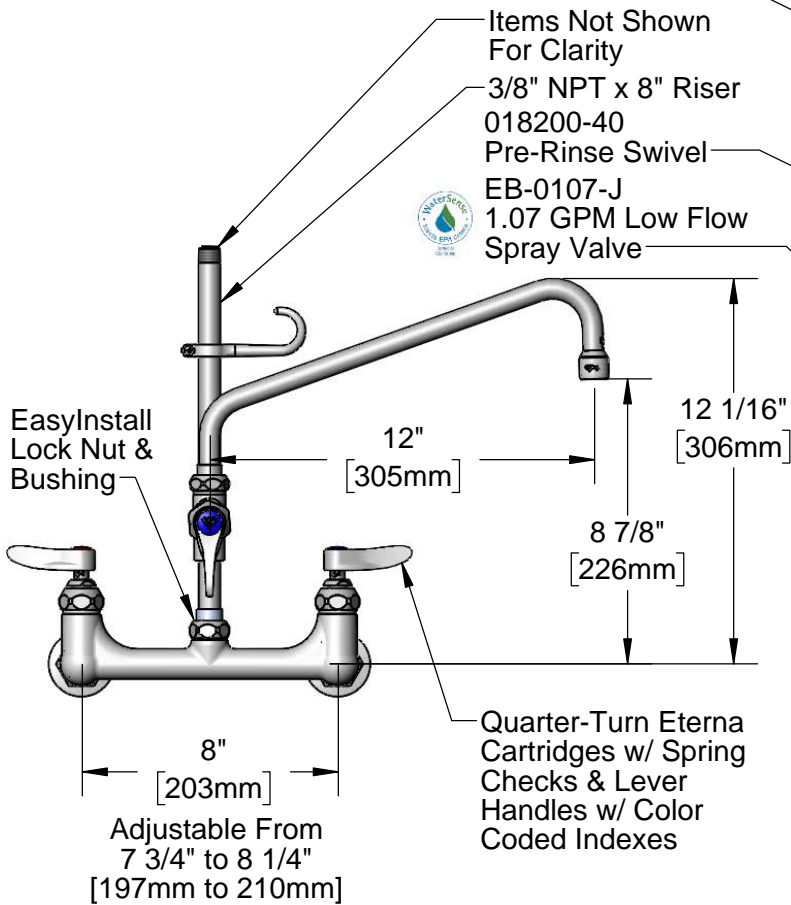
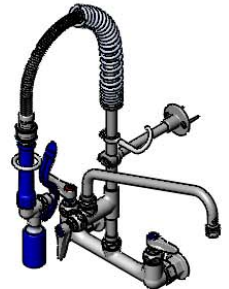
Customer/Wholesaler _____

Contractor _____

Architect/Engineer _____



062X
12" Swing Nozzle w/
Stream Regulator Outlet
24" Flexible Stainless
Steel Hose w/ Spring
& Spray Valve

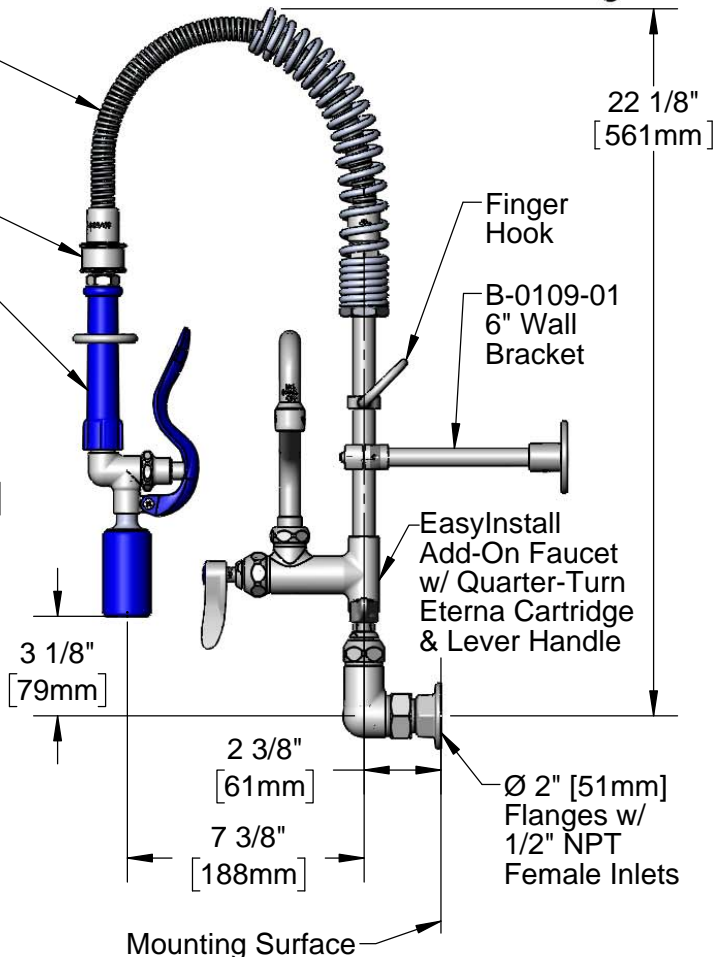


Items Not Shown
For Clarity
3/8" NPT x 8" Riser
018200-40
Pre-Rinse Swivel
EB-0107-J
1.07 GPM Low Flow
Spray Valve

EasyInstall
Lock Nut &
Bushing

Adjustable From
7 3/4" to 8 1/4"
[197mm to 210mm]

Quarter-Turn Eterna
Cartridges w/ Spring
Checks & Lever
Handles w/ Color
Coded Indexes



Finger
Hook

B-0109-01
6" Wall
Bracket

EasyInstall
Add-On Faucet
w/ Quarter-Turn
Eterna Cartridge
& Lever Handle

Ø 2" [51mm]
Flanges w/
1/2" NPT
Female Inlets

Mounting Surface

Product Specifications:

Pre-Rinse Unit: EasyInstall 8" Wall Mount Mixing Faucet, Quarter-Turn Eterna Cartridges w/ Spring Checks, Lever Handles, Add-On Faucet w/ 12" Swing Nozzle, Compact Spring, 24" Flexible Stainless Steel Hose, 1.07 GPM Low Flow Spray Valve w/ Pre-Rinse Swivel, 6" Wall Bracket & 1/2" NPT Female Inlets

Product Compliance:

ASME A112.18.1 / CSA B125.1
NSF 61 - Section 9
NSF 372 (Low Lead Content)
EPA Act 2005 (PRSV)
EPA WaterSense (PRSV)
For Commercial Use Only

Drawn: JBC

Checked: JRM

Approved: JHB

Date: 02/17/17

Scale: 1:6

Sheet: 1 of 1



T&S BRASS AND BRONZE WORKS, INC.

2 Saddleback Cove / P.O. Box 1088
Travelers Rest, SC 29690

Model No.
MPM-8WLN-12-SWV

Item No.

Travelers Rest, SC: 800-476-4103 • Simi Valley, CA: 800-423-0150 • Fax: 864-834-3518 • www.tsbrass.com

| ITEM NO. | SALES NO. | DESCRIPTION |
|----------|-------------|---|
| 1 | EB-0107-J | 1.07 GPM Spray Valve (Blue) |
| 2 | 010476-45 | #27 Washer |
| 3 | 000907-45 | Spray Valve Hold Down Ring |
| 4 | 011482-40 | Grip Handle (Blue) |
| 5 | 001014-45 | Washer, B-0100 Hose Barrel |
| 6 | 018200-40 | Pre-Rinse Swivel |
| 7 | B-0024-H2A | 24" Flexible Stainless Steel Hose, Less Handle |
| 8 | 016795-45 | Compact Spring |
| 9 | 000821-40 | Spring Body |
| 10 | B-0109-01 | 6" Wall Bracket |
| 11 | 004R | Finger Hook |
| 12 | 078X | 3/8" NPT x 8" Riser |
| 13 | B-0155-LNEZ | EasyInstall Add-On Faucet, Less Nozzle |
| 14 | EZ-K | EasyInstall Kit: Nut, Bushing, O-Ring & Lock Washer |
| 15 | 001065-45 | O-Ring |
| 16 | 014200-45 | Star Washer, Anti-Rotation |
| 17 | 018506-19NS | Blue Button Index, Press-in |
| 18 | 000925-45 | Lab Handle Screw |
| 19 | 002711-40NS | Quarter-Turn Eterna Cartridge, LTC w/ Spring Check, Handle, Index & Screw |
| 20 | 012442-40NS | Quarter-Turn Eterna Cartridge, LTC w/ Spring Check |
| 21 | 00AA | 1/2" NPT Female Eccentric Flange |
| 22 | 001019-45 | Coupling Nut Washer |
| 23 | 002712-40NS | Quarter-Turn Eterna Cartridge, RTC w/ Spring Check, Handle, Index & Screw |
| 24 | 012443-40NS | Packing Nut (New Style) |
| 25 | 001638-45NS | Lever Handle (New Style) |
| 26 | 001193-19NS | Red Button Index, Press-in |
| 27 | B-PT | Full Flow Stream Regulator, 55/64-27 |
| 28 | 062X | 12" Swing Nozzle w/ Stream Regulator Outlet |

Product Specifications:
Pre-Rinse Unit: EasyInstall 8" Wall Mount Mixing Faucet, Quarter-Turn Eterna Cartridges w/ Spring Checks, Lever Handles, Add-On Faucet w/ 12" Swing Nozzle, Compact Spring, 24" Flexible Stainless Steel Hose, 1.07 GPM Low Flow Spray Valve w/ Pre-Rinse Swivel, 6" Wall Bracket & 1/2" NPT Female Inlets

Product Compliance:
ASME A112.18.1 / CSA B125.1
NSF 61 - Section 9
NSF 372 (Low Lead Content)
EPA Act 2005 (PRSV)
EPA WaterSense (PRSV)
For Commercial Use Only