

# BACK BAR EQUIPMENT

## Model: **BB90SNSS**

Natural Refrigerant R-290 Model

### 90" Back Bar Cooler - Shallow Depth

Stainless steel exterior, countertop, interior back and side panels with reinforced stainless steel floor.



## Options and Accessories

(upcharge and lead times may apply)

|   |                             |
|---|-----------------------------|
| Additional epoxy coated shelves                     | Condensing unit on right    |
| Stainless steel shelves                             | Wine rack                   |
| Food storage rated stainless steel interior (NSF-7) | Castors or legs             |
| Riser base* (field installed)                       | Standard depth              |
| Hinged glass doors (consult factory)                | Pass-thru (consult factory) |

Consult factory for other model configurations, options and accessories.

\* Adding a Riser Base increases overall height 2"

**Continental**<sup>®</sup>  
Refrigerator

Toll-Free: 800-523-7138  
Phone: 215-244-1400  
Fax: 215-244-9579

539 Dunksferry Road  
Bensalem, PA 19020  
[www.continentalrefrigerator.com](http://www.continentalrefrigerator.com)

Project Name:

Model Specified:

Location:

Item No:

Quantity:

AIA #:

SIS #:

## Standard Model Features

### REFRIGERATION SYSTEM

Performance rated front breathing refrigeration system

Natural, environmentally safe, high efficiency R-290 refrigerant<sup>1</sup>

Automatic, hot gas condensate evaporator

Extra large, balanced evaporator coil

### CABINET ARCHITECTURE

High density, non-CFC polyurethane foamed-in-place insulation

Front, rear and side venting louvered grills

Magnetic snap in Santoprene™ door gaskets

Cylinder keyed security lock in each door

Stainless steel reinforced threshold

### MODEL FEATURES

Low profile cabinet design

Electronic controller with digital display & hi-low alarm

LED interior lighting

Off-cycle defrost

Easily accessible and serviceable slide-out condensing unit

<sup>1</sup> R-290 refrigerant meets all federal and state regulatory requirements.

APPROVAL:

# Model Specifications

## DIMENSIONAL DATA

|  |                  |
|--|------------------|
| Net Capacity (cubic feet)                                | 25 (708 cu l)    |
| Width, Overall (inches)                                  | 90 (2286 mm)     |
| Depth, Overall (inches)<br>(including handles & bumpers) | 25 3/16 (640 mm) |
| Depth, Body Only (inches)<br>(less doors)                | 21 (633 mm)      |
| Height, Overall (inches)                                 | 34 3/4 (883 mm)  |
| Capacity: # Barrel Kegs                                  | 4                |
| Capacity: # Straight Wall Kegs                           | 4                |
| Capacity : # 1/2 Size Kegs                               | 15               |
| Number of Doors  | 3                |
| Number of Shelves  | 6                |

## REFRIGERANT DATA

|                             |      |
|-----------------------------|------|
| Condensing Unit Size (H.P.) | 1/4+ |
| Capacity (BTU per hour)*    | 2670 |

## ELECTRICAL DATA

|  |                     |
|--|---------------------|
| Voltage (International)                        | 115/60/1 (220/50/1) |
| Feed Wires (including ground)                  | 3                   |
| Total Amps (International)                     | 5.8 (4.9)           |
| 10 ft. Cord/Plug [attached]<br>(International) | Yes<br>(No)         |

## SHIPPING DATA

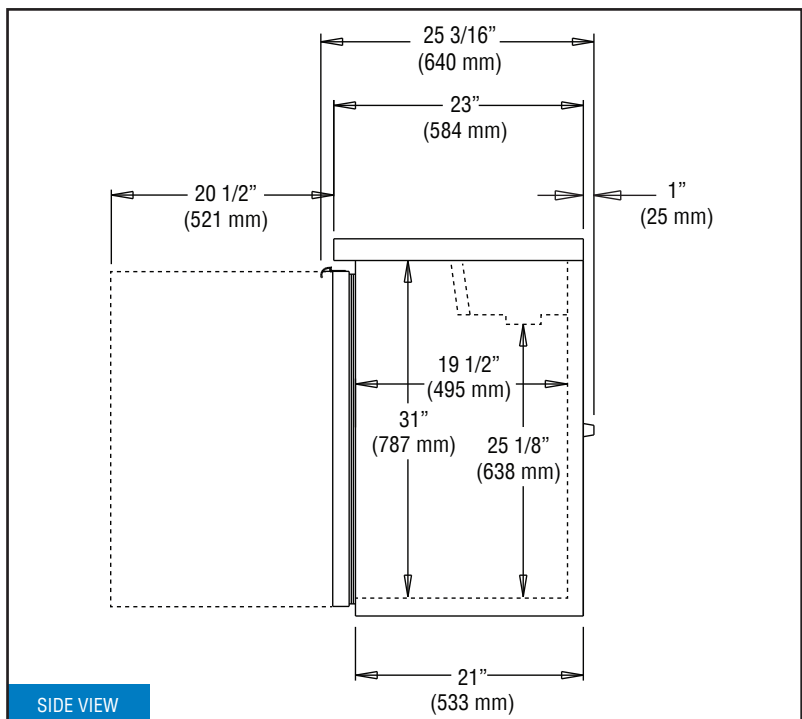
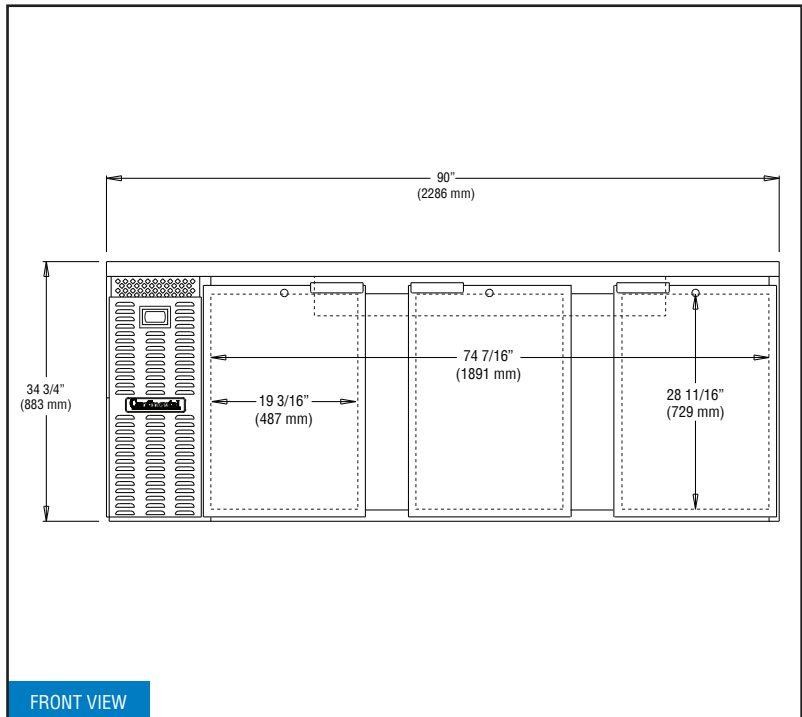
|                          |               |
|--------------------------|---------------|
| Weight (pounds)          | 530 (240 kg)  |
| Height - Crated (inches) | 46 (1168 mm)  |
| Width - Crated (inches)  | 109 (2769 mm) |
| Depth - Crated (inches)  | 42 (1067 mm)  |

\* Rating @ +25°F evaporator, 90°F ambient  
 Figures in parentheses reflect metric equivalents rounded to the nearest whole unit.



Equipped with one NEMA-5-15P Plug  
 (varies by country)

# Model Plan Views



**IMPORTANT NOTE:** Models are completely front breathing and take in and exhaust air through the front grill. For proper operation, the area in front of the cabinet **must** not be obstructed in any way. A clearance of 1" on the back and 3" on the sides is recommended.



Toll-Free: 800-523-7138  
 Phone: 215-244-1400  
 Fax: 215-244-9579

539 Dunksferry Road  
 Bensalem, PA 19020  
[www.continentalrefrigerator.com](http://www.continentalrefrigerator.com)

Due to our continued efforts in developing innovative products, specifications subject to change without notice.

