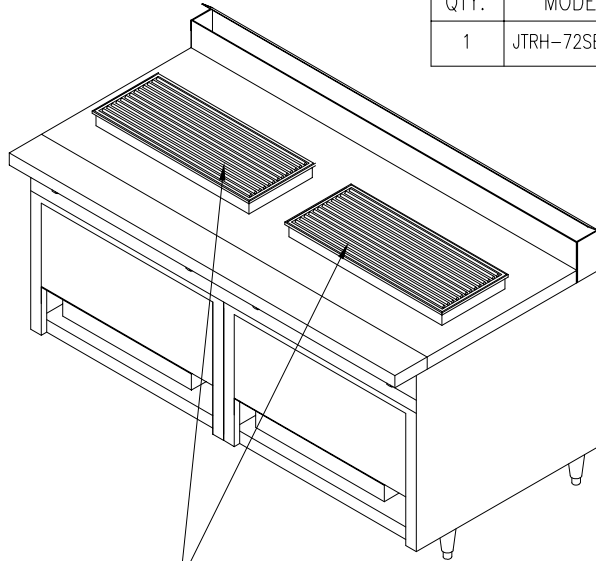


THIS DRAWING IS THE PROPERTY OF JADE PRODUCTS CO. NO PART OF THIS DOCUMENT MAY BE COPIED OR USED WITHOUT THE WRITTEN PERMISSION OF JADE PRODUCTS CO.

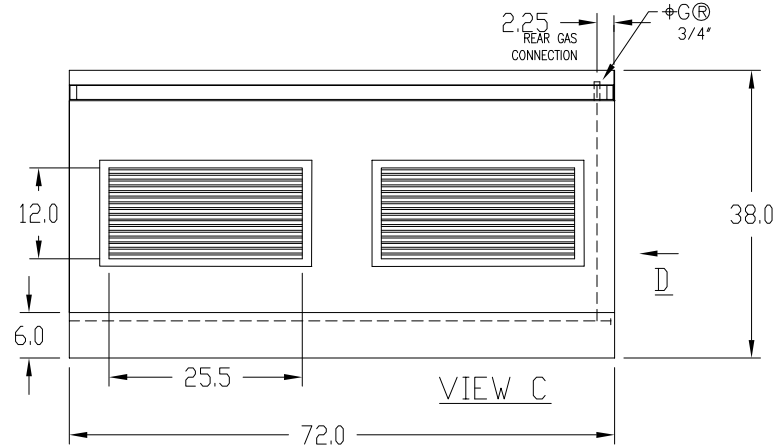
REVISIONS

REV	DESCRIPTION	ECN	BY	DATE	APPROVED
B	UPDATED		SMW	02.02.09	

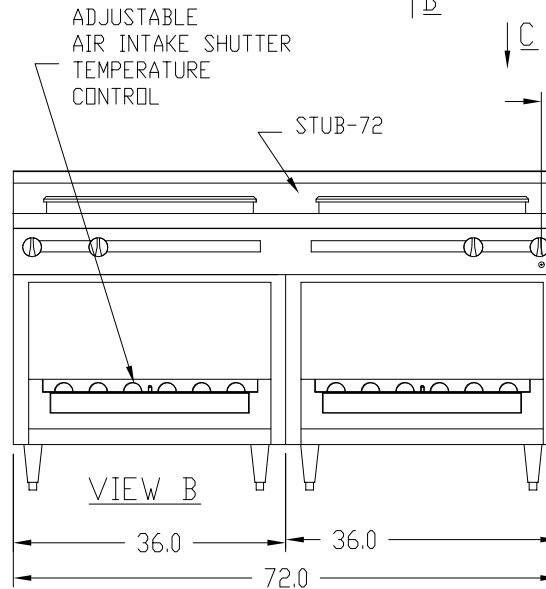
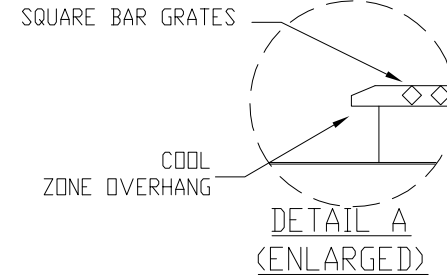
QTY.	MODEL	DESCRIPTION	BTU/UNIT	AMP.
1	JTRH-72SB	SATAY, INFRARED BROILER	140,000	N/A



SQUARE BAR GRATES

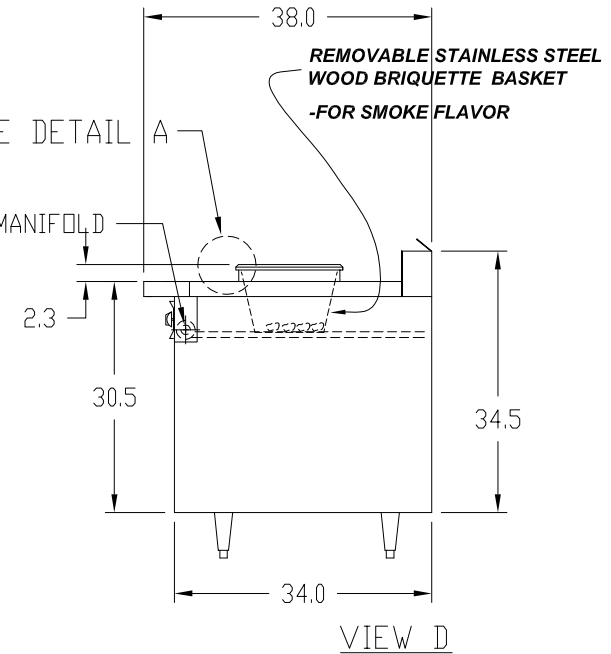


VIEW C



VIEW B

SEE DETAIL A



VIEW D

GAS TYPE:	
ELEVATION:	
TO BE SPECIFIED BEFORE MFG.	

1. ⚙️ GAS CONNECTION WITH REGULATOR
2. GAS SHUT-OFF VALVES AND CONNECTIONS SUPPLIED BY OTHERS.
3. ALL ELECTRICAL WORK (INSTALLATIONS AND CONNECTIONS) MUST BE PROVIDED BY OTHERS (BY CERTIFIED ELECTRICIAN)

Jade Products Company
2650 Orbiter St
Brea, CA 92821

UNLESS OTHERWISE NOTED DIMENSIONS ARE IN INCHES AND TOLERANCES: .XX±.03 .XXX±.015. ANGLES ±1°

MATERIAL	-	DRAWN	SMW	09.04.07
	-	CHECKED		
FINISH	-	APPROVED		

DESC	SATAY 72 UNDERFIRED INFRARED BROILER		
FOR	for		
SIZE	A	DWG NO	JTRH-72SB
SCALE	0.024	SHEET	1 OF 1