



Project _____
 AIA # _____ SIS # _____
 Item # _____ Quantity _____ C.S.I. Section 114000

UHT SERIES

Compact Undercounter with Glass Doors
 Refrigerator Models/Self-Contained



STANDARD PRODUCT FEATURES

- Stainless Steel Exterior Top & Sides, Glass Doors
- Anodized Aluminum Interiors
- Front Breathing Self-Contained Refrigeration System
- Environmentally Friendly, Low GWP R290 Refrigerant
- Self-Closing Doors with Stay-Open Feature at 105 Degrees
- Automatic Non-Electric Condensate Evaporator
- Electronic Control
- Standard Interior Light with Exterior Switch
- Magnetic Snap-In EZ-Clean™ Door Gaskets
- Two (2) Powder Coated Shelves per Door, Mounted on Pilasters
- 8' (2.4 m) Cord & Plug Attached
- Set of Four (4) 4" High Casters

ACCESSORIES & OPTIONS (*field installed)

- CK20 (four 6" (15.2 cm) high casters for 48" models)
- CK24 (four 3½" (8.9 cm) high casters for 48" models)
- CK26 (four 2¾" (6.9 cm) high casters for 48" models)
- LK4 (four 6" (15.24 cm) high legs for 48" models)
- SHELF48 UPPER (upper shelf for 48" models)
- SHELF48 LOWER (lower shelf for 48" models)

FACTORY INSTALLED OPTIONS

Stainless Steel Finished Back



Models listed to the applicable UL, CSA and NSF standards by an approved NRTL. Consult the factory or unit data plate for additional information.

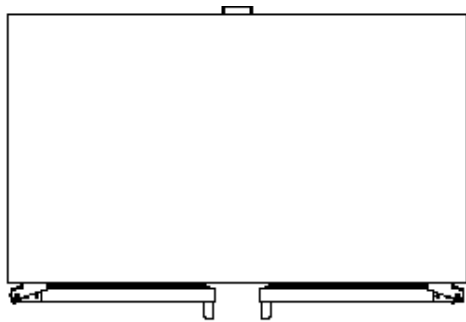
AVAILABLE CONFIGURATIONS

48" Wide Models

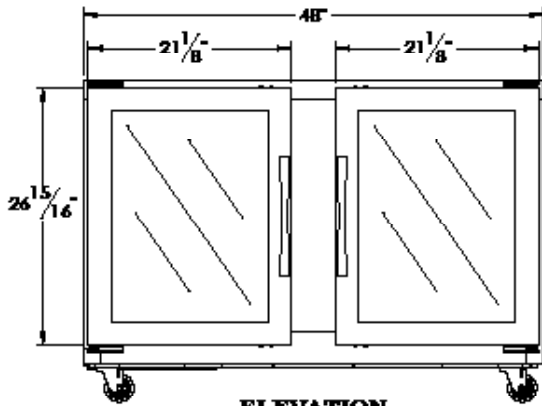
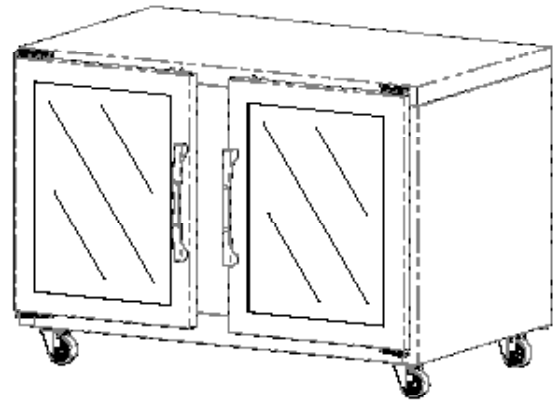
Model	Door Style	Hinging
UHG48LL-0420	Glass Door	Left/Left
UHG48LR-0420	Glass Door	Left/Right
UHG48RR-0420	Glass Door	Right/Right

Approved by _____ Date _____ Approved by _____ Date _____

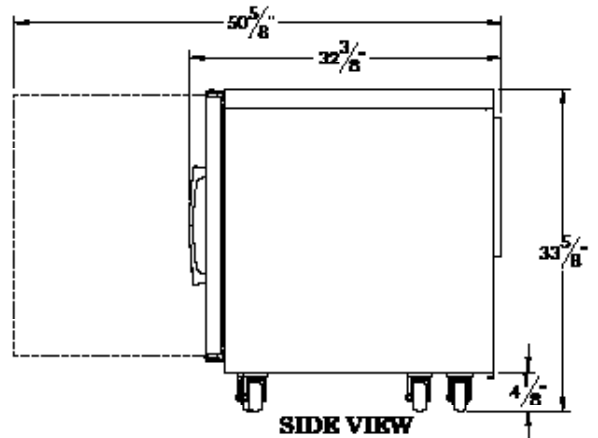
MODEL:
UHG48LR-0420



TOP VIEW



ELEVATION



SIDE VIEW



UHT SERIES

Compact Undercounter with Glass Doors
Refrigerator Models/Self-Contained

MODELS:

UHG48LL-0420, UHG48LR-0420, UHG48RR-0420

EQUIPMENT SPECIFICATIONS

MODELS	UHG48__-0420
DIMENSIONAL DATA	
Net Capacity cu. ft.	13.56 (383 l)
Length - overall in.	48 (121.9 cm)
Depth - overall in.	32 (82.2 cm)
Depth - door open 90° in.	50 5/8 (128.6 cm)
Clear door width in.	21 (53.7 cm)
Clear door height in.	26 15/16" (68.4 cm)
Height - overall on 4" casters	33 (85.4 cm)
# of Doors	2
# of Shelves	4
Shelf Area sq. ft. ³	10.3 (.96 m)
ELECTRICAL DATA (NEMA 5-15P attached)	
Voltage	115/60/1
Full Load Amps KWH/24HR ¹	7.20 2.05
REFRIGERATION DATA	
Refrigerant	R-290
Refrigerant Amount oz.	5 (141.7 g)
BTU/HR ² H.P.	1350 1/4 HP
SHIPPING DATA	
Length - crated in.	69 (175 cm)
Width - crated in.	42 (107 cm)
Height - crated in.	41 (104 cm)
Volume - crated cu. ft.	77 (2180 l)
Weight - crated lbs.	310 (141 kg)

NOTES:

1. KWH/24HR = Kilowatt usage per 24 hours
2. Based on a 90°F ambient and 20°F evaporator.
3. Figure shown reflects the area of standard shelf compliment.

CONSTRUCTION, HARDWARE, INSULATION

Cabinet exterior front and one piece sides are constructed of heavy gauge stainless steel. Cabinet interior and door liners are constructed of anodized aluminum. The exterior cabinet back and bottom are constructed of galvanized steel. Door self-closes at less than 90 degrees and also includes a stay-open feature at 105 degrees.

Gasket profile and material simplify cleaning and increase overall gasket life. Both the cabinet and door(s) are insulated with an average of 2" (5 cm) thick high density, non-CFC, foamed in place polyurethane.

REFRIGERATION SYSTEM

A balanced, rear mounted, front breathing, self-contained refrigeration system using environmentally friendly, low GWP R-290 refrigerant is provided. It features a capillary tube, air cooled hermetic compressor, forced air evaporator coil, and a non-electric condensate evaporator. An 8' (2.4m) NEMA cord and plug is provided. Standard operating temperature for refrigerator models is 34° to 38°F (1.1° to 3.3°C).

CONTROLLER

An electronic digital control is supplied standard. It includes a 3-Digit LED display, and a Fahrenheit or Celsius temperature scale display capability.

INTERIOR

Standard interior arrangements include two (2) powder coated wire shelves per door, mounted on pilasters. These are adjustable in 1/2" (1.27 cm) increments, allowing for a minimum of 1 1/2" (3.81 cm) spacing between shelves. Standard interior light with exterior mounted switch.

DOMESTIC WARRANTY

Both a six year parts and labor warranty and a seven year compressor parts warranty (self-contained models) are provided standard.

When ordering please specify: Voltage, Hinging, and Options.

Equipped with one NEMA 5-15P Plug



CONTINUED PRODUCT DEVELOPMENT MAY NECESSITATE SPECIFICATION CHANGES WITHOUT NOTICE.