



**T&S BRASS AND BRONZE WORKS, INC.**

2 Saddleback Cove / P.O. Box 1088  
Travelers Rest, SC 29690

Model No.

**B-1957**

Item No.

Travelers Rest, SC: 800-476-4103 • Simi Valley, CA: 800-423-0150 • Fax: 864-834-3518 • www.tsbrass.com

This Space for Architect/Engineer Approval

Job Name \_\_\_\_\_ Date \_\_\_\_\_

Model Specified \_\_\_\_\_ Quantity \_\_\_\_\_

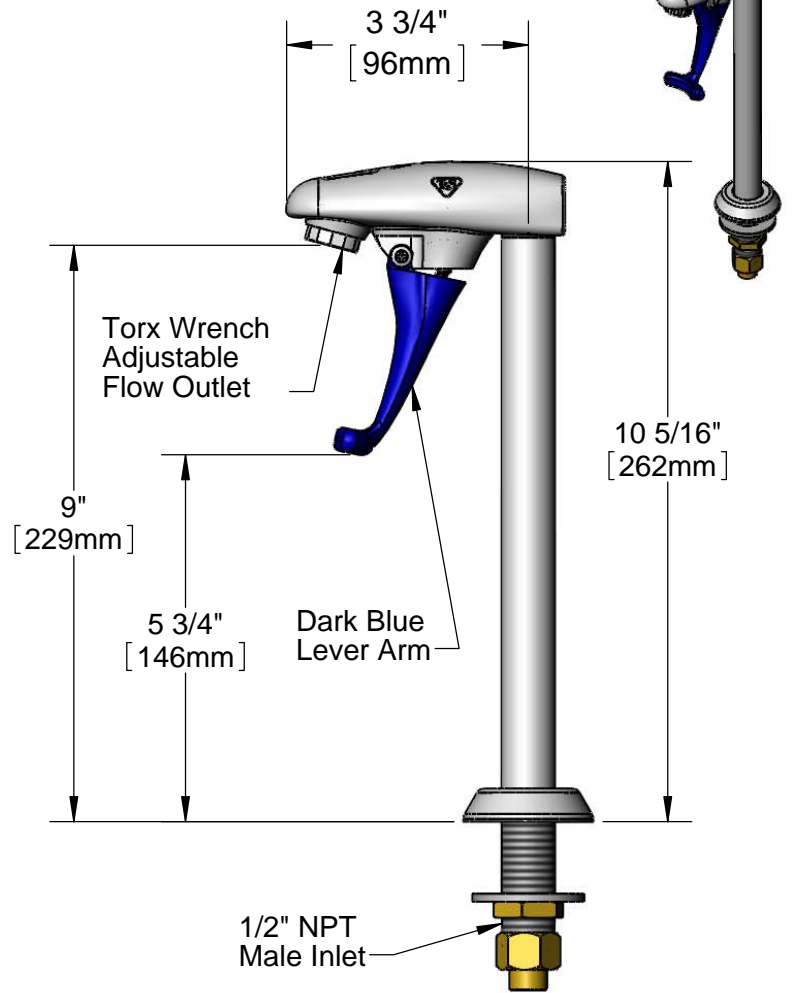
Customer/Wholesaler \_\_\_\_\_

Contractor \_\_\_\_\_

Architect/Engineer \_\_\_\_\_



**ADA Compliant**



Ø2" [51mm] Adjustable Flange

1/2" Sweat Tailpiece

1 1/8" [29mm] Maximum Thickness

Rough-in Requirement:  
Ø1" [25mm] Mounting Hole

**Product Specifications:**

9" Pedestal Type Glass Filler, Push Back Design, 1/2" NPT Male Shank w/ 1/2" Sweat Tailpiece, Adjustable Flange, Dark Blue Self-Closing Arm

Drawn

**JRM**

Checked

**DMH**

Approved

**JHB**

Scale:

**1:3**

Date:

**01/24/13**



# T&S BRASS AND BRONZE WORKS, INC.

2 Saddleback Cove / P.O. Box 1088  
Travelers Rest, SC 29690

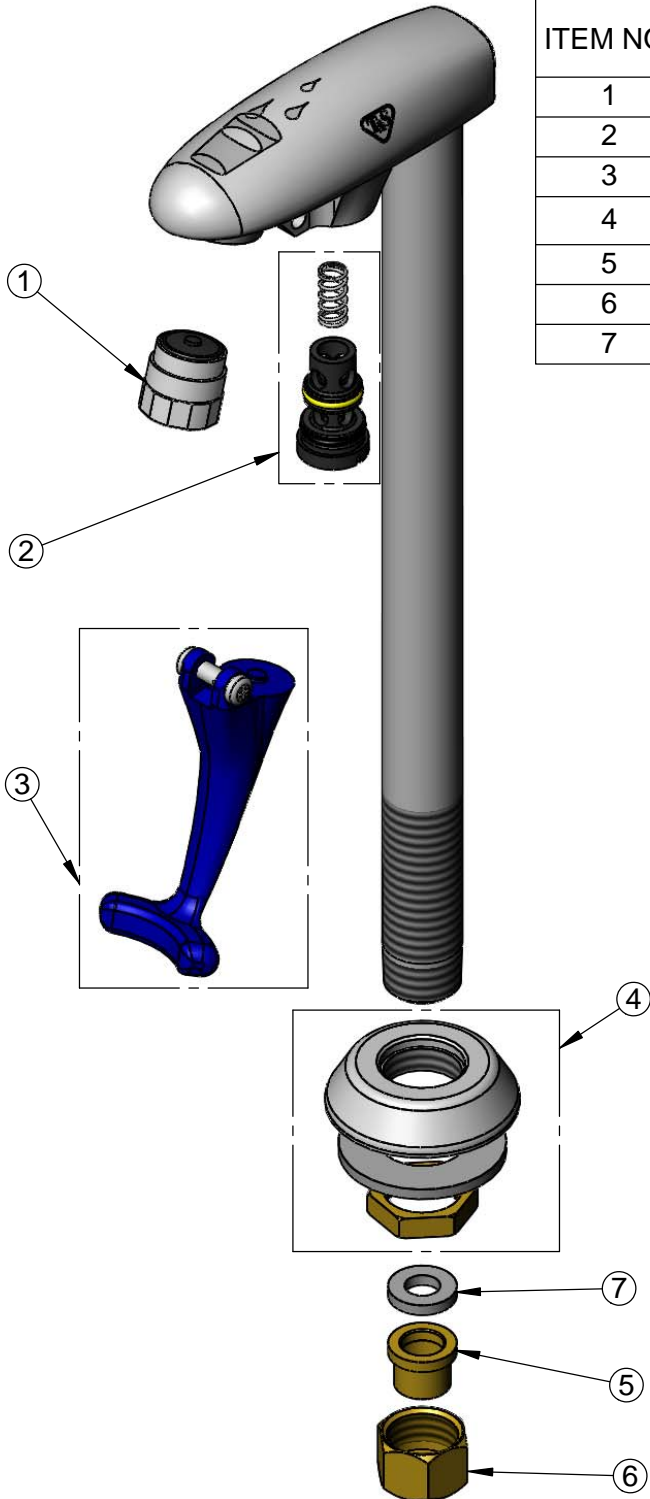
Model No.

**B-1957**

Item No.

Travelers Rest, SC: 800-476-4103 • Simi Valley, CA: 800-423-0150 • Fax: 864-834-3518 • www.tsbrass.com

ITEM NO.	SALES NO.	DESCRIPTION
1	015588-40	Adjustable Outlet w/ Torx Wrench
2	015589-40	Valve Assembly
3	015550-45	Lever Arm Repair Kit
4	016783-40	Adjustable Deck Flange Repair Kit
5	000854-20	1/2" Sweat Tailpiece
6	000961-45	Tailpiece Coupling Nut
7	001050-45	Tailpiece Coupling Washer



**Product Specifications:**

9" Pedestal Type Glass Filler, Push Back Design, 1/2" NPT Male Shank w/ 1/2" Sweat Tailpiece, Adjustable Flange, Dark Blue Self-Closing Arm

Drawn

JRM

Checked

DMH

Approved

JHB

Scale:

NTS

Date:

01/24/13