

# XEVTL-2021

Project \_\_\_\_\_

Item \_\_\_\_\_

Quantity \_\_\_\_\_

Date \_\_\_\_\_

Model

**TROLLEY**

- Capacity: 40 - 2.5" hotel pans (12" x 20")



## DESCRIPTION

TROLLEY FOR CHEFTOP MIND.Maps™ BIG OVENS. The structure is made of thick AISI 316L steel components with high resistance. This makes the MIND.Maps™ BIG trolleys robust and capable of withstanding high loads.

## STANDARD TECHNICAL FEATURES

- 316L steel structure. High corrosion resistance.
- Front and back tray stopper.
- Magnets for presence detector.
- Lower water tray with drain. The tray is removable and washable.
- Removable safety handle to move the trolley.
- 4 x 3-15/16" (100 mm) twin wheels. The 2 front wheels are equipped with brakes.
- Wheel operating temperature: max. 104°F - min. 14°F.
- The tray pitch can be customized upon request.

## COMPATIBILITY

- XAVL-2021-DPRS / XAVL-2021-HPRS / XAVL-2021-GPRS / XAVL-2021-NPRS
- XAVL-2021-DPLS / XAVL-2021-HPLS / XAVL-2021-GPLS / XAVL-2021-NPLS

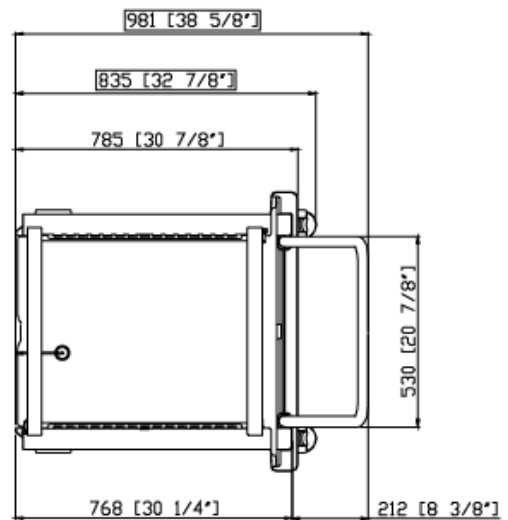
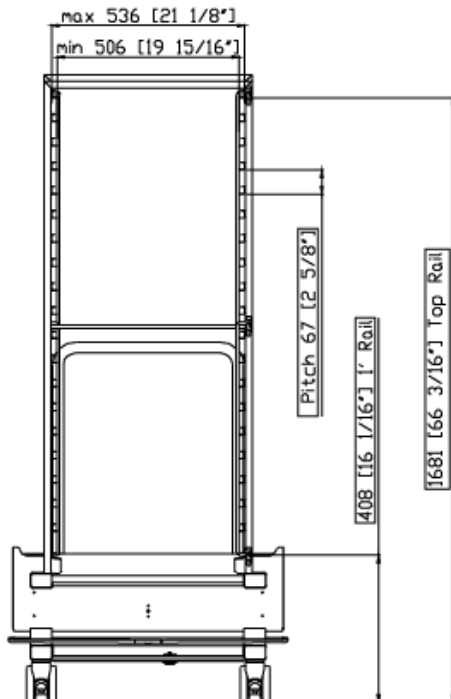
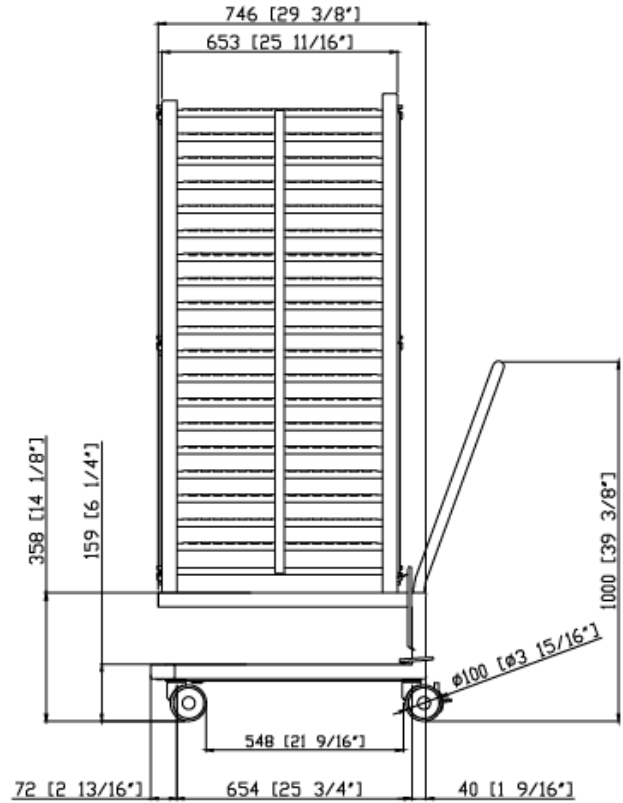
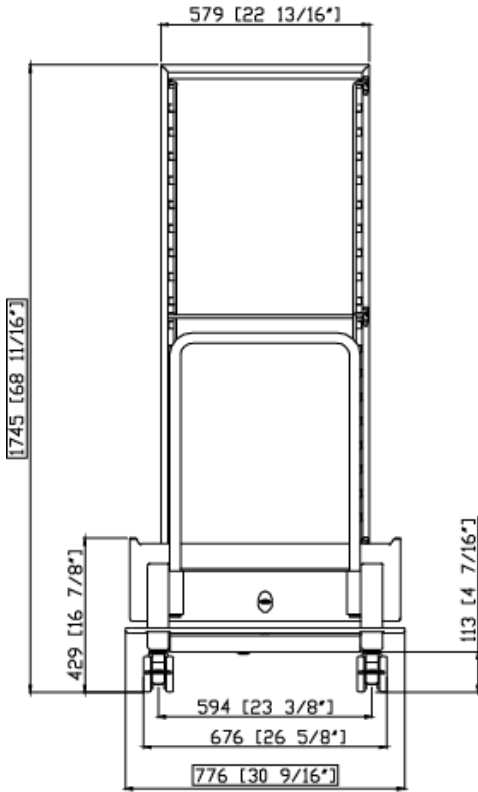
## DIMENSIONS E WEIGHT

Width:	<b>29-5/8" (776'a a )</b>
Depth	<b>32-7/8" (835'a a )</b>
Depth including the handle:	<b>38-5/8" (981'a a )</b>
Height:	<b>68-11/16" (1745'a a )</b>
First tray height:	<b>16-1/16" (408'a a )</b>
Last tray height:	<b>66-3/16" (1681'a a )</b>
Pan Spacing:	<b>2 5/8" (67 mm)</b>
Net Weight:	<b>127 lbs (57.4 Kg)</b>
Max food load:	<b>397 lbs (180 kg)</b>

We reserve the right to make technical improvements 06/05/2020

# XEVTL-2021

Views  
Connection positions



We reserve the right to make technical improvements 06/05/2020