

# EZ-RO™ 200/16G-BL BLENDED REVERSE OSMOSIS SYSTEM

System Part Number: EV9975-62



EZ-RO 200/16G-BL wall mount



EZ-RO 200/16G-BL with optional floor stand bracket



16-gallon hydropneumatic tank

## SYSTEM DESCRIPTION

Leveraging proprietary technology, the **EZ-RO 200/16G-BL** system uses Reverse Osmosis (RO) to reduce Total Dissolved Solids (TDS); it provides up to 200 gal/day (757 L/day)\* and includes a 16-gallon (60.6 L) hydropneumatic tank. Blending and remineralization allow you to control TDS for optimal espresso, coffee and tea\*.

## APPLICATIONS

- ◆ Espresso
- ◆ Coffee
- ◆ Tea / iced tea
- ◆ Ice

## FEATURES • BENEFITS

- ◆ Meets espresso, coffee, and tea equipment and customer water quality standards; known to significantly reduce scale and corrosion problems due to high TDS, water hardness\*, and chlorides†
- ◆ Precision stainless steel blend valve and built-in TDS meter allow customized TDS for optimum extraction and taste profile for espresso, coffee and tea\*
- ◆ 4CM cartridge provides calcium and magnesium for improved extraction
- ◆ Non-electric design operates on available water pressure†
- ◆ Sealed hydropneumatic storage tank provides capacity and pressurized water to downstream equipment
- ◆ Pressure gauge allows monitoring of RO inlet pressure and prefilter condition
- ◆ Built-in bypass, sample port and flush valves speed up installation and cartridge replacement
- ◆ Proprietary Fibredyne™ II filtration media effectively inhibits growth of bacteria on the filter media that can decrease product life. Also can reduce sediment and chlorine to help protect the RO membrane\*
- ◆ High flow 1/2" OD tubing optimized water line to equipment
- ◆ Installation kit comes complete with tubing, fittings, and mounting hardware for installation
- ◆ High efficiency RO membrane saves up to two times more water than standard RO membranes‡
- ◆ Numerous patents pending on blending technology and other aspects of the product design

## INSTALLATION TIPS

- ◆ Feed water connection to system—should be COLD only. Tempered water up to 80°F (26.6°C) can be used.
- ◆ Do not exceed system specifications for temperature and pressure.
- ◆ Provide a dedicated feed water supply connection of at least 3/8" inner diameter.
- ◆ Allow 3" clearance below system for filter cartridge removal and replacement.
- ◆ Detailed, illustrated installation guide is included with each system.

\*Not performance tested or certified by NSF.

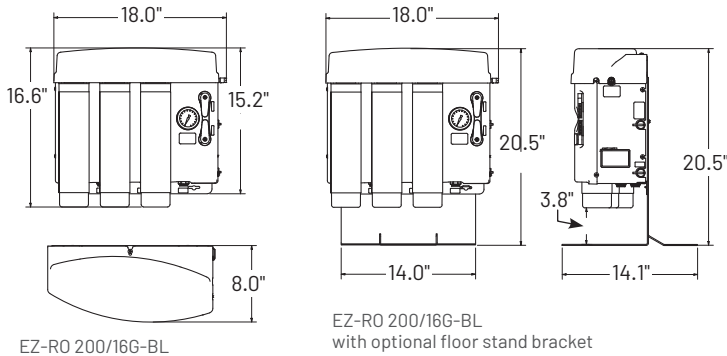
† When installed, serviced and maintained according to Pentair Everpure Installation Operation Instructions.

‡ Up to 50% recovery compared to standard RO systems with 25% recovery.

EPA Est. 002623-IL-003

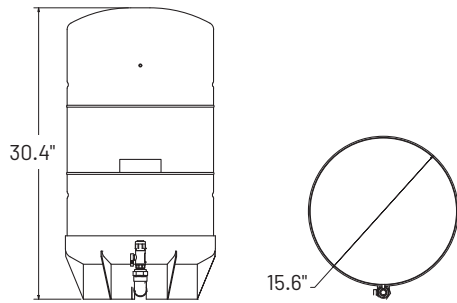
# EZ-RO™ 200/16G-BL BLENDED REVERSE OSMOSIS SYSTEM

EV9975-62



EZ-RO 200/16G-BL

EZ-RO 200/16G-BL  
with optional floor stand bracket



16-gallon hydropneumatic tank



System is Tested and Certified by NSF International against NSF/ANSI 58 and CSA B483.1 for the reduction of Total Dissolved Solids (TDS).

## Feed Water Chemistry

|                       |                       |                  |                |
|-----------------------|-----------------------|------------------|----------------|
| Feed TDS              | Up to 1000 ppm        | Turbidity        | <1.0 NTU       |
| Feed pH               | 5-10                  | Manganese        | <0.05 mg/L max |
| Hardness <sup>†</sup> | 12 grains/gal or less | Hydrogen Sulfide | 0.00 mg/L      |
| Free Chlorine         | <3 mg/L               | Silica           | <20 ppm        |
| Iron                  | <0.1 mg/L             |                  |                |

<sup>†</sup> For water outside of these parameters, call Pentair Customer Service.

## SPECIFICATIONS

### System

**Overall Dimensions - Processor**  
16.6" H x 18.0" W x 8.0" D  
(42.2 cm x 45.7 cm x 20.3 cm)

### Tank Dimensions & Capacity

30.4" H x 15.6" DIA  
(77.2 cm x 39.6 cm)  
16 gallons (60.6 L)

### Connections

Inlet: 3/8" push-to-connect  
Outlet: 1/2" OD push-to-connect

### Pressure Requirements

50 - 100 psi  
(3.5 - 6.9 bar), non-shock

### Water Temperature

40-100°F (4 - 38°C)

### System

**Shipping Weight**  
57.5 lbs (26.1 kgs)

**Electrical Connection**  
None required

### Performance

#### Daily Production Rate

Up to 200 gpd (757 Lpd)\* nominal at 77°F (25°C), 60 psi (4.1 bar) feed water pressure\*; production will vary based on water supply temperature and pressure

#### Service Flow Rate

Dependent on water level and pressure in storage tank.

\*Not performance tested or certified by NSF.

## OPTIONS

| Model        | Description                | Part No   |
|--------------|----------------------------|-----------|
| PRV          | Pressure reducing valve    | 164-89938 |
| Air Gap Kit  | Air gap approved for drain | 164-89905 |
| EZFS         | Floor stand bracket        | EV3159-68 |
| Mixing Valve | Thermostatic mixing valve  | EV3114-79 |

## REPLACEMENT CARTRIDGES

| Model  | Qty | Description      | Part No   |
|--------|-----|------------------|-----------|
| 4FC5-S | 1   | Prefilter        | EV9693-31 |
| EZ-200 | 1   | RO membrane      | EV9628-92 |
| 4CM    | 1   | Mineral addition | EV9627-80 |

It is recommended that pre-/post-filters and mineral addition cartridges are changed every six (6) months, when capacity is reached, or when feed water pressure or flow becomes inadequate.

The contaminants or other substances removed or reduced by this drinking water system are not necessarily in your water. Do not use with water that is microbiologically unsafe or of unknown quality without adequate disinfection before or after the system.

Since the conditions under which our products may be used are beyond our control, we cannot accept any liability with respect to the improper installation, application and/or use of our products.



For Pentair Everpure Product Warranties visit:  
<http://pentair.com/assets/foodservice-warranty>

For Pentair Patent Information visit:  
<http://pentair.com/patents>

United States | 1040 Muirfield Drive | Hanover Park, IL 60133 | 800.942.1153 (US Only) 630.307.3000 Main | [cseverpure@pentair.com](mailto:cseverpure@pentair.com) | [foodservice.pentair.com](http://foodservice.pentair.com)  
Australia | 1-21 Monash Drive | Dandenong South, Vic 3175 | Australia | 011.1300 576 190 Tel | [au.everpure@pentair.com](mailto:au.everpure@pentair.com)  
China | 21F Cloud 9 Plaza, NO 1118 | Shanghai, 200052 | China | 86.21.3211.4588 Tel | [china.water@pentair.com](mailto:china.water@pentair.com)  
India | Boulevard, B-9/A, 7th Floor - Tower B Sector 62 | Noida - 201301 | 91.120.419.9444 Tel | [indiacustomer@pentair.com](mailto:indiacustomer@pentair.com)  
Europe | Pentair Water Belgium BV | Industriepark Wolfstee, Toekomstlaan 30, B-2200 Herentals | Belgium | +32.(0).14.283.504 Tel | [sales@everpure-europe.com](mailto:sales@everpure-europe.com)  
Japan | Japan Inc. | Hashimoto MN Bldg. 7F, | 3-25-1 Hashimoto, Midori-ku, Sagami-hara-shi | Kanagawa 252-0143 | Japan | 81.(0)4.2775.3011 Tel | [info@everpure.co.jp](mailto:info@everpure.co.jp)  
Southeast Asia | 390 Havelock Road, | #04-01 King's Centre | Singapore 169662 | 65.6768.5800 Tel | [cseverpure@pentair.com](mailto:cseverpure@pentair.com)

All indicated Pentair trademarks and logos are property of Pentair. Third party registered and unregistered trademarks and logos are the property of their respective owners.