

- Mini Mushroom draft towers feature a distinctive beading on the column.
- The draft tower is a marketing tool, not just a bar fixture.
- Compact design is easily accommodated on most bar tops.
- All stainless steel contact with the beer for the ultimate in draft purity.




Stainless Steel
MTM-3PSSKR





Brass
MTM-3BRKR

Features

Faucet knobs not included.


 Certified by the National Sanitation Foundation.

 Stainless Steel beer contact for the pure taste of fresh draft beer.

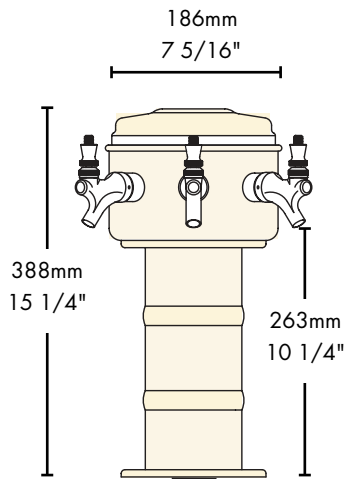
 The integrated Kool-Rite module provides optimum cooling at the point of dispense. Modular construction makes the installation process as simple as PLUG "N" POUR.

Specifications

Part No.	Faucets	Finish	Dispense System	Shipping Weight	Box Dimensions
<input type="checkbox"/> MTM-3PSSKR*	3	Polished S/S	Kool-Rite (Glycol)	10 kg 23 lbs	1245mm L x 610mm W x 356mm H 49"L x 24"W x 14"L
<input type="checkbox"/> MTM-3BRKR*	3	Brass	Kool-Rite (Glycol)	10 kg 23 lbs	1245mm L x 610mm W x 356mm H 49"L x 24"W x 14"L

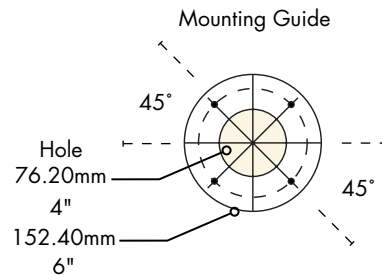
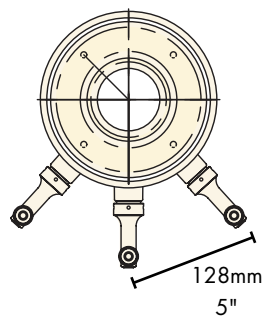
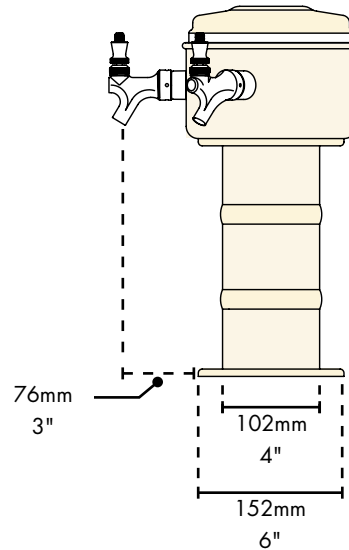
 NSF Certified

Dimensions



BEER: 1/4" O.D. Stainless Steel with 5/16" - 3/8" Barb Fittings

GLYCOL: 3/8" O.D. Copper with 3/8" Barb Fittings



Copyright ©2011 Micro Matic USA, Inc. All Rights Reserved.

00170D1008



www.micromatic.com

Toll Free: 1-(866) 327-4159

West	Central	Southeast	Northeast
19791 Bahama Street Northridge, CA 91324 Tel. (818) 701-9765 Fax. (818) 701-9844	10726 North Second Street Machesney Park, IL 61115 Tel. (815) 968-7557 Fax. (815) 968-0363	2364 Simon Court Brooksville, FL 34604 Tel. (352) 799-6331 Fax. (352) 796-2429	4601 Saucon Creek Road Center Valley, PA 18034 Tel. (610) 625-4464 Fax. (610) 625-4466