

GRIDDLES & BROILERS

COUNTER MODEL STAINLESS STEEL STANDS



Model STAND/C-48

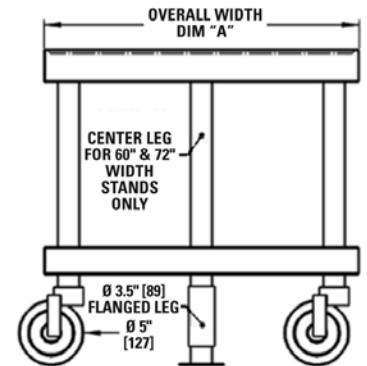
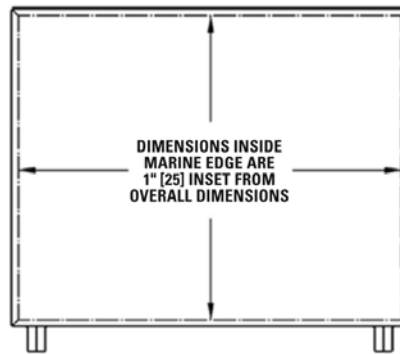
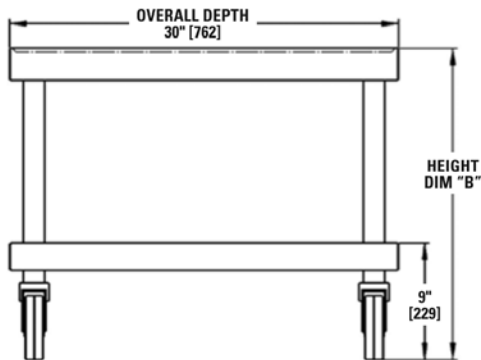
- STAND/C
- STAND/C-VACB
- STAND/C-TYG

STANDARD FEATURES

- Stainless steel construction
- Welded and smooth blended edges
- STAND/C models have 1/2" wide marine edges
- All models have 5" casters with 2 or 3 locking brakes
- All models have an undershelf
- One year limited parts and labor warranty

OPTIONAL FEATURES (Factory Installed)

- Product variations, including flanged feet, available. See your sales representative for product variance requests.



PRODUCT FAMILY	ACCESSORY CODE CASTERS	DIM "A"	DIM "B"
ASA AGM WEG ACB SCB AHP	STAND/C-24	26" [660]	
	STAND/C-36	37" [940]	
	STAND/C-48	49" [1245]	
	STAND/C-60	61" [1550]	
	STAND/C-72	73" [1854]	
	STAND/C-72	73" [1854]	
TYG	STAND/C-TYG48	49" [1245]	20" [508]
	STAND/CTYG60	61" [1550]	