

- **FSIB4R** 50-7/8"L x 61-1/8"D x 53-7/8"H
- **FSIB8R** 98-1/8"L x 61-1/8"D x 53-7/8"H

Included

- Digital fahrenheit thermometer
- Integrated average product temperature of 40°F or less
- One year parts & labor; 5 year compressor warranty
- Open reach-in front
- Removable deck pans provide complete access to evaporator coil & refrigeration connections



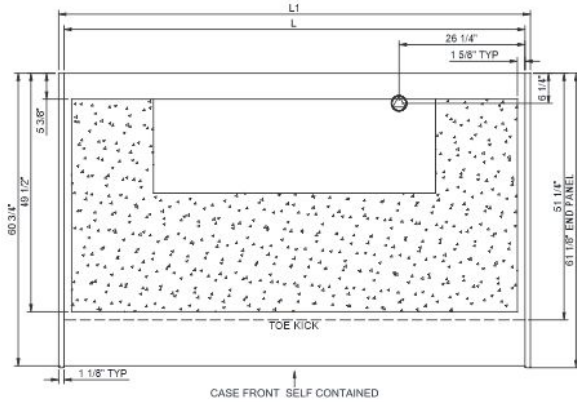
FSIB4R

Specify	Standard Features	Additional Options
EXTERIOR COLOR	• Laminate (stock colors)	• Laminate (non-stock colors) • Stainless steel
INTERIOR COLOR	• Powder coated Silversan Black	• Stainless steel
LOWER FRONT PANEL COLOR	• No lower front panel (self-cont.)	• Powder coated SCC Silversan Black (remote) • Stainless steel (remote)
BASE SUPPORT	• Casters (self-cont.)	• Levelers (remote)
BUMPER END	• None	• 1" Boston bumper (2 levels) • 1" Stainless steel tube bumper (2 levels)
BUMPER FRONT	• None	• 1" Boston bumper (2 levels) • 1" Stainless steel tube bumper (2 levels)
END PANELS	• Full w/stainless steel mirror interior	• Cutaway w/glass • None (specify per line-up)
INTERIOR DISPLAY	• Angled deck	
ELECTRICAL CONNECTION	• 6' Straight blade power cord (self-cont.)	• 6' Locking power cord (self-cont.) • Electrical leads (remote)
REFRIGERATION	• Breeze self-contained refrigeration	• Remote DX refrigeration
SENSOR	• None (self-cont.)	• CPC discharge air sensor (remote)
MISCELLANEOUS		• Bumper front/ends

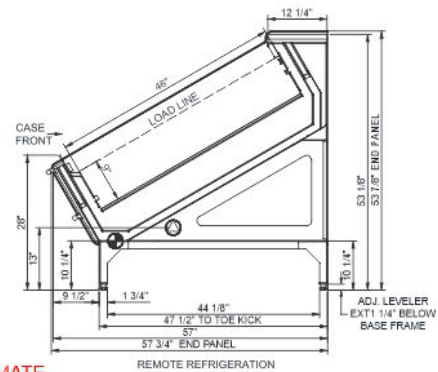
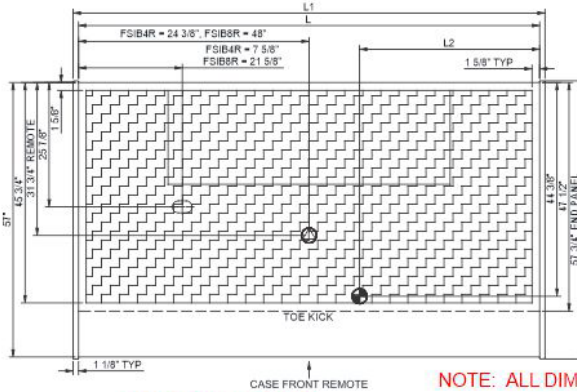
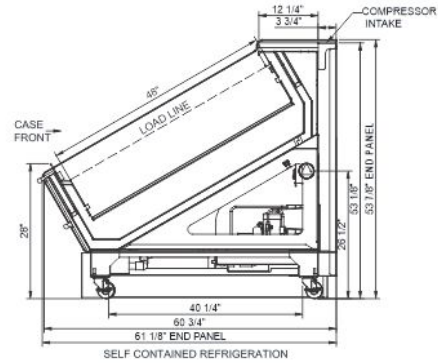
Std Notes: 1 - FSIB8R - 3-Phase locking power cord

Intended Environment: Type I - Designed to operate in ambient conditions of 75°F with 55% relative humidity unless noted otherwise in system information below.		
Zone	Intended Product To Be Displayed	Warmest Avg Prod Temp ° F
1	Packaged / unpackaged refrigerated products	40

PLAN VIEW



SIDE VIEW



NOTE: ALL DIMENSIONS APPROXIMATE

- ELECTRICAL JUNCTION BOX (SUPPLIED WITH 6" LEADS OR POWER CORD).**
- REFRIGERATION LINE CONNECTION.**
- REMOTE FLOOR SINK & UTILITIES ACCESS AREA.**
- SELF-CONTAINED CASE SERVICE ACCESS AREA.**
- DRY CASE SERVICE ACCESS AREA.**

Model Technical Specifications																
Model	L"	L1"	L2"	System Circuit Volts		Phs	Freq	Amps ***	Watts	Wires	NEMA Plug	SST	Conv. Rack BTUH	Para. Rack BTUH	Est Wt	
FSIB4R	48.63	50.88	24.38	Remote (R404A)	Circuit #1	110-120	1	60	0.80	64	2+G	Leads Single	20.00	3110	2880	N/A
				Self-Contained (R449A)	Circuit #1	208-240	1	60	6.96	1,221	2+G	6-15P	N/A	N/A	N/A	N/A
FSIB8R	95.88	98.13	37.50	Remote (R404A)	Circuit #1	110-120	1	60	1.60	128	2+G	Leads Single	20.00	8078	7480	N/A
				Self-Contained (R449A)	Circuit #1	208	3	60	12.00	2,776	3+G	L15-20P	N/A	N/A	N/A	N/A

*** Does not include electric defrost on freezer models.

Regulatory Approvals:

All Models	Accordance with AHRI Std 1200 ETL Listed to UL 471 ETL Listed to CAN/CSA 22.2 No. 120 ETL Sanitation to NSF/ANSI 7
------------	---



Important Notes:

- 1) ELECTRICAL NOTE: If GFCI is required, a GFCI breaker MUST be used in lieu of a GFCI receptacle.
- 2) 60" Minimum door entry clearance required (Without shipping skid) for Remote unit & 64" for Self-Contained.
- 3) Remote units are supplied with levelers which must be adjusted during installation to ensure the unit is level and plumb.

⚠ WARNING: This product can expose you to chemicals, including Urethane (Ethyl Carbamate), which are known to the State of California to cause cancer and birth defects or other reproductive harm. For more information go to www.P65Warnings.ca.gov.