

# PREMIUM 3-BOWL 1-DRAINBOARD SINK (LEFT)

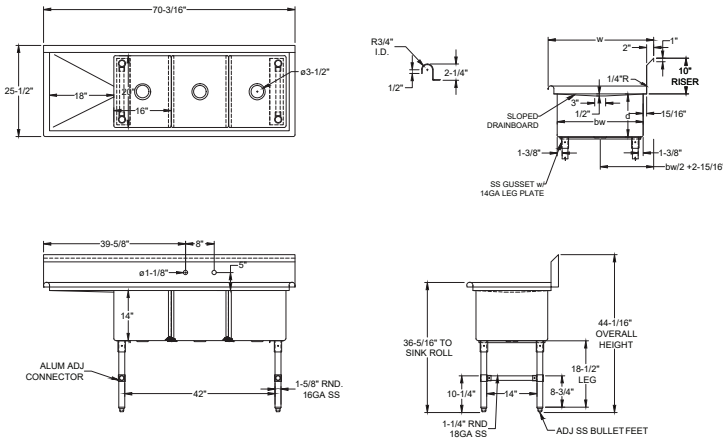
SINKS - 3 BOWLS



## MATERIALS

- 16 Gauge 300 Series Stainless Steel; Fabricated
- Stainless Steel Legs, Gussets, Cross-Bracing, and Bullet Feet

**COMPATIBLE WITH  
NEW NBR FAUCETS!  
SEE PAGE 75**



## FEATURES

- 10"H Backsplash with 2" Return to Wall
- 8" On-Center Wall-Mounted Faucet Holes (\* Has 2 Sets)
- 3-1/2" Die-Stamped Drain Opening With Drain Baskets Included
- One Drainboard (Left Side)
- Cross-Bracing for Reinforced Support
- Adjustable Bullet Feet

MODEL NUMBER	BOWL SIZE L X W X H	LENGTH	WIDTH	DRAINBOARD SIZE
3SS-162014L18	16" x 20" x 14"	70- <sup>3</sup> / <sub>16</sub> "	25- <sup>1</sup> / <sub>2</sub> "	18"
3SS-181814L18	18" x 18" x 14"	76- <sup>3</sup> / <sub>16</sub> "	23- <sup>1</sup> / <sub>2</sub> "	18"
3SS-182414L18	18" x 24" x 14"	76- <sup>3</sup> / <sub>16</sub> "	29- <sup>1</sup> / <sub>2</sub> "	18"
3SS-203014L18	20" x 30" x 14"	82- <sup>3</sup> / <sub>16</sub> "	35- <sup>1</sup> / <sub>2</sub> "	18"
3SS-242414L18*	24" x 24" x 14"	94- <sup>3</sup> / <sub>16</sub> "	29- <sup>1</sup> / <sub>2</sub> "	18"
3SS-242414L24*	24" x 24" x 14"	100- <sup>3</sup> / <sub>16</sub> "	29- <sup>1</sup> / <sub>2</sub> "	24"