

- **CO33R** 36-1/4"L x 32-3/8"D x 33-3/4"H
- **CO43R** 47-1/4"L x 32-3/8"D x 33-3/4"H
- **CO53R** 59-1/4"L x 32-3/8"D x 33-3/4"H
- **CO63R** 71-1/4"L x 32-3/8"D x 33-3/4"H

Included

- NOTE: ADD SUFFIX TO MODEL # LISTED ABOVE BASED ON MODEL CONFIGURATION CHOSEN BELOW
- Breeze~E (Type-II) self-contained refrigeration (rear access)
- Blue Fin coated coil
- Casters (non-locking) w/ levelers
- Condensate pan (self-contained refig. only)
- Integrated average product temperature of 40°F or less
- LED 3500K top light(s)
- One piece formed ABS plastic tub
- One year parts & labor; 5 year compressor warranty



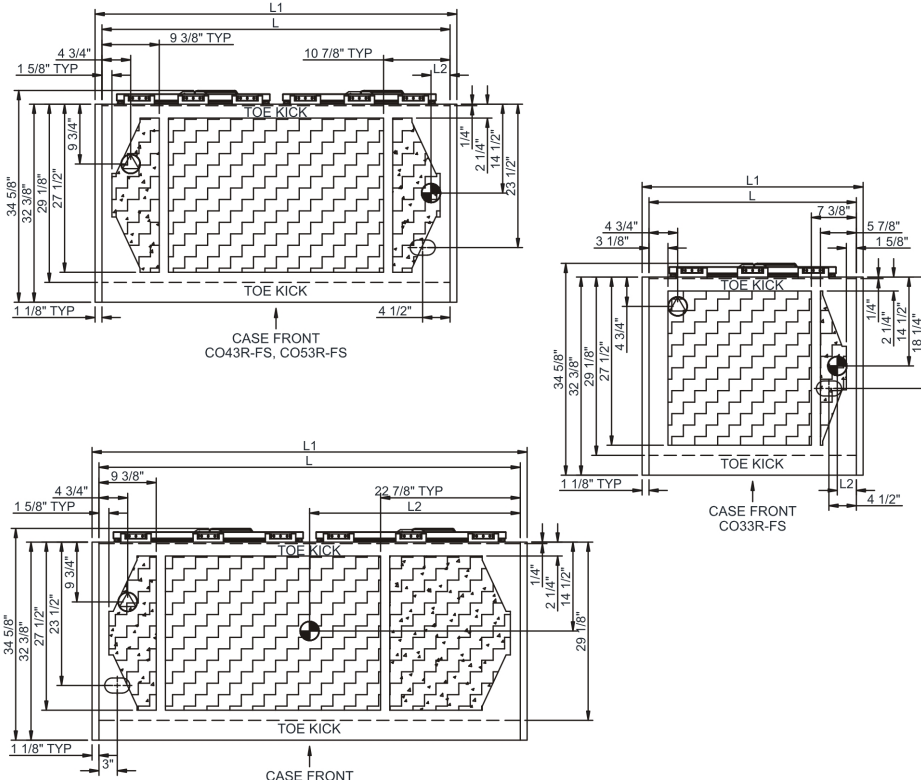
CO33R

Specify	Standard Features	Additional Options
MODEL CONFIGURATION	<ul style="list-style-type: none"> • Freestanding (-FS) Counter ht. 33-3/4"H; freestanding unit w/2 end panels. Top & front panels positioned between end panels 	<ul style="list-style-type: none"> • Counter height (-CH) Counter ht. 33-3/4"H; Top & front panels extended over end panels to blend w/adj. counters (supplied by others) • Undercounter height (-UC) Undercounter ht. 32-3/4"H; front panel extends over end panels to blend w/adj. counters (supplied by others). Counter surface (supplied by others) extends over top of unit
EXTERIOR COLOR	<ul style="list-style-type: none"> • Laminate (stock colors) 	<ul style="list-style-type: none"> • Laminate (non-stock colors) • Stainless steel
INTERIOR COLOR	<ul style="list-style-type: none"> • Powder coated Silversan Black 	<ul style="list-style-type: none"> • Stainless steel
REAR EXTERIOR COLOR	<ul style="list-style-type: none"> • Black 	<ul style="list-style-type: none"> • Stainless steel
END PANELS	<ul style="list-style-type: none"> • Full w/stainless steel mirror interior 	<ul style="list-style-type: none"> • Curved w/stainless steel mirror interior (-FS model only) • None (synchronized defrost required)
REAR DOORS	<ul style="list-style-type: none"> • None (solid back panel) 	<ul style="list-style-type: none"> • Solid rear flip-down door(s) w/ lock (rear access only)
ELECTRICAL CONNECTION	<ul style="list-style-type: none"> • 6' Straight blade power cord (self-cont.) 	<ul style="list-style-type: none"> • 6' Locking power cord (self-cont.) • Electrical leads (remote)
REFRIGERATION	<ul style="list-style-type: none"> • Breeze~E (Type-II) self-contained refrigeration (rear access) 	<ul style="list-style-type: none"> • Breeze~E (Type-II) self-contained refrigeration (front access)(w/ 2"D open rear wall spacer) • Note: Remote doesn't incl Conds unit. Floor drain reqd. 1 • Remote w/thermostat, solenoid & TXV (front access) 2 • Remote w/thermostat, solenoid & TXV (rear access)
MISCELLANEOUS		<ul style="list-style-type: none"> • Second year parts & labor warranty (excludes compressor)
ACCESSORIES		<ul style="list-style-type: none"> • 2"D Full chimney rear wall spacer (front access only) • 2"H Full depth display riser(s) for lower display • Clean Sweep® coil cleaner (self-cont.) • Night curtain, retractable, non-locking • Removable solid security cover, locking

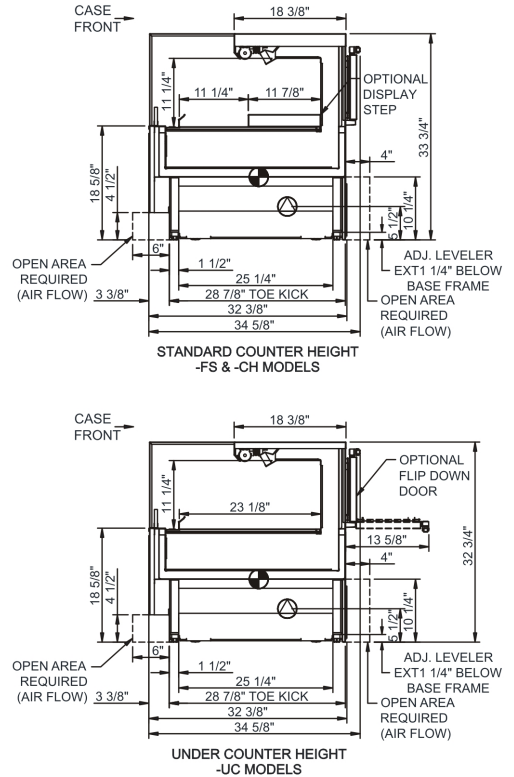
Option Notes: 1 - See tech spec for remote load reqmts
2 - See tech spec for remote load reqmts

Intended Environment: Type II - Designed to operate in ambient conditions of 80°F and 55% relative humidity unless noted otherwise in system information below.		
Zone	Intended Product To Be Displayed	Warmest Avg Prod Temp ° F
1	Packaged refrigerated products	40

PLAN VIEW



SIDE VIEW



NOTE: ALL DIMENSIONS APPROXIMATE

- ELECTRICAL JUNCTION BOX (SUPPLIED WITH 6" LEADS OR POWER CORD).
- LOCATION OF DRAIN TUBE FOR REMOTE REF. ONLY (SUPPLIED WITH 3/4" OR 1 1/2" PVC TUBE).

- REFRIGERATION LINE CONNECTION.
- REMOTE FLOOR SINK & UTILITIES ACCESS AREA.

- SELF-CONTAINED CASE SERVICE ACCESS AREA.
- DRY CASE SERVICE ACCESS AREA.

Model Technical Specifications

Model	L"	L1"	L2"	System Circuit Volts		Phs	Freq	Amps ***	Watts	Wires	NEMA Plug	SST	Conv. Rack BTU/H	Para. Rack BTU/H	Est Wt	
				Circuit #1	110-120											
CO33R	34.00	36.25	3.13	Remote (DX)	Circuit #1	110-120	1	60	1.12	42	2+G	Leads Multiple	20.00	1706	1580	650
				Self-Contained (R513A)	Circuit #1	110-120	1	60	11.98	1,050	2+G	5-15P or L5-15P	N/A	N/A	N/A	
CO43R	45.00	47.25	3.13	Remote (DX)	Circuit #1	110-120	1	60	1.14	40	2+G	Leads Multiple	20.00	1922	1780	700
				Remote (GLYCOL 35%)	Circuit #1	110-120	1	60	1.14	36	2+G	Leads Multiple	20.00	1922	1780	
CO53R	57.00	59.25	3.13	Remote (DX)	Circuit #1	110-120	1	60	1.22	52	2+G	Leads Multiple	20.00	2419	2240	750
				Remote (GLYCOL 35%)	Circuit #1	110-120	1	60	1.22	47	2+G	Leads Multiple	20.00	2419	2240	
CO63R	69.00	71.25	34.50	Remote (DX)	Circuit #1	110-120	1	60	1.56	75	2+G	Leads Multiple	20.00	2981	2760	850
				Remote (R744 TRANSCRIT)	Circuit #1	110-120	1	60	1.56	75	2+G	Leads Multiple		2981	2760	
				Self-Contained (R513A)	Circuit #1	110-120	1	60	15.20	1,211	2+G	5-20P or L5-20P	N/A	N/A	N/A	

*** Does not include electric defrost on freezer models.

Regulatory Approvals:

All Models
 Accordance with AHRI Std 1200
 ETL Listed to UL 471
 ETL Listed to CAN/CSA 22.2 No. 120
 ETL Sanitation to NSF/ANSI 7



In Accordance with
AHRI Std 1200

DOE 2017
 Energy Efficiency
 Compliant

Important Notes:

- ELECTRICAL NOTE: If GFCI is required, a GFCI breaker MUST be used in lieu of a GFCI receptacle
- 33" Minimum entry door clearance required (w/out shipping skid)
- Performance issues (product temperatures, water on floor, etc.) caused by adverse conditions are not covered by warranty.
- Keep unit at least 15' from exterior doors, overhead HVAC vents, or any air curtain disruption.
- Do not expose unit to direct sunlight or any heat source (ovens, fryers, etc.).
- Compressor air rear intake, front discharge at toe kick. Front and rear panels cannot be blocked. Must remain 4" from wall.

⚠ WARNING: This product can expose you to chemicals, including Urethane (Ethyl Carbamate), which are known to the State of California to cause cancer and birth defects or other reproductive harm. For more information go to www.P65Warnings.ca.gov.