

# EWT Series Economy Work Tables

## 30" Depth With Backsplash



### Special Features:

- ✓ Economy Grade Work Tables
- ✓ Work Area: Stainless Flat Top 6-1/2ft<sup>2</sup> - 20ft<sup>2</sup>
- ✓ Sturdy 18-Gauge 430 Stainless Steel Work Area
- ✓ High Loading Capacity for Work Area & Undershelf
- ✓ Undershelf Material: 18-Gauge Galvanized Steel
- ✓ 2" Backsplash
- ✓ Galvanized Steel Hat Channel
- ✓ Galvanized Steel Legs With 1-5/8" Diameter
- ✓ Plastic Adjustable Bullet Feet

### About Empura Economy Work Tables:

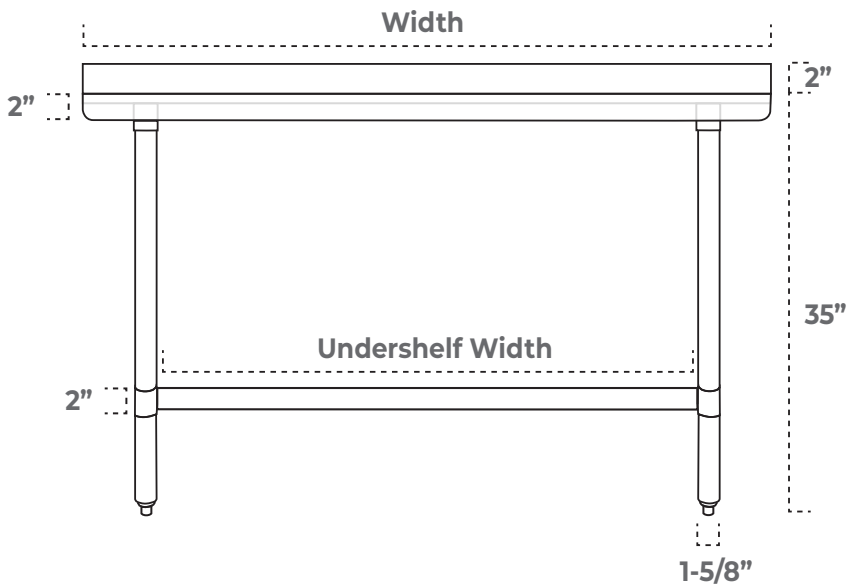
Empura work tables are an economical choice when looking to update, or expand your existing working and storage area. The heavy duty 18 gauge 430 stainless steel and 18 gauge galvanized construction, strong undershelf, easily adjustable feet, 1-5/8" diameter legs, and 2" backsplash makes these work tables the sturdy and dependable workhorse models that kitchen staff can rely on to provide unwavering stability and support for whatever task they need to accomplish.

### TECHNICAL SPECS

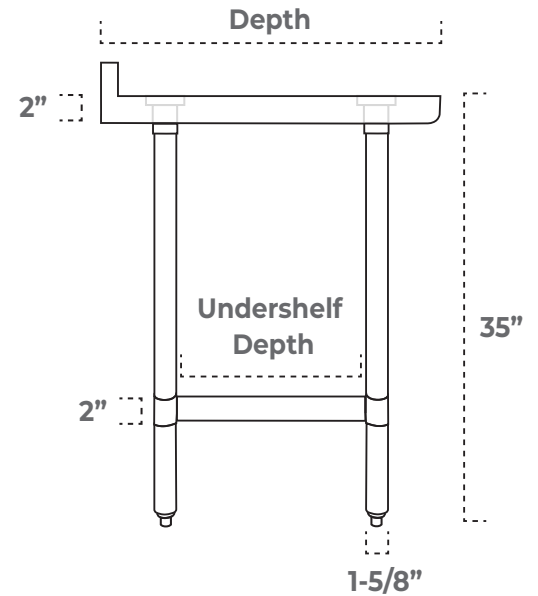
Model #	EWTB3030	EWTB3036	EWTB3048	EWTB3060	EWTB3072	EWTB3096
Overall Width	30"	36"	48"	60"	72"	96"
Overall Depth	30"	30"	30"	30"	30"	30"
Overall Height	35"	35"	35"	35"	35"	35"
Leg Diameter	1-5/8"	1-5/8"	1-5/8"	1-5/8"	1-5/8"	1-5/8"
Undershelf Width	24"	30"	42"	54"	66"	90"
Undershelf Depth	24"	24"	24"	24"	24"	24"
Shelf Thickness	2"	2"	2"	2"	2"	2"
Backsplash Height	2"	2"	2"	2"	2"	2"
Top Shelf Loading Capacity	440 lb.	470 lb.	500 lb.	520 lb.	540 lb.	680 lb.
Undershelf Loading Capacity	330 lb.	350 lb.	370 lb.	390 lb.	410 lb.	480 lb.
Shipping Weight	48.62 lb.	54.34 lb.	68.2 lb.	79.64 lb.	91.3 lb.	122.76 lb
Top Shelf Material	430 SS	430 SS	430 SS	430 SS	430 SS	430 SS
Top Shelf Gauge	18 G	18 G	18 G	18 G	18 G	18 G
Undershelf Material	Galvanized Steel	Galvanized Steel	Galvanized Steel	Galvanized Steel	Galvanized Steel	Galvanized Steel
Undershelf Gauge	18 G	18 G	18 G	18 G	18 G	18 G
Hat Channel Material	Galvanized Steel	Galvanized Steel	Galvanized Steel	Galvanized Steel	Galvanized Steel	Galvanized Steel
Leg Material	Galvanized Steel	Galvanized Steel	Galvanized Steel	Galvanized Steel	Galvanized Steel	Galvanized Steel
Foot Material	Plastic	Plastic	Plastic	Plastic	Plastic	Plastic.

## UNIT VIEW

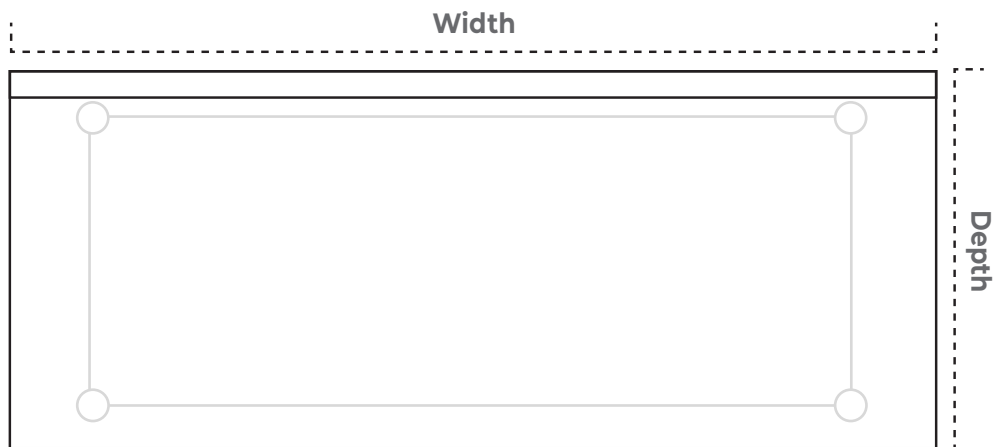
Front View



Side View



Top View



**Intended For Commercial Use Only.** Empura assumes no liability for component failure, factory defects or any other damages for units installed in non-commercial foodservice or residential applications.

**Attention CA Residents:** This product can expose you to chemicals including lead, which are known to the State of California to cause cancer, birth defects, or other reproductive harm. For more information, go to [www.p65warnings.ca.gov](http://www.p65warnings.ca.gov).