

APPLICATION:

PRODUCT NAME:
DrainKing WASTE VALVE

JOB NAME:

SPECIAL CONFIGURATION
CHECK BASE MODEL AND OPTIONS

QUANTITY:

ITEM NO.

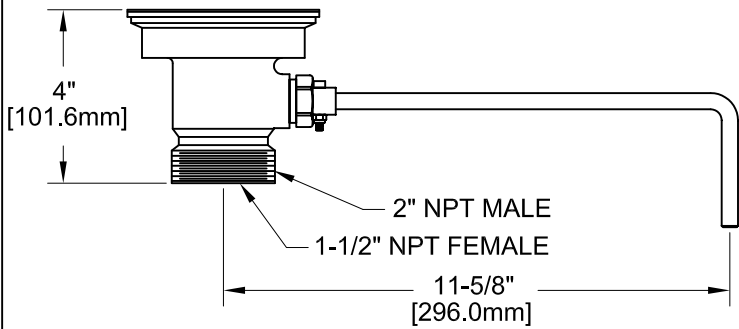
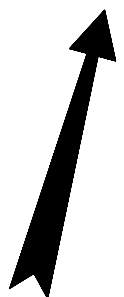
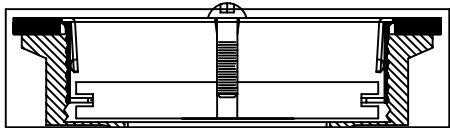
MODEL:
 65676 W/ VR FLAT STRAINER

OPTIONS OR MODIFICATIONS:
 OTHER _____

FEATURES:
* DUAL TEFLON SEALS
* STAINLESS STEEL BALL
* CAST RED BRASS BODY
* STAINLESS STEEL CLAMPING RING
* "CLEAR THROUGH" OPENING, NO NEED TO DISASSEMBLE IF SNAKING IS REQUIRED
* INDUSTRY STANDARD "SEALING" ANGLE - FITS FLUSH TO STANDARD STAINLESS STEEL SINKS
* VANDAL RESISTANT STAINLESS STEEL FLAT STRAINER
* LEVER HANDLE
* 1/4 TURN FULLY OPENS AND CLOSES VALVE

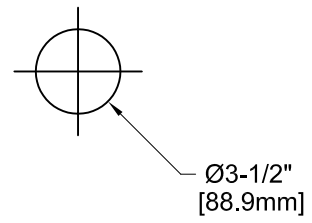
DRAIN RATE:
* 12 GPM

SHIPPING WEIGHT
* 5.0 LBS



ROUGH-IN:

DRAIN:



FISHER
FISHER MANUFACTURING COMPANY
TOLL FREE: 800-421-6162 - FAX: 800-832-8238
information@fisher-mfg.com - www.fisher-mfg.com