

# Replacement Parts



## List EmberGlo® Steamer Model ES5PB & ES5PB18

*Tap Water Operation  
Designed to Operate  
Without Distilled Water  
Direct Water Supply Hookup*



★ MADE in the USA ★

Manual Push Button Operation  
Steamer with Direct Water Hookup

Installation and Service Manual - 8449-96

Date Code - Model ES5PB & ES5PB18  
first construction May, 1983

Items listed are replacement parts for the current Model ES5PB & ES5PB18 Tap Water Steamer and its components.

- EmberGlo Steamers do not require a separate hood for vapor produced during operation according to the Uniform Mechanical Codes per the International Conference of Building Officials Code.

<i>Models</i>	<i>Description</i>	<i>Volts</i>	<i>BOMs</i>
<b>1500W</b>			
ES5PB	Push Button Operation with Direct Water Connect	120V	5400733
ES5PB	Push Button Operation with Direct Water Connect	240V	5400734
<b>1800W</b>			
ES5PB18	Push Button Operation with Direct Water Connect	120V	5400732



**EmberGlo®**

EmberGlo  
A Div of Midco® International Inc.  
4140 West Victoria Street  
Chicago, Illinois 60646  
toll free 866.705.0514  
tel 773.604.8700  
fax 773.604.4070  
web www.emberglo.com  
e-mail sales@emberglo.com

**AVOID ERROR IN PARTS SELECTION.** When ordering use complete EmberGlo Part Number and Description. Furnish Model Number, Bill of Material Number and Serial Number (if available) from the specification plate found on the product.

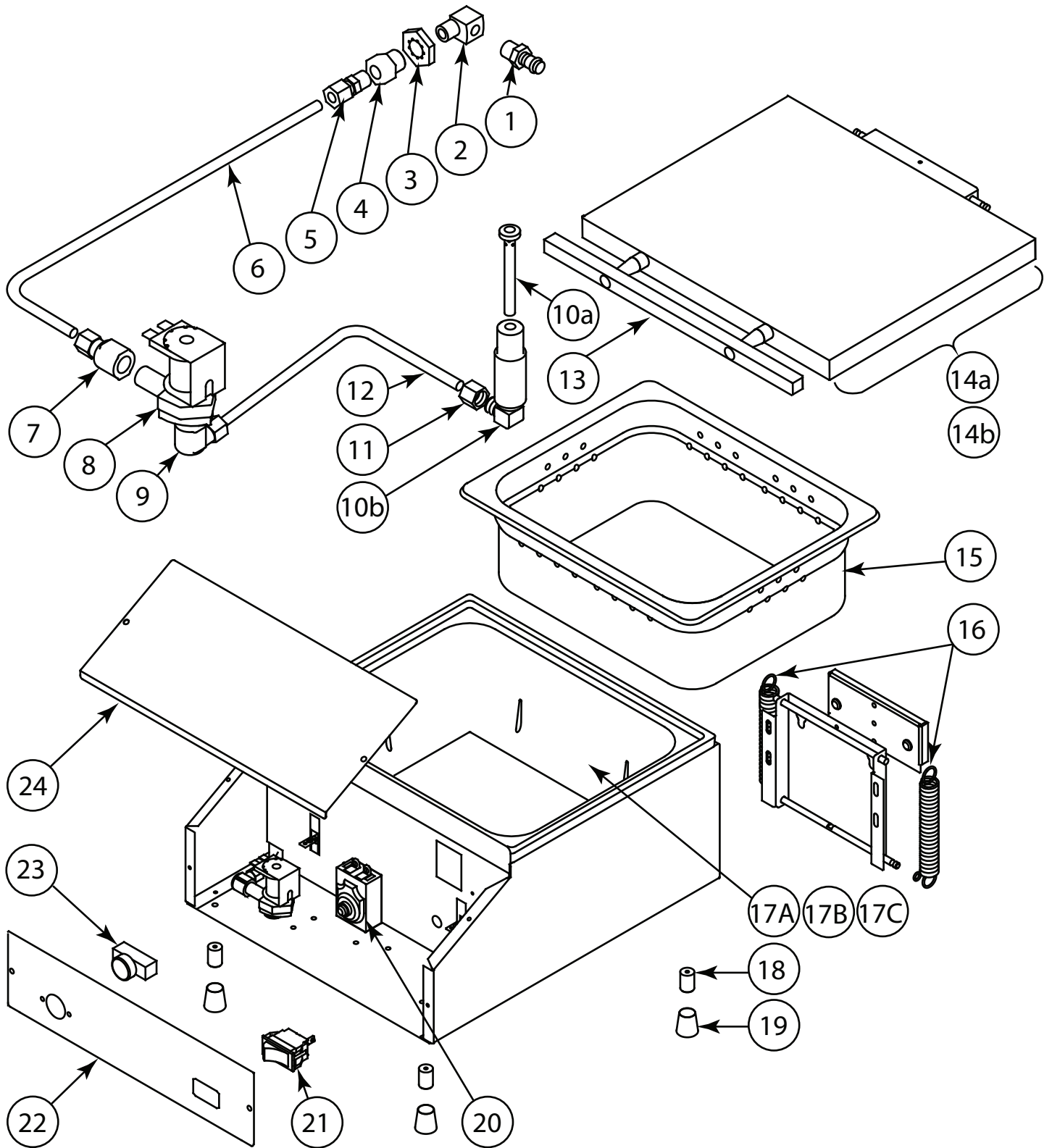
**IMPORTANT:** Availability of parts as well as specifications are subject to change without notice.

*As an ISO 9001:2008 certified company, we proudly design, manufacture and assemble our products in Chicago, Illinois, USA.*

*Quality Designed for Proven Performance*

416  
**8472 52**  
Printed in USA

# ES5PB & ES5PB18 - Exploded View



# ES5PB & ES5PB18 - Parts List

Item#	Part #	Description	Qty	Item#	Part #	Description	Qty
1	8451-47	1/8" Quick Connect Insert	1	<b>Not shown</b>			
2	8483-15	1/8" Brass Street El	1	1408-70	Hose Assembly	1	
3	Hardware	Pal Nut	1	1420-00	Spring Bar	2	
4	1408-40	Bulkhd FTG	1	1421-45	Back Hinge Replacement Kit	1	
5	8483-14	1/8" X 1/4" Straight Connector	1	5608-50	Food Pan Grid 1/2" Tall	1	
6	1408-50	Long Water Tube and Fittings	1	5608-51	Food Pan Grid 1 1/2" Tall	1	
7	8483-16	1/4 X 1/4 Comp El	1	5622-00	Emberglo Name Plate	1	
8	8402-26	1/4" Water Solenoid Valve - 120v	1	8432-08	O Ring	1	
9	8483-49	1/4 X 1/4 Comp Straight	1	8451-46	Strainer	1	
10a	1411-20	Nozzle Tube Assembly w/ Spring	1	8451-48	1/8" Quick Connect Body	1	
10b	1402-70	Water Inlet Assembly	1	8451-49	Female Hose Barb	2	
11	Hardware	Brass Hex Nut	1	8457-46	Strain Relief	1	
12	1408-60	Short Water Tube and Fittings	1				
13	1435-00	Lid Handle Replacement Kit	1				
14a	1420-80R	Lid Assembly (Lid Handle included)	1				
14b	1420-81R	Lid Assembly 1800 Series only (Lid Handle included)	1				
15	1401-90	ES5 Food Pan	1				
16	1420-40	Hinge Spring	2				
17A	1401-64	Generator (120 volt)	1				
17B	1401-61	Generator (220 volt)	1				
17C	1401-63	Generator (1800 Watt)	1				
18	5661-80	Aluminum Leg	4				
19	8450-25	Socket Tip	4				
20	1412-41	Thermal Fuse /Thermostat Kit	1				
21	8423-15	On/Off Rocker Switch	1				
22	1409-20	PB Switch Panel	1				
23	8423-22	Push Button Switch	1				
24	1401-20	Control Box Cover	1				

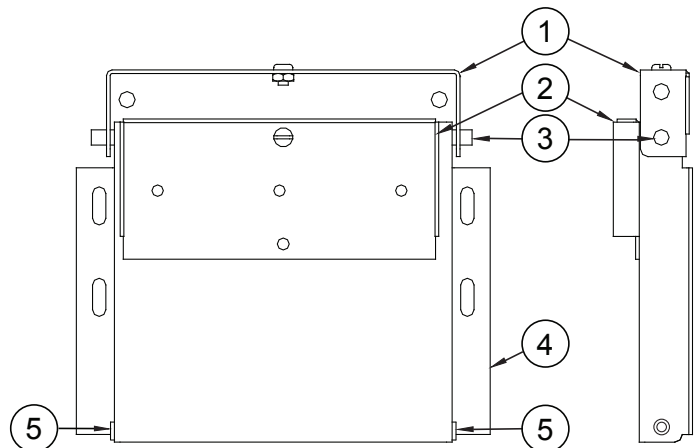
## Accessories - Not Shown

5682-60	Tortilla/Pita Rack - Grid Style
5608-70	Three in 1 Basket Kit w/ Handle
5608-72	1/2 Size Basket w/ Handle
5608-73	Two of 1/4 Size Basket w/ Handle
8450-62	Steam Generator Cleaning Brush
2070610	Egg Poacher - 4 Cup
2070615	Egg Poacher - 6 Cup

## ADJUSTABLE HINGE FOR 2-POSITION LID OPENING (60° OR 90° OPEN)

First construction January 29, 1990 (date code 0590). Steamers built before this date featured a 90° opening lid. Replacement parts for the early construction are no longer available. When replacing order Part Number 1421-45 ADJUSTABLE HINGE RETROFIT KIT.

Part # or Item #	Description	Qty
1	Adjustable Upper Hinge	1
2	Lid Stop Rivetment	1
3	Upper Hinge Bar	1
4	Adjustable Lower Hinge	1
5	5/16" x 3/16" O-Ring	2
Not Shown - (Sold Separately)		
1420-00	Spring bar	2
1420-40	ES5 Hinge Spring	2



★MADE in the USA★

*As an ISO 9001:2008 certified company, we proudly design, manufacture and assemble our products in Chicago, Illinois, USA.*

EmberGlo - A Division of Midco International - 4140 West Victoria Street - Chicago, Illinois 60646

toll free: 866 705 0515 - tel: 773.604.8700 - fax: 773.604.4070 - web: [www.emberglo.com](http://www.emberglo.com) - e-mail: [sales@emberglo.com](mailto:sales@emberglo.com)

