

EmberGlo® Accessories

Broilers and Steamers



Accessories for Broilers and Steamers

Increase your efficiency with accessories made just for your broilers and steamers. Our Fish Grill is great for broiling fish but it is also handy for broiling smaller cuts of meats and veggies. Steam cut veggies, tacos or pita bread with our easy to use Steaming Baskets. Make cleanup fast with one of our stainless steel brushes. Is hard water in your area a problem? Our Demineralizer Kit will soften the water before it is used by your appliance.



Half Pan Size Basket - 5608-72
 Quarter Pan Size Basket (2 pk) - 5608-73
 3 in One Basket Set (1 Half and 2 Quarters) - 5608-70
 (Basket Sets come with a Handle)

Demineralizer Kit
 2090400



Grill Brush - Gas Broiler - 1420-39
 Grill Brush - Electric Broiler - 1420-36
 Cleaning Brush - Steamer - 8450-62



10" Splatter Guard
 for Electric Broiler
 2070400 (E2424)

Seafood Veggie Grate
 FG1 - Model 25
 FG2 - Model 31
 FG3 - Model 41

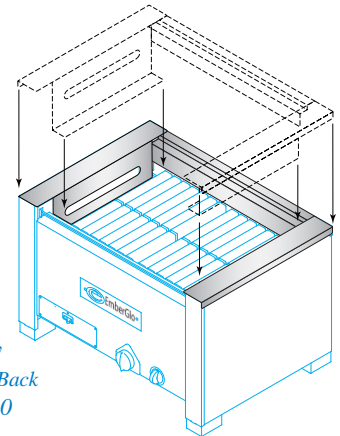
Kabob Skewers
 Set of 10
 20 1/2" - 4508-68
 24" - 4508-69



Tortilla Rack
 (Pita Rack)
 5682-60



Splash Guards
 Stainless Steel
 Dishwasher Safe
 Models 25W only
 Set of 2 Sides & 1 Back
 2060130



Egg Poacher
 2070610
 4 Cup
 2070615
 6 Cup



Specifications

	Item Descriptions	Part Number	For Use With ...	Dimensions	Shipping Weight
Broilers - Gas	Seafood FG-1	2070702	Broiler Gas # 25	14 3/4" x 9 1/8"	4 1/2 lb
	Veggie FG-2	2070700	Broiler Gas # 31	14 3/4" x 9 1/8"	4 1/2 lb
	Grate FG-3	2070701	Broiler Gas # 41	12 3/4" x 14 3/4"	5 lb
	Kabob Skewers - 20 1/2"	4508-68	Broiler Gas # 25 & 25W	20 1/2" L	3 1/2 lb
	Kabob Skewers - 24"	4508-69	Broiler Gas # 31	24" L	4 lb
	Gas Broiler Grill Brush - BK-5	1420-39	Broiler Gas all models	30 1/2" L x 7 1/2" W	3 lb
	Kabob 25W Splash Guard	2060130	Broiler Kabob 25W	Two Sides & One Back	5 lb
Broilers - Electric	Splash Guard	2070300	Broiler Electric E2412	10" H sides and back	10 1/2 lb
		2070400	Broiler Electric E2424	10" H sides and back	11 1/2 lb
		2070500	Broiler Electric E2436	10" H sides and back	12 1/2 lb
		Electric Broiler Grill Brush - JB-Q	1420-36	Broiler Electric all models	24" L x 7 1/4" W
Steamers	Tortilla (and Pita) Rack	5682-60	Steamer ES5, ES10	10 1/4" L x 7 5/8" W x 3 1/4" H	1 lb
	Three in One Basket Set w/ Handle	5608-70	Steamer ES5, ES10	10 2/3" L x 8 1/8" W x 3" H	1 1/2 lb
	1/2 Pan Size Basket w/ Handle	5608-72	Steamer ES5, ES10	10 2/3" L x 8 1/8" W x 3" H	1 3/4 lb
	Two of 1/4 Pan Size Basket w/ Handle	5608-73	Steamer ES5, ES10	7 7/8" L x 5 1/8" W x 3" H	1 lb
	Egg Poacher 4 Cup	2070610	Steamer all models	10" L x 10" W	2 lb
	6 Cup	2070615	Steamer all models	12" L x 10" W	2 1/2 lb
	Demineralizer Kit	2090400	Steamer AR	24" L x 12 5/8" W x 8 1/2" H	10 lb
Steamer Generator Cleaning Brush	8450-62	Steamer ES5, ES10	7 3/4" L	1/2 lb	



EmberGlo
 A Div of Midco® International Inc.
 4140 West Victoria Street
 Chicago, Illinois 60646
 toll free 866.705.0515
 tel 773.604.8700
 fax 773.604.4070
 web www.emberglo.com
 e-mail sales@emberglo.com

★ MADE in the USA ★
 As an ISO 9001:2008 certified company, we proudly design, manufacture and assemble our products in Chicago, Illinois, USA.

Quality Designed for Proven Performance



915
 8474 98
 Printed in USA