



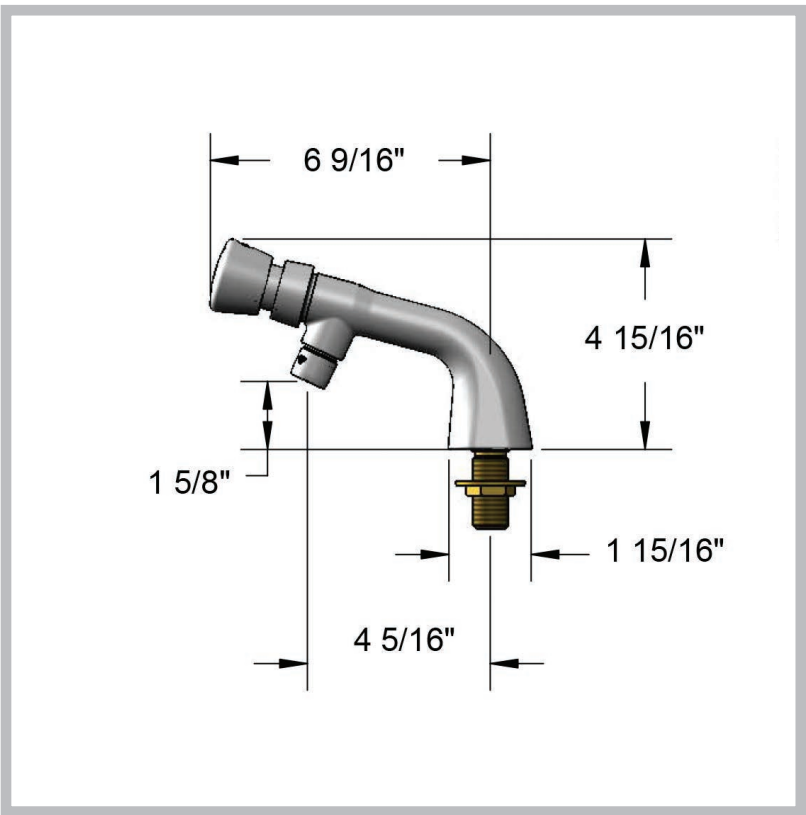
K-190 ELECTRONIC DECK MOUNT FAUCET

Conforms To NSF 61/9 Lead Free Requirements

Item #:	_____	Qty #:	_____
Model #:	_____		
Project #:	_____		



DIMENSIONS and SPECIFICATIONS



FEATURES:

- Single hole, single temperature deck mount faucet.
- 2.2 GPM aerator, Series 2 (B-0199-02).
- Metering cartridge.
- Adjustable metering cycle, 10 to 30 seconds.
- Blank push button cap w/ vandal resistant screw.
- Mechanical mixing valve w/ integral check valves.
- 18" flexible stainless steel supply hoses with 3/8" compression female inlets.

MATERIAL:

- Polished chrome plated brass body.
- Chrome plated metal handle.



WARNING:
Faucet(s) on this page may expose you to chemicals, including lead, that are known to the State of California to cause cancer or birth defects or other reproductive harm. For more Info., visit www.p65warnings.ca.gov.



Customer Service Available To Assist You **1-800-645-3166** 8:30 am - 8:00 pm E.S.T.

For Orders & Customer Service:
Email: customer@advancetabco.com or Fax: 631-242-6900

For Smart Fabrication™ Quotes:
Email: smartfab@advancetabco.com or Fax: 631-586-2933