

MAX Open Merchandisers - Produce
35E Series – (SC) 74" Height
(R) 60" Height – Endless Design



SC-OP35E-4L-LB-B*
***ARTIST RENDERING**



R-OP35E-4L-LB-B*
ARTIST RENDERING

STANDARD FEATURES

- **NEW** Lower base, maximizes display space
- Self contained and remote
- Black exterior and interior
- Heavy gauge steel super structure
- Multi deck
- Endless design
- 1" bumper
- 4" Curved plexi end panels
- LED lighting
- Full length lighting at top of unit
- 2 rows of lighted shelving
- 3 levels of product display
- Full length mirror to enhance product display
- Electronic control system to maintain balanced temperatures (SC)
- Tag molding on each shelf
- Unit comes with cord and plug (SC)
- UL/CUL listed

OPTIONAL FEATURES

- Wide view curved plexi end panels
- Night covers
- Digital thermometer
- Condensate pan and pump kit

| Remote Model No. | Description | Length | Depth | Height | Voltage | Amps | HP/ BTUs | Power Cord | Est. Ship Weight |
|------------------|----------------|--------|--------|--------|-------------|------|----------|------------|------------------|
| SC-OP35E-4L-LB-B | Self Contained | 51.00" | 34.50" | 74.00" | 115/208-230 | 13.0 | 1/2 | L14-20P | 895 |
| R-OP35E-4L-LB-B | Remote | 51.00" | 34.50" | 60.00" | 115 | 3.0 | 4733 | No | 550 |

MODEL NUMBER PREFIX: SC = Self Contained, R = Remote

MODEL NUMBER SUFFIX: B = Black,

- Cases are designed to operate at 75 degrees Fahrenheit and 55% relative humidity
- Cases are equipped with drains; check your local building codes for connection requirements.
- Specification subject to change without notice



Standard Specifications and Optional Features

CONSTRUCTION

- UL Classified to ANSI/NSF 7
- Foamed in place CFC free foam
- Heavy gauge steel super structure
- Multi deck
- Endless design allows for continuous line up
(Remotes Only)

INTERIOR

- Black
- Removable black floor pans
- Black perforated rear wall (for even air distribution)
- Full length lighting at top of unit
- 2 levels of lighted shelving
- 3 levels of product display
- Full length mirror to enhance product display
- Price tag molding on each shelf

EXTERIOR

- Black ends, front and rear
- Removeable front grill allows for cleaning and servicing
- 1" bumper
- 4" curved plexi end panels

LIGHTING

- 1 row at inside top of unit
- 2 rows of lighted shelving

ELECTRICAL REQUIREMENTS

- Self contained unit comes with cord and plug
- UL/CUL listed
- See Tech page for details on voltage

REFRIGERATION

- Self contained expansion valve system
- Remote; R448A expansion valve system
- Low velocity fans located below deck area (to insure even flow of air)
- Electronic Control System with automatic air defrost to maintain balanced temperatures (SC)
- New high efficiency air screen technology

OPTIONAL FEATURES

- Wide view curved plexi end panels
- Night covers
- Digital thermometer
- Condensate pan and pump kit

Important Note:

All refrigerated cases are designed to operate in an environment of 75 degrees and 55% relative humidity. Product must be cooled before being displayed within the case.

DRAIN IS REQUIRED

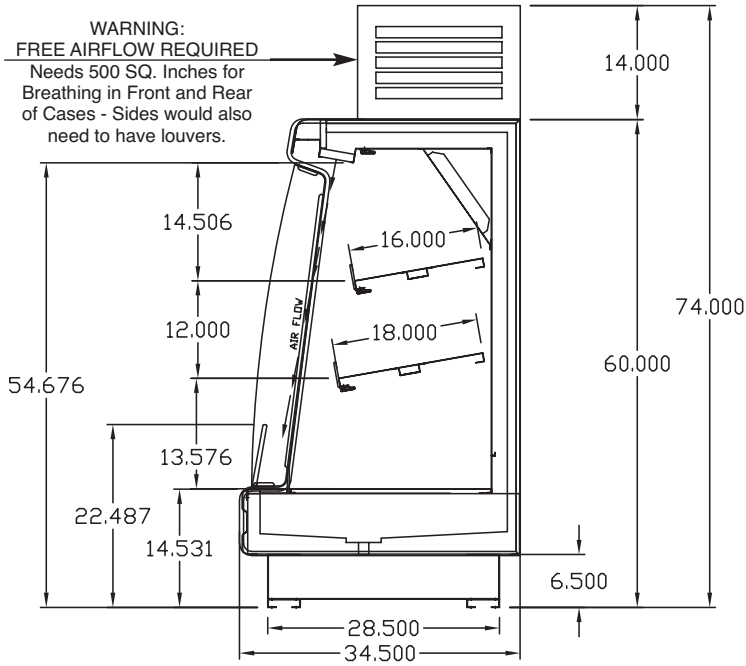


Technical Data

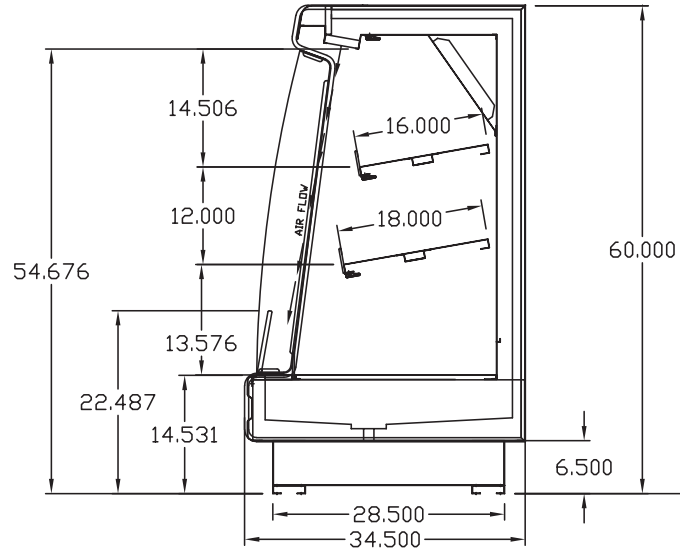
| Model No. | SC-OP35E-4L-LB-B | | R-OP35E-4L-LB-B |
|--|------------------|------------|------------------|
| Length with (2) ends | 51" | | 51" |
| Length without ends | 48" | | 48" |
| Height with ends | 74" | | 60" |
| Depth with ends | 34.5" | | 34.5" |
| Depth without ends | 34" | | 34" |
| Endless design (Dimensions are +/- 1/4") | NO | | YES |
| Operating temperature | 36°F to 40°F | | 36°F to 40°F |
| Refrigerant (exp. valve) | | | R448A |
| Defrost per day (24 hours) | Air Defrost | 6 per day | 6 per day |
| BTU's at +20°F Evap. Temp. | N/A | | 4733 |
| Remote Voltage | 115/208-230 | | 115 |
| Amperage | SC | 13.0 | |
| Amperage, lights only | R | N/A | 3.0 |
| Cord and plug | SC | Nema 5-20P | No |
| Exterior color | BLACK | | BLACK |
| Interior color | BLACK | | BLACK |
| # of rows / shelves | 2 | | 2 |
| Shelf Size | (1) 16", (1) 18" | | (1) 16", (1) 18" |
| Shipping Info | | | |
| Height | 86" | | 68" |
| Depth | 44" | | 44" |
| Length | 61" | | 61" |
| Gross weight | 895 | | 550 |
| Cubic feet | 134 | | 106 |



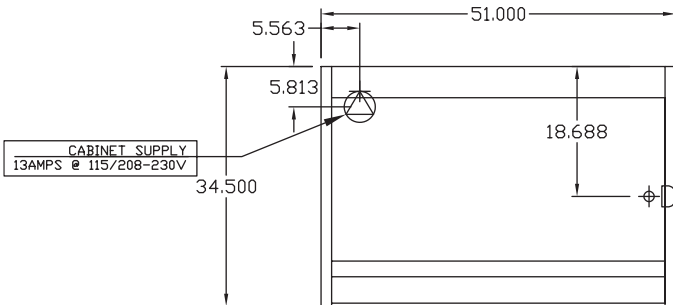
Side View SELF CONTAINED



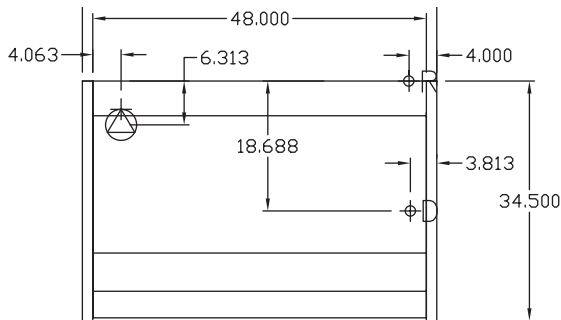
Side View REMOTE



4' Plan View SELF CONTAINED



REMOTE



Front View SELF CONTAINED

