



MODULAR SPREADER

TITAN MODULAR SPREADER



JMPR-12
(shown without legs)

MODEL NO.	DESCRIPTION
<input type="checkbox"/> JMPR-6	6" MODULAR SPREADER
<input type="checkbox"/> JMPR-12	12" MODULAR SPREADER
<input type="checkbox"/> JMPR-18	18" MODULAR SPREADER
<input type="checkbox"/> JMPR-24	24" MODULAR SPREADER
<input type="checkbox"/> JMPR-36	36" MODULAR SPREADER

STANDARD FEATURES

- 1" rear gas connection—see utility information for details
- 14 gauge stainless steel all welded body construction
- Stainless steel top, front, sides and stub back
- Stainless steel 6" plate shelf

AVAILABLE OPTIONS

- Stainless steel high riser
- Stainless steel double high riser
- Stainless steel high shelf
- Stainless steel double high shelf
- Stainless steel tubular high shelf
- Stainless steel tubular double high shelf
- Common plate shelf with Item(s) Model(s) _____
- Cap and cover manifold. Left Right

ACCESSORIES

- 6" casters, front two locking (5" diameter wheel)
- 36" flex hose with quick disconnect (3/4" connection)
- 48" flex hose with quick disconnect (3/4" connection)
- 1-1/4" gas pressure regulator (specify gas type)
- 1" gas pressure regulator (specify gas type)



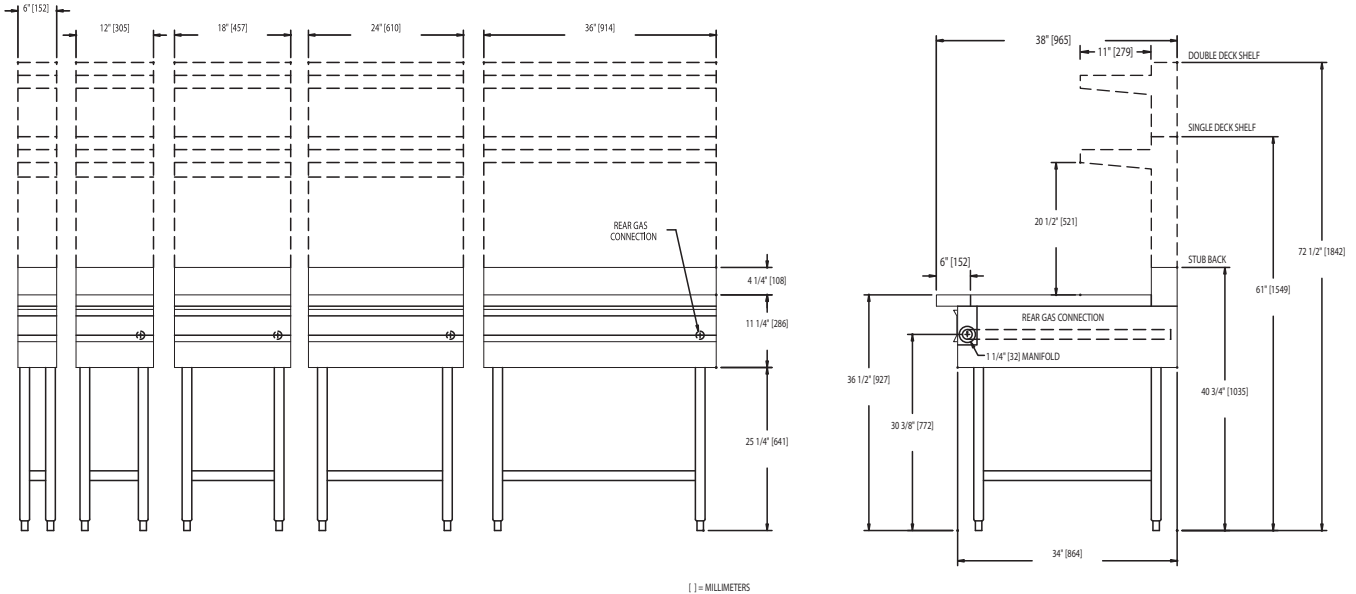
WWW.JADERANGE.COM

JADE RANGE, LLC., A MIDDLEBY COMPANY • 2650 Orbiter Street • Brea, CA 92821 • PHONE: 800-884-5233 FAX: 714-961-2550
Note: In line with their policy to continually improve products, Jade reserves the right to change materials and specifications without notice. PRINTED IN USA





MODULAR SPREADER



MODEL	WIDTH	DEPTH	HEIGHT	APPX. SHP. WT.
JMPR-6	6"	38"	SEE DRAWING	80 LBS.
JMPR-12	12"	38"	SEE DRAWING	100 LBS.
JMPR-18	18"	38"	SEE DRAWING	120 LBS.
JMPR-24	24"	38"	SEE DRAWING	150 LBS.
JMPR-36	36"	38"	SEE DRAWING	190 LBS.

DESCRIPTION:

Modular spreader for heavy duty gas equipment. To be model #JMPR _____ manufactured by Range. Spreader to have 14 gauge all welded steel construction, stainless steel top, front, sides and stub back. Unit to have 6" stainless steel adjustable legs.

SPECIFY TYPE OF GAS WHEN ORDERING.

SPECIFY ALTITUDE WHEN ABOVE 2,000 ft.

UTILITY INFORMATION (GAS):

- Ranges are supplied with 1-1/4" front manifold connection and a 1" or 3/4" capped rear manifold connection. For rear manifold connection, remove cap. Ranges are supplied with 3/4" gas pressure regulator. For 1-1/4" or 1" gas pressure regulator, see accessories. (Specify required front manifold cap and cover when ordering.)
- Required operating pressure:
 Natural Gas 5" W.C. minimum
 Propane Gas 10" W.C. minimum
 14" W.C. maximum

Note: This unit must be connected with the gas appliance regulator supplied.