

Project:

Item Number:

Quantity:

CHICKEN ROTISSERIE OVENS



ROV-08



ROV-15

DESCRIPTION

Vollrath® Chicken Rotisseries combine cooking, holding, and merchandising in one. Baskets accommodate a variety of foods including ribs, roasts, vegetables, and even whole, stuffed fish.

AGENCY LISTINGS



Classified by
UL to
NSF/ANSI 4

Due to continued product improvement, please consult vollrathfoodservice.com for current product specifications.

ITEMS

Item	Model	Description
RO4-208240-8	ROV-08	Rotisserie—8-bird, 208–240V
RO4-208240-15	ROV-15	Rotisserie—15-bird, 208–240V
Accessory	Description	
60089	8-bird Stacking Kit (sold separately)	
60090	15-bird Stacking Kit (sold separately)	

FEATURES & BENEFITS

- Fan evenly circulates heat for better cooking and browning.
- Cook, then keep food warm with two separate modes.
- Removable carousel, doors, drip tray, and baskets clean easily.
- Thermostatically-controlled cooking temperature from 150 °F (66 °C)–450 °F (232 °C) creates precise results.
- Heat Indicator Light shows when set temperature is reached.
- Enhanced structural design improves stability and durability.
- Heavy-duty legs adjust to 4-5" for height flexibility.
- Customer-facing glass panel provides clear product visibility.
- Instant carousel braking allows seamless filling and serving.
- Optional Stacking Kit facilitates space saving.
- Based on independent UL testing, this product complies with NFPA96 for ventless operation using the EPA202 test method. Ventless allowance is dependent upon AHJ approval.
- 6' cord with plug allows placement flexibility.

WARRANTY

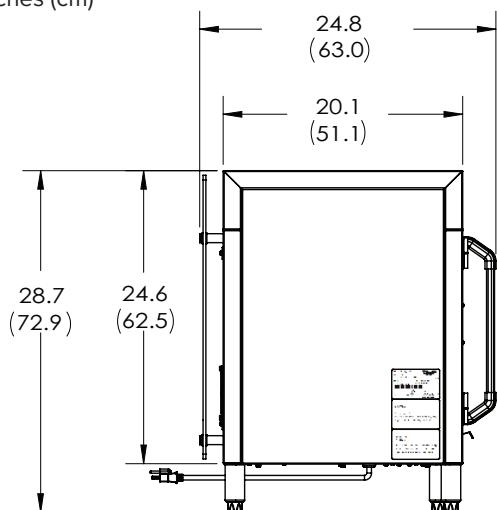
All models shown come with a Vollrath® 1-year standard warranty against defects in materials and workmanship. For full warranty details, please refer to vollrathfoodservice.com.

Approvals	Date

CHICKEN ROTISSERIE OVENS

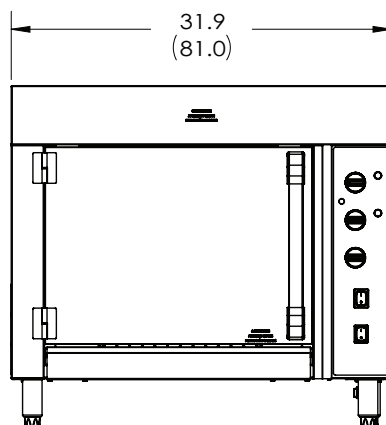
DIMENSIONS

Shown in inches (cm)

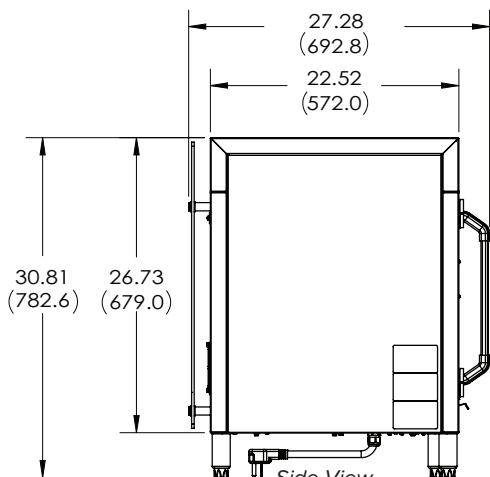


Side View

8-Bird

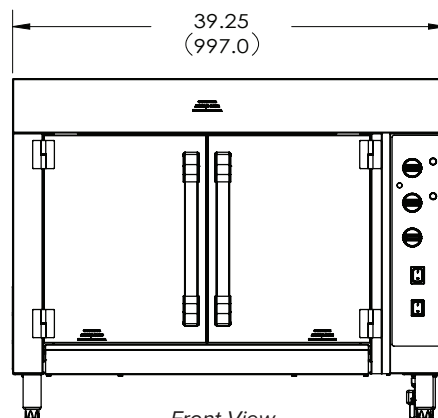


Front View



Side View

15-Bird



Front View

SPECIFICATIONS

Item	Description	Cooking Chamber Size (in)			Amps	Watts	Volts	Shipping				Plug & Receptacle
		W	H	D				Weight (lb)	W (in)	H (in)	D (in)	
RO4-208240-8	8-Bird	20.6	18.3	18.8	13.9–16.0	2884–3840	208–240	170	37.4	35.3	33.1	NEMA 6-20P & R
RO4-208240-15	15-Bird	27.8	20.5	21.3	20.8–24.0	4326–5760	208–240	211	44.4	37.4	35.5	NEMA 6-30P & R



The Vollrath Company, L.L.C.
 1236 North 18th Street
 Sheboygan, WI 53081-3201 U.S.A.
 Main Tel: 800.624.2051 or 920.457.4851
 Main Fax: 800.752.5620 or 920.459.6573
 Customer Service: 800.628.0830
 Canada Customer Service: 800.695.8560

Technical Services
 techservicereps@vollrathco.com
 Induction Products: 800.825.6036
 Countertop Warming Products: 800.354.1970
 All Other Products: 800.628.0832