



ATLAS METAL

1135 N.W. 159th DRIVE, MIAMI, FLORIDA 33169

TEL 305.625.2451

TOLL FREE 800.762.7565

FAX 305.623.0475

WWW.ATLASFOODSERV.COM

SALES@ATLASFOODSERV.COM

Project: _____

Item No.: _____

Quantity: _____

DROP-IN SERVING EQUIPMENT



WB-15

ICE CHEST Non-Mechanical

WB-15

WB-19

SPECIFICATIONS

TOP: Constructed of 18 gauge, type 304 stainless steel, die stamped with a raised perimeter bead. There shall be a solid vinyl gasket under the beaded edge to form a seal to the counter top, thus preventing seepage or marring of the counter top.

ICE CHEST: The inner liner shall be 22 gauge, type 304 stainless. All corners are covered with a minimum 1/4" radius. A 3/4" dia. threaded drain fitting is provided.

INSULATION: The pan is fully insulated with high density polystyrene, 1" thick on all sides, 1-1/2" thick on the bottom and enclosed with a 24 gauge galvanized steel outer liner.

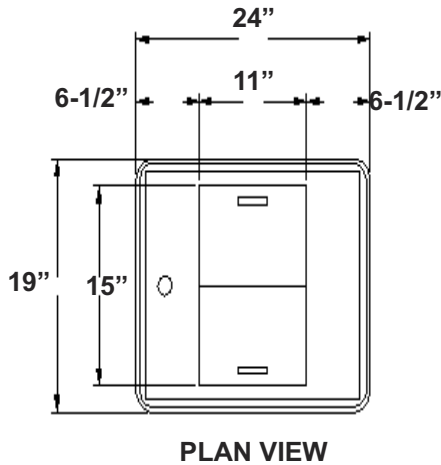
LID: The ice chest is provided with a S/S double pan, insulated lid with a rubber, self-insulating hinge. The entire lid is removable.

Specifications subject to change without notice.

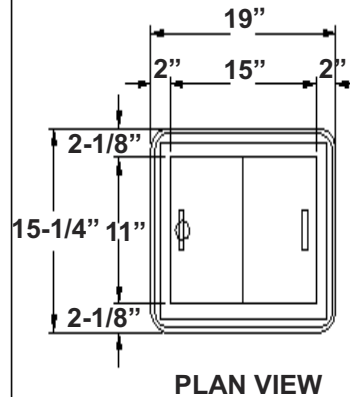
STANDARD FEATURES

- Fully insulated to hold ice longer
- Removable S/S hinged lid
- Factory applied gasket - makes installation a snap and seals units to the counter top, thus eliminating seepage
- 1-Year Parts & Labor Warranty
- NSF Certified

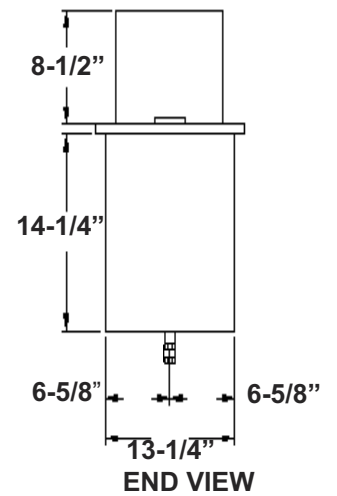
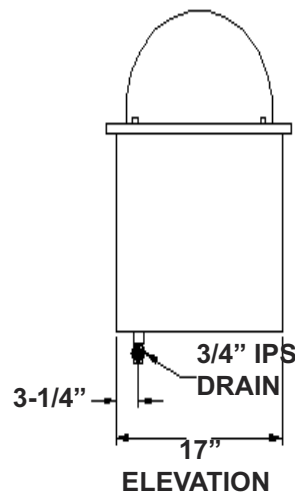
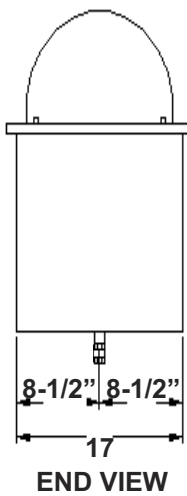
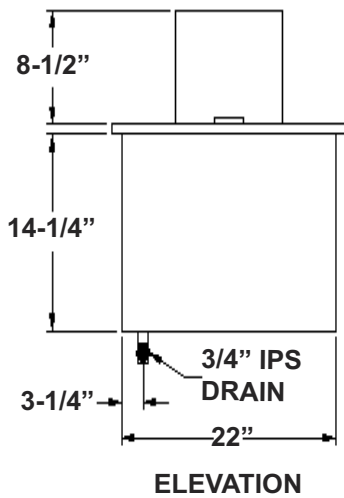
*Please see Operation & Installation Manual for ALL operation and maintenance details.



**WB-19
SHOWN**



**WB-15
SHOWN**



MODEL	CUT-OUT REQUIRED	ICE CAPACITY (LBS.)	SHIP WT (LBS.)
WB-15	13-1/2" X 17-1/4" (34.2 X 43.8cm)	40 (18.1kg)	34 (15.4kg)
WB-19	17-1/4" X 22-1/4" (43.8 X 56.5cm)	60 (27.2kg)	55 (24.9kg)