



# T&S BRASS AND BRONZE WORKS, INC.

2 Saddleback Cove / P.O. Box 1088  
Travelers Rest, SC 29690

Model No.

**MPZ-4DLN-06**

Item No.

Travelers Rest, SC: 800-476-4103 • Simi Valley, CA: 800-423-0150 • Fax: 864-834-3518 • www.tsbrass.com

For Commercial Use Only

This Space for Architect/Engineer Approval

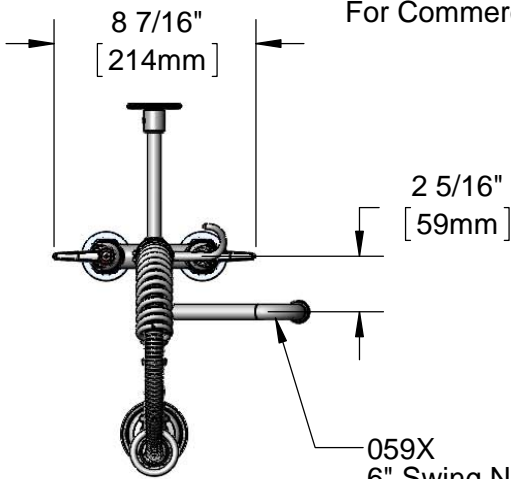
Job Name \_\_\_\_\_ Date \_\_\_\_\_

Model Specified \_\_\_\_\_ Quantity \_\_\_\_\_

Customer/Wholesaler \_\_\_\_\_

Contractor \_\_\_\_\_

Architect/Engineer \_\_\_\_\_



059X  
6" Swing Nozzle  
w/ Stream Regulator  
Outlet

24" Flexible Stainless  
Steel Hose w/ Spring  
& Spray Valve

Items Not Shown  
For Clarity  
3/8" NPT x 8" Riser  
Finger Hook

B-0107  
1.42 GPM  
Spray Valve



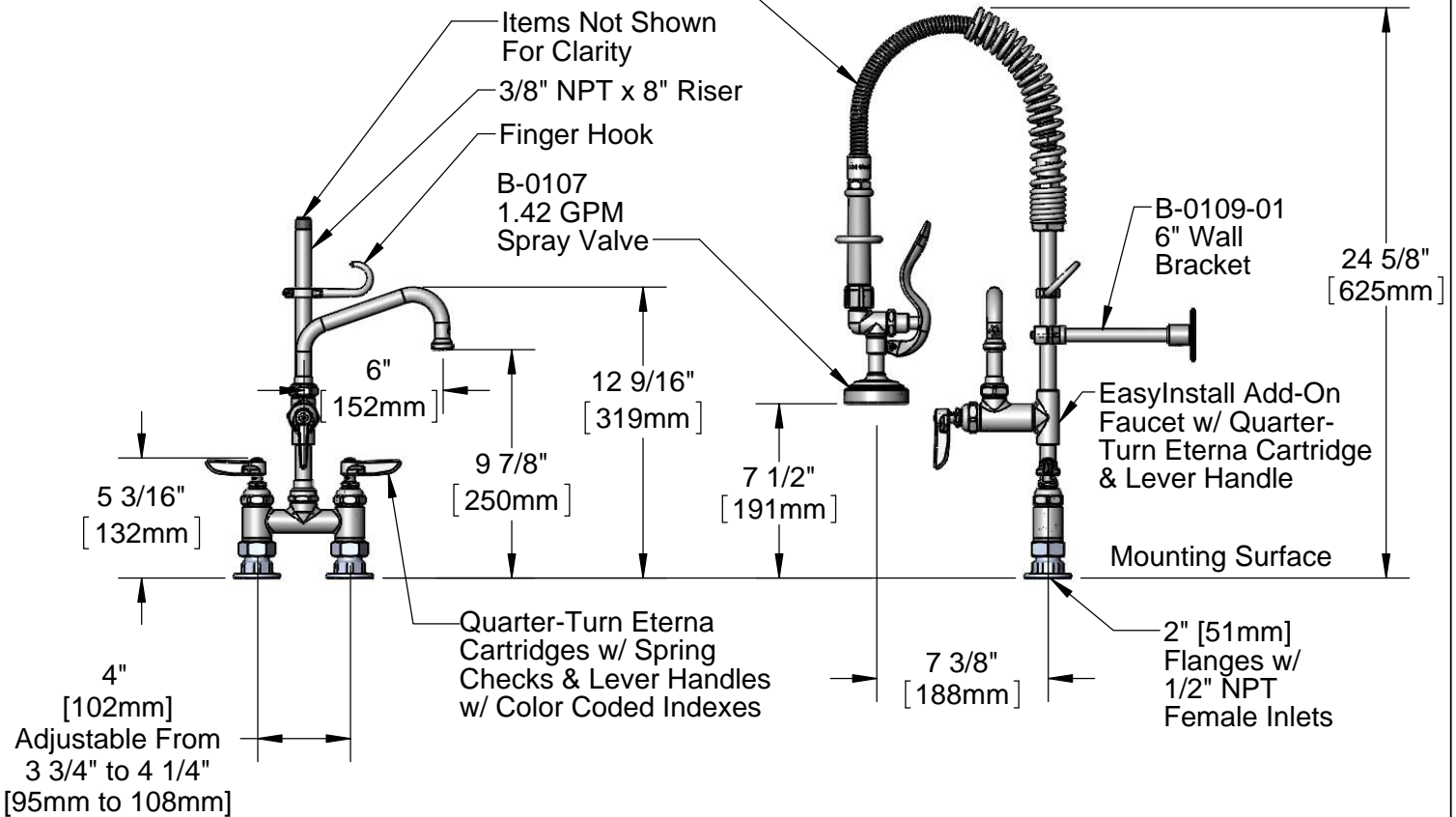
B-0109-01  
6" Wall  
Bracket

EasyInstall Add-On  
Faucet w/ Quarter-  
Turn Eterna Cartridge  
& Lever Handle

Mounting Surface

Quarter-Turn Eterna  
Cartridges w/ Spring  
Checks & Lever Handles  
w/ Color Coded Indexes

2" [51mm]  
Flanges w/  
1/2" NPT  
Female Inlets



**Product Specifications:**

Pre-Rinse Unit: EasyInstall 4" Deck Mount Mixing Faucet, Quarter-Turn Eterna Cartridges w/ Spring Checks, Lever Handles, Add-On Faucet w/ 6" Swing Nozzle, Compact Spring, 24" Flexible Stainless Steel Hose, 1.42 GPM Spray Valve, 6" Wall Bracket & 1/2" NPT Female Inlets

**Product Compliance:**

ASME A112.18.1 / CSA B125.1  
NSF 61 - Section 9  
NSF 372 (Low Lead Content)  
EPA 2005 (PRSV)



# T&S BRASS AND BRONZE WORKS, INC.

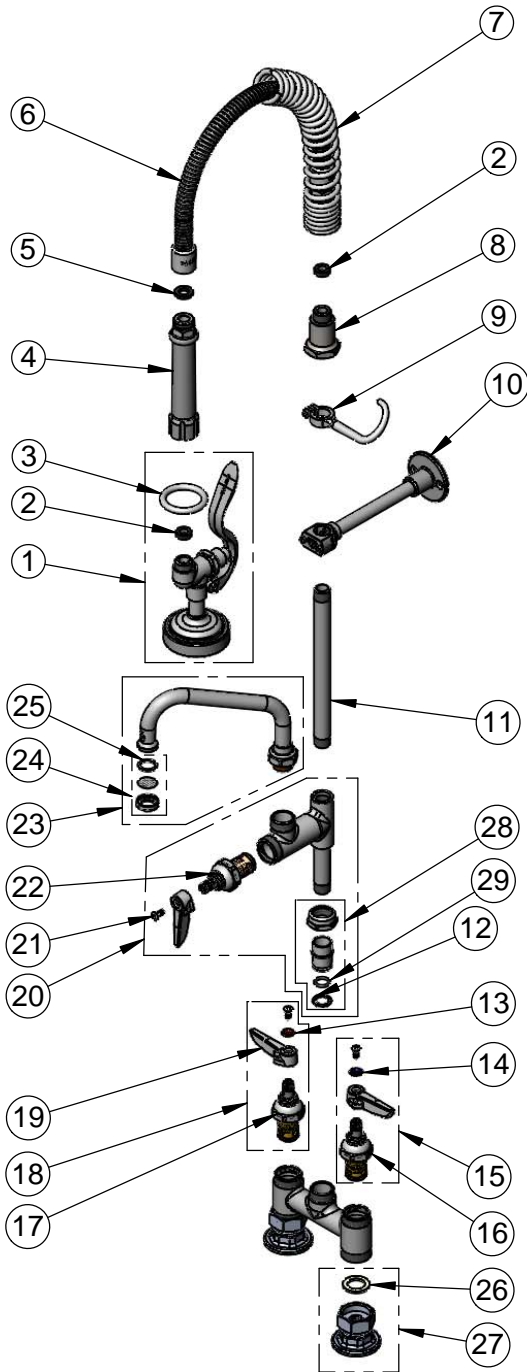
2 Saddleback Cove / P.O. Box 1088  
Travelers Rest, SC 29690

Model No.

**MPZ-4DLN-06**

Item No.

Travelers Rest, SC: 800-476-4103 • Simi Valley, CA: 800-423-0150 • Fax: 864-834-3518 • www.tsbrass.com



ITEM NO.	SALES NO.	DESCRIPTION
1	B-0107	1.42 GPM Spray Valve
2	010476-45	#27 Washer
3	000907-45	Spray Valve Hold Down Ring
4	002987-40	Grip Handle
5	001014-45	Washer, B-0100 Hose Barrel
6	B-0024-H2A	24" Flexible Stainless Steel Hose, Less Handle
7	016795-45	Compact Spring
8	000821-40	Spring Body
9	004R	Finger Hook
10	B-0109-01	6" Wall Bracket
11	078X	3/8" NPT x 8" Riser
12	014200-45	Star Washer, Anti-Rotation
13	001661-45	Red Index-HW
14	001660-45	Blue Index-CW
15	002711-40	Quarter-Turn Eterna Cartridge, LTC w/ Spring Check, Handle, Index & Screw
16	012442-40	Quarter-Turn Eterna Cartridge, LTC w/ Spring Check
17	012443-40	Quarter-Turn Eterna Cartridge, RTC w/ Spring Check
18	002712-40	Quarter-Turn Eterna Cartridge, RTC w/ Spring Check, Handle, Index & Screw
19	001638-45	Lever Handle
20	B-0155-LNEZ	EasyInstall Add-On Faucet, Less Nozzle
21	000922-45	Lever Handle Screw
22	005960-40QT	Quarter-Turn Eterna Cartridge, RTC
23	059X	6" Swing Nozzle
24	B-PT	Stream Regulator Outlet
25	001048-45	Nozzle Tip Washer
26	001019-45	Coupling Nut Washer
27	00AA	1/2" NPT Female Eccentric Flange
28	EZ-K	EasyInstall Kit: Nut, Bushing, O-Ring & Lock Washer
29	001065-45	O-Ring

**Product Specifications:**

Pre-Rinse Unit: EasyInstall 4" Deck Mount Mixing Faucet, Quarter-Turn Eterna Cartridges w/ Spring Checks, Lever Handles, Add-On Faucet w/ 6" Swing Nozzle, Compact Spring, 24" Flexible Stainless Steel Hose, 1.42 GPM Spray Valve, 6" Wall Bracket & 1/2" NPT Female Inlets

**Product Compliance:**

ASME A112.18.1 / CSA B125.1  
NSF 61 - Section 9  
NSF 372 (Low Lead Content)  
EPA Act 2005 (PRSV)