

Cuisine Series Heavy Duty 18" Add-A-Unit

Project _____
 Item _____
 Quantity _____
 CSI Section 11400
 Approved _____
 Date _____

Models

- C18-7S
- C18-7M



Model C18-7S
18" Add-A-Unit
Open Burners

Standard Features

- Two 40,000 BTU/h (NG) Garland Starfire open top burners
- One-piece cast iron grates and bowls over each open top burner
- Stainless steel front and sides
- Stainless steel front rail
- Stainless steel burner box
- 1-1/4" NPT front gas manifold
- Can be installed individually or in a battery
- 7" (178mm) high stainless steel stub back
- 6" (152mm) stainless steel adj. legs
- Modular unit (M) can be mounted on Polar Cuisine refrigerated base

Options & Accessories

- Single or double deck high shelf or back riser
- Full-height stand for modular base with legs or casters
- Stainless steel intermediate shelf for cabinet base
- Stainless steel door for cabinet base units
- Stainless steel back
- Continuous plate rail, 48-72" for battery installations
- Gas shut-off valves: 3/4" (M/S models only), 1", 1 1/4" NPT (Specify)
- Gas regulator: 3/4" (M/S models only), 1", 1 1/4" NPT (Specify)
- Gas flex hose w/ quick disconnect: 3/4" (M/S models only), 1", 1 1/4" NPT (Specify)
- Rear gas connection: 3/4" NPT
- Set of (4) flanged feet (for fastening unit to the floor)
- Set of (4) 5" polyurethane non-marking swivel casters w/front brakes
- Set of (4) 6" swivel casters, w/front brakes
- Extension for 1/9 pans

Specifications

Garland Cuisine Series Add-A-Unit, Model _____ with total BTU/h rating _____ when used with natural/propane gas. Stainless steel finish & 6" (152mm) legs w/adjustable feet.

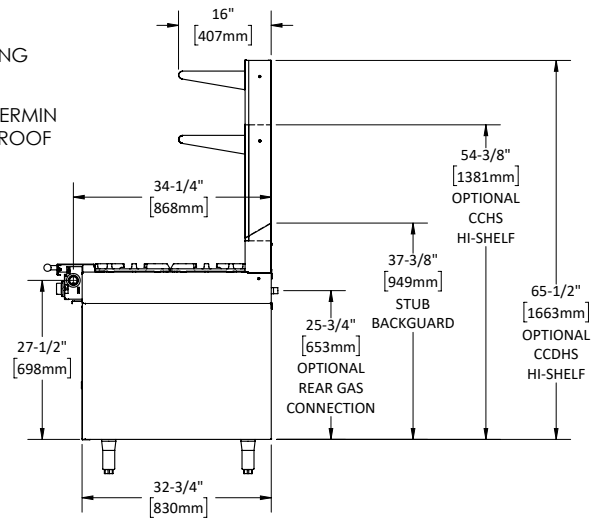
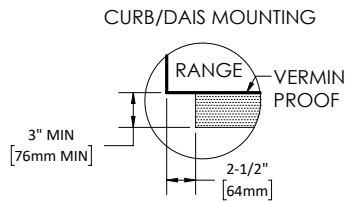
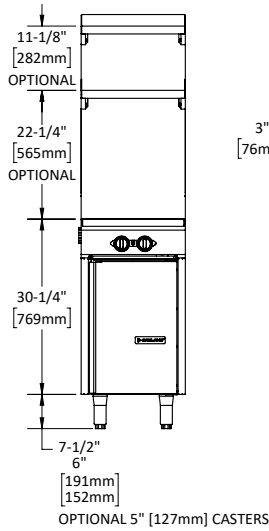
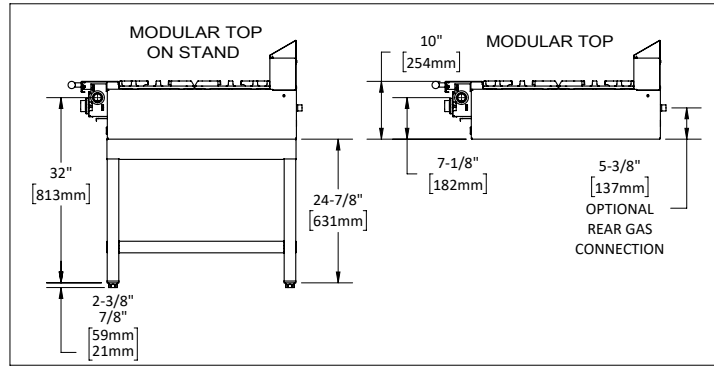
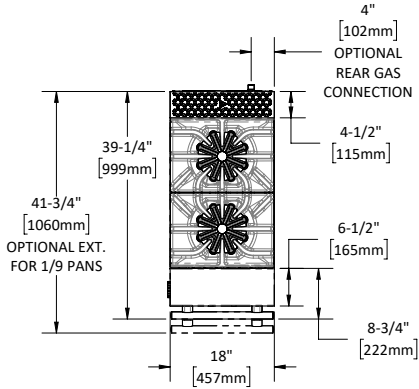
Open Burners - 40,000 BTU/h burner and a one piece grate and bowl over each burner.

NOTE: Ranges supplied with casters must be installed with an approved restraining device.



Cuisine Series Heavy Duty 18" Add-A-Unit

Cuisine Series Heavy Duty 18" Add-A-Unit



| Model # | Description | Total BTU/h NAT. Gas | Total BTU/h Propane | Shipping | |
|---------|----------------------------------|-------------------------|------------------------|----------|---------|
| | | | | Cu Ft | lbs/kg |
| C18-7S | 18" (457mm) OB with Storage Base | 80,000 | 76,000 | 28 | 227/103 |
| C18-7M | 18" (457mm) OB Modular Top | 80,000 | 76,000 | 26 | 227/103 |

OB = Open Burner

| Combustible Wall Clearance | |
|----------------------------|------------|
| Sides | Back |
| 10" (254mm) | 6" (152mm) |

| Individual Burner Ratings (BTU/h) | | |
|-----------------------------------|--------|--------|
| Burner | NAT. | PRO. |
| Open Top | 40,000 | 38,000 |

| Dimensions: In (mm) | Unit | Cabinet Interior |
|------------------------|------------------|------------------|
| Width | 18" (457mm) | 15-1/2" (394mm) |
| Depth | 39 3/8" (1001mm) | 28-1/2" (724mm) |
| Height | 30 1/4" (769mm) | 19-1/2" (495mm) |
| Height w/ 6" legs | 36 1/4" (921mm) | N/A |

| Gas Pressure | NAT. | PRO. |
|-----------------------------|-------|--------|
| Minimum Supply | 7" WC | 11" WC |
| Manifold Operating Pressure | 6" WC | 10" WC |
| Gas Manifold 1-1/4" NPT | | |

Garland reserves the right to make changes to the design or specifications without prior notice.