



72" Upright Bins

Model Number
2115
3225
4325



4325 shown



FEATURES

- Full stainless steel—front, back, bottom, sides and liner
- Large opening for scoop dispensing
- 1 ½" foamed in-place polyurethane insulation
- Stainless steel baffle prevents ice overflow
- Adjustable feet
- Factory installed 1" NPS stainless steel drain
- Spring loaded door hinge
- Transparent view windows

ASSEMBLY REQUIRED

- Snout (tool-free)
- Feet

Toll Free Phone: 1-800-346-3246

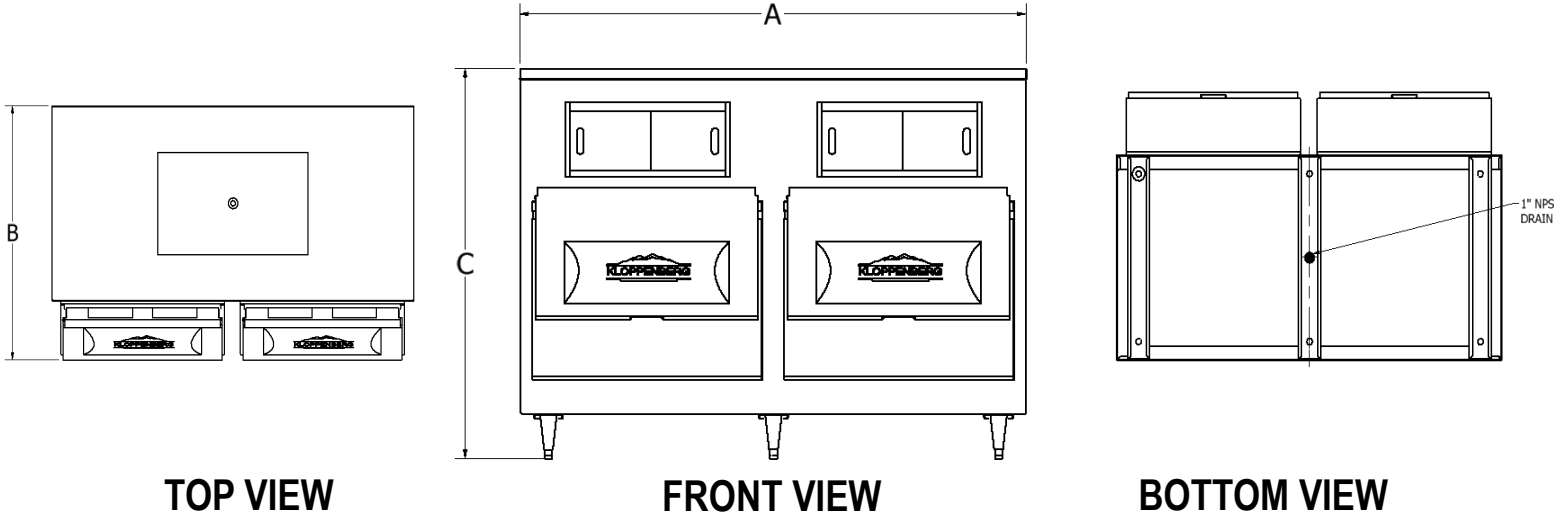
Local Phone: (303) 761-1615

sales@kloppenberg.com

www.kloppenberg.com

Model Number
2115
3225
4325

72" Upright Bins



Model Number	Capacity lbs (kg)	A-Width in (mm)	B-Depth* in (mm)	C-Height in (mm)	Minimum Door Clearance in (mm)	Ship Weight lbs (kg)
2115	2,639 (1,197)	72 (1,829)	58.5 (1,232)	55 (1,422)	48 (1,219)	675 (307)
3225	3,739 (1,695)	72 (1,829)	58.5 (1,232)	75 (1,930)	48 (1,219)	800 (364)
4325	4,839 (2,194)	72 (1,829)	58.5 (1,232)	96 (2,438)	48 (1,219)	960 (436)

*Includes 10.5" depth for snout

OPTIONS:

- Stainless Steel liner
- Fully welded stainless steel liner (coved corners)
- Prison Package
- Flanged feet

AVAILABLE ACCESSORIES:

- Paddle
- Scoops
- Totes
- Bagging Kit
- Carts

Toll Free Phone: 1-800-346-3246 Local Phone: 303-761-1615

Email: sales@kloppenberg.com

Please send all PO's to purchaseorders@kloppenberg.com