



BDB-18  
 shown in an installation setting



**Intertek**  
 4004503  
 Conforms to ANSI/NSF STD 2

Project: _____	AIA# _____
Item #: _____ Qty: _____	SIS# _____
Model #: _____	

## Beer Drainers

<b>BD</b>	BDA-18, BDA-24, BDA-30, BDB-36, BDB-18, BDB-24, BDB-30, BDB-36
-----------	--

### *Standard Features*

- All stainless steel construction
- Designed with lowered work surface to work in conjunction with undercounter mounting beverage dispensers
- Adjustable stainless steel bullet feet
- Rear deck with tubing chase notch allows beer lines to be installed prior to beer drainer
- Front drain pan with lift-out stainless steel perforated insert

### *Specifications*

**Drain**

- 1/2" welded tailpiece. Clear vinyl drain line is connected to the tailpiece at the factory. A 1/2" by 1/2" barbed plastic elbow is provided to make the connection at the bottom of the unit.

**Legs**

- 1-5/8" diameter, 16 gauge stainless steel
- Stainless steel bullet feet

**Materials**

- 20 gauge stainless steel

To view underbar installation instructions, please visit:  
[https://www.glastender.com/PDF/F-750-165\\_Underbar\\_Installation\\_Instructions.pdf](https://www.glastender.com/PDF/F-750-165_Underbar_Installation_Instructions.pdf)  
 To view cleaning and care instructions, please visit: [https://www.glastender.com/PDF/F-423-011\\_ss\\_clean\\_care.pdf](https://www.glastender.com/PDF/F-423-011_ss_clean_care.pdf)

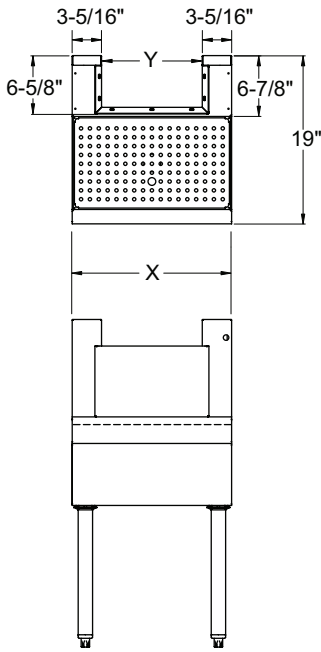
<b>Glastender, Inc.</b> • 5400 N Michigan Rd • Saginaw, MI • 48604-9780 989.752.4275 • 800.748.0423 • Fax 989.752.4444 <a href="http://www.glastender.com">www.glastender.com</a>	Approval/Notes:
Specifications subject to change without notice. For current specifications please visit our website.	

# Beer Drainers

## Drawings

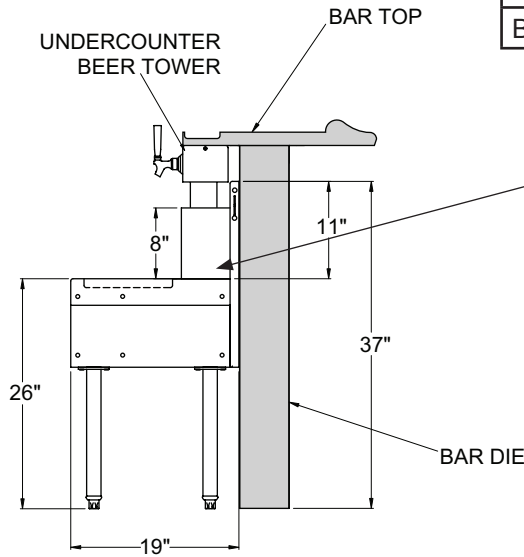
### "A" Depth-19" Deep Models

Model Number	X	Y
BDA-18	18"	11-3/8"
BDA-24	24"	17-3/8"
BDA-30	30"	23-3/8"
BDA-36	36"	29-3/8"



Model BDA-18 shown

PLAN VIEW



When specified along with a Glastender UC model undercounter tower, the front-to-back dimension of the rear chase will be extended if necessary to align the tower properly based on the bar top overhang specified by the customer.

FRONT ELEVATION

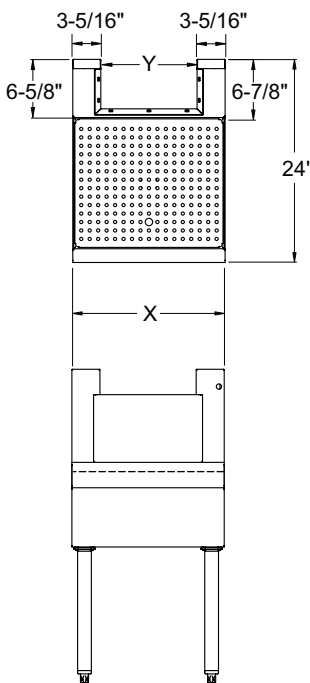
SIDE ELEVATION

**NOTES:**

- A minimum clearance height below the bar top of 38-1/2" and a minimum 7" bar top overhang is required when BDA or BDB models are used in conjunction with a Glastender UC model undercounter tower.
- The beer drainer must be set in place after the UC model undercounter tower is mounted.
- BDA models will accommodate 7" to 10" deep bar top overhangs.
- BDB models will accommodate 7" to 14" deep bar top overhangs.
- The bar top overhang must be specified when ordered.

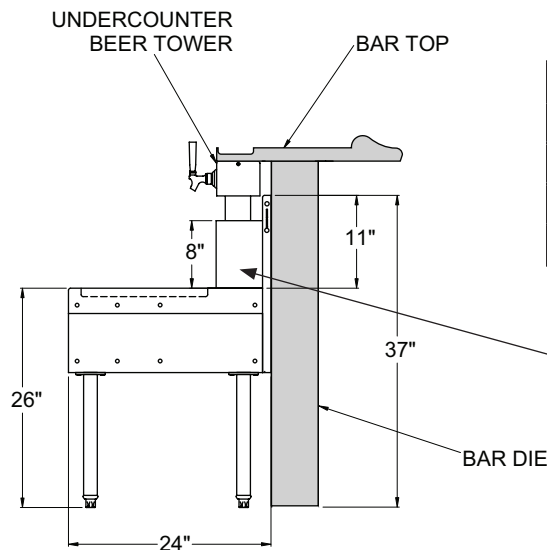
### "B" Depth-24" Deep Models

Model Number	X	Y
BDB-18	18"	11-3/8"
BDB-24	24"	17-3/8"
BDB-30	30"	23-3/8"
BDB-36	36"	29-3/8"



Model BDB-18 shown

PLAN VIEW



When specified along with a Glastender UC model undercounter tower, the front-to-back dimension of the rear chase will be extended if necessary to align the tower properly based on the bar top overhang specified by the customer.

FRONT ELEVATION

SIDE ELEVATION