



SPEC SHEET

KoolMore 6 Qt. Three-Section Electric Countertop Food Warmer With Faucet.

SKU: CFW-3T

FEATURES

- Large-Capacity Food Warmer
- Traditional Bain Marie System
- Three Deep, Large Capacity Serving Sections
- Sleek and Durable Corrosion-Resistant 20 Gauge Stainless Steel
- Warming Function with Indicator Light
- Quick-Drain Water Tap



CLOSE UP IMAGES



TECHNICAL SPECS

Dimensions

Length	23.62
Width	13.31
Height	11.22
Power Cord Length	60

Capacity

WeightLbs	22.26
Maximum Depth Of Pans	5.9
Pan Capacity	3 1/3 GN Pans
Water Capacity	3.7-7 Qts.

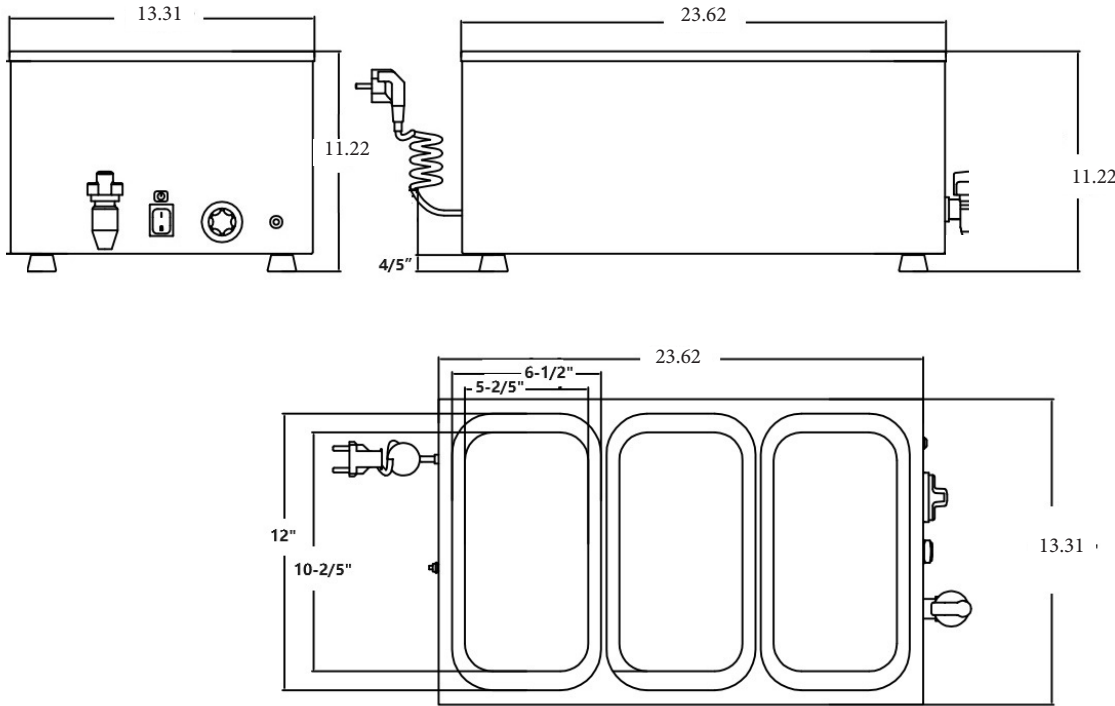
Features & Material

Temperature Range	88-203 F
Number Of Temperature Zones	1
Warming Time After Unplugging Min	1-2 Hours
Control Type	Manual (Knob and Switch)
Legs Adjustable	No
Hot Surface Indicator Lights	Yes
Color Finish	Stainless-Steel
Exterior Material	Stainless-Steel 201
Gauge Of Stainless Steel	24
Feet Material	Rubber

Electric Data & Certifications

Amps	10.9
Hertz	60
Phase	1
Plug Type	NEMA 5-15P
Voltage	110
Wattage	1200
Certifications	ETL Listed for Safety and Sanitation

Plan View



CERTIFICATIONS



706 Eastern Parkway STE 1G, Brooklyn NY 11213
718-576-6342
info@koolmore.com