

SpaceMaker™ iT0900 Ice Cube Machine

Indigo®NXT SpaceMaker™ iT0900 Ice Cube Machine

Models

IDT0900W-261V

IYT0900W-261V



IDT0906W-261V
As shown with SeaKing bin (recommended)
(Ice Machine and Bin sold separately)

Marine Ice Machine Features

The Indigo®NXT SpaceMaker™ puts the utilities connection through the top panel allowing the machine to come in contact with the back and side walls saving valuable space in the galley.

- Standard Indigo NXT feature set with internal communication system that continually monitors refrigeration and sub-system controls 24/7.
- Front facing evaporator allows access to the Food zone for easy cleaning without removing the top lid.
- Isolation switch immediately cuts power to the entire unit.
- Completely sealed unit, top, front, back, top and sides.
- Meets USPHS and NSF specifications
- Top and Side panels designed to be removable even when fixed to the bulkhead, allowing easy access for servicing

Warranty

- 5-year parts-and-labor on evaporator.
- 5-year parts and 3-year labor on compressor.
- 3-year parts-and-labor on all other components.



Top access ports



Easy access control panel



SeaKing bin (recommended)

Ice Shape

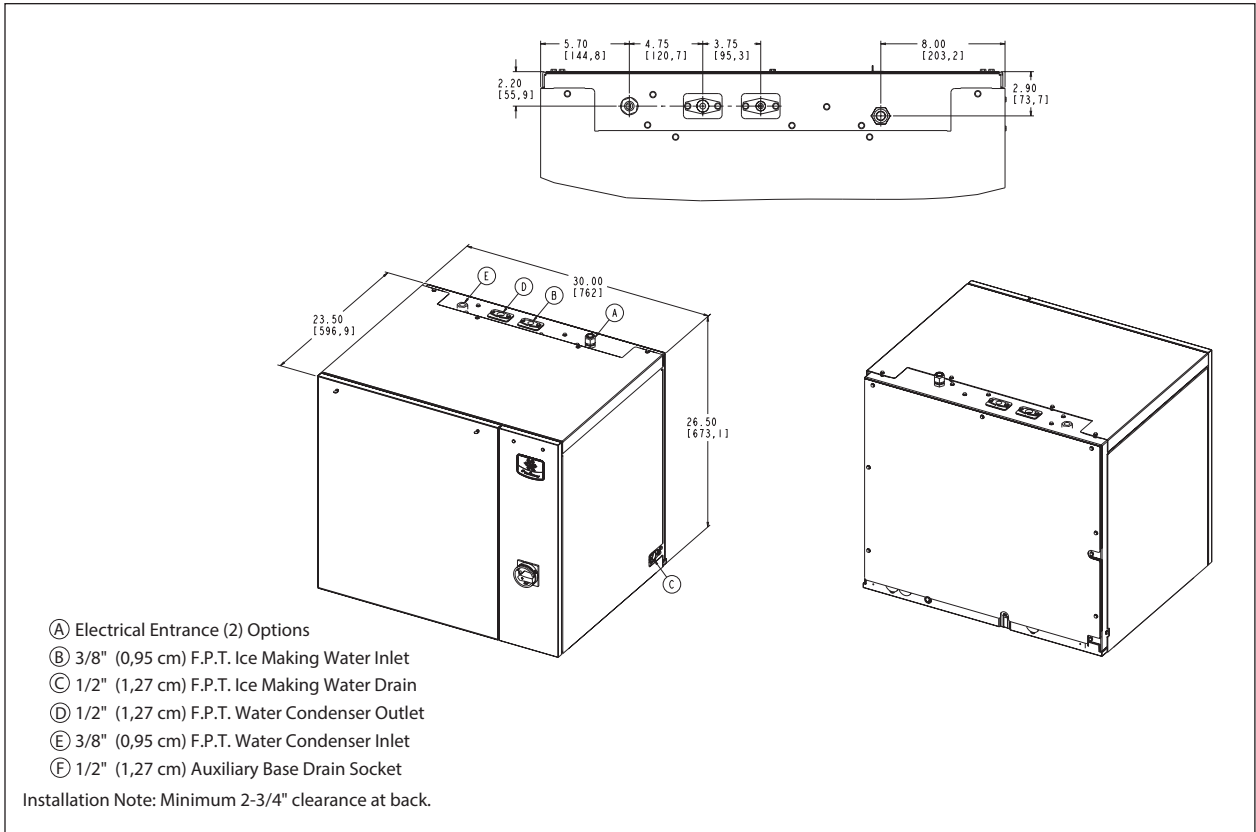


Half Dice
3/8" x 1 1/8" x 7/8"
(.95 x 2.86 x 2.22 cm)



Dice
7/8" x 7/8" x 7/8"
(2.22 x 2.22 x 2.22 cm)









Series iF0900		Ice Machine Electric		Ice Machine Operating Limits	
IDT0900W	Dice Size	Electricity	208-230 v	Ambient Temperature	40 to 110 F (4.4 to 43.3C)
IYT0900W	Half Dice Size	Phase	Single	Potable Water Temp.	40 to 90 F (4.4 to 32.2C)
26.5" H x 30.0" W x 24.5" D		Cycle	60 Hz	Water Pressure	Min 20 psi (137.9 kPA)
76.2 H x 62.2 W x 67.3 D cm		Max fuse size	15 amp		Max . 80 psi (551.1kPA)
Approx. Net Wt.	200 lbs/90.7 kg	Min Ampacity	8.8 A	Condenser Water	Min 20 psi (137.9 kPA)
Approx. Gross Wt.	215lbs/97.5 kg	Machine Rating	1195.2 W		Max. 276 psi (1,902.95kPA)

Ice Production 24hours								
Model	Ice Shape	70 Air/50F Water		90 Air/70F Water		kWh/100 lbs ice	gal/100 lbs ice	
IDT0900W	dice	780 lbs	354 kg	665 lbs	302 kg	4.02	19 Gal.	71.9 L
IYT0900W	half-dice	785 lbs	356 kg	665 lbs	302 kg	4.02	19 Gal.	71.9 L
Water Cooled Condenser Water usage /100 lbs /45.4 kgs. of ice 135 gal / 511 L								

This product is hermetically sealed and contains fluorinated greenhouse gas R410a.

Accessories

<p>Lumince® II Virus and Bacteria Inhibitor controls viruses and bacteria inside the ice machine</p> 	<p>Arctic Pure® Plus Water Filters reduce sediments and chlorine contaminants down to .5 microns. Use with a Pre-filter is recommended.</p> 	<p>IAuCS® schedules and performs routine ice machine cleaning automatically.</p> 	<p>External Scoop Holder protect the ice scoop with the NSF approved versatile scoop holder.</p> 
---	--	---	---