



# EMPower Gas Charbroiler Top - 48"

ITEM # \_\_\_\_\_

MODEL # \_\_\_\_\_

NAME # \_\_\_\_\_

SIS # \_\_\_\_\_

AIA # \_\_\_\_\_



EMPower  
Gas Charbroiler Top - 48"

169122 (AGG48)      EMPower Restaurant Range charbroiler, 48" wide, gas, 132,000 BTU, cast iron radiants with 4" adjustable, removable legs

## Short Form Specification

### Item No. \_\_\_\_\_

EMPower unit to be Electrolux Gas Charbroiler Top with four high efficiency 33,000 BTU (9,6 kW) burners. Control knobs provide smooth, continuous rotation from min to max. Suitable for natural gas or propane gas. Heavy duty, double-sided, removable cast iron radiants to provide attractive char-broil markings and unmistakable char-broiled taste. 6" (153 mm) radiant sections may be rEMPoweroved easily and safely for cleaning. Special systEMPower utilizing stainless steel deflective shields below the radiants (PATENT PENDING) prevents clogging of burners, minimizes flare ups and provides even heat distribution. Four full length, half gal. (2 l) grease collector drawers with hole to indicate when full, capture all excess grease and oil and can be extracted for easy dumping and cleaning. Grease collector drawers may be filled with water to facilitate cleaning. Full width, removable grease gutter on front. No tools are needed to rEMPowerove grates, radiant covers, stainless steel burners, splashback and grease gutter. All major components can be accessed from the top and front of the appliance for ease of maintenance. Worktop in AISI 304 Stainless Steel. Front and side panels in Stainless Steel with Scotch Brite

finish. removable splashback may be easily disassEMPowerbled for cleaning. Special heavy duty chrome plated knobs for durability and easy cleaning. The configuration of bezels and knobs provides high level of protection against water infiltrations. Right-angled side edges to allow flush fitting joints between EMPower units. Supplied with 4" (102mm) height adjustable, removable legs. EMPower unit may be installed on refrigerated base or open cupboard.



APPROVAL: \_\_\_\_\_



EMPower  
Gas Charbroiler Top - 48"



### Main Features

- Two high efficiency gas 33,000 BTU (9,6 kW) burners.
- Burners with optimized combustion and protected pilot light.
- Flame failure device to protect against accidental extinguishing of the flame.
- Control knobs provide smooth, continuous rotation.
- Heavy duty, double-sided, removable cast iron radiants to provide attractive char-broil markings and unmistakable char-broiled taste.
- 6" (153 mm) radiant sections may be removed easily and safely for cleaning.
- Special system utilizing stainless steel deflective shields below the radiants (PATENT PENDING) prevents clogging of burners, minimizes flare ups and provides even heat distribution.
- Two full length, half gal. (2 l) grease collector drawers with hole to indicate when full, captures all excess grease and oil and can be extracted for easy dumping and cleaning.
- Grease collector drawers may be filled with water to facilitate cleaning.
- Full width, removable grease gutter on front.
- No tools are needed to remove grates, radiant covers, stainless steel burner, splashback and grease gutter.
- Removable splashback may be easily disassembled for cleaning.
- All major components can be accessed from the top and front of the appliance for ease of maintenance.
- Front and side panels in Stainless Steel with Scotch Brite finish.
- Special heavy duty chrome plated knobs for durability and easy cleaning.
- The configuration of bezels and knobs provides high level of protection against water infiltrations.
- Right-angled side edges to allow flush fitting joints between units, eliminating gaps and possible dirt traps.
- Provided with kit for side-by-side connection between units for minimizing gaps and possible dirt traps.
- Supplied with 4" (102mm) height adjustable, removable legs.
- Unit may be installed on refrigerated base by removing the legs and inserting the special pins (optional accessory).
- Unit may be installed on open cupboard by removing the legs and inserting the screws provided as standard with the open cupboards.
- Included Accessories: propane converter kit, pressure regulator and main shut off valve.
- In compliance with ETL Certification (UL & NSF).
- Configured for Natural Gas, LP Conversion Kit Included.

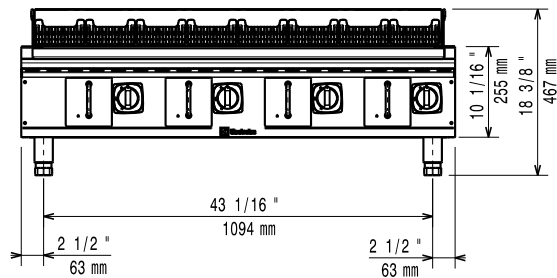
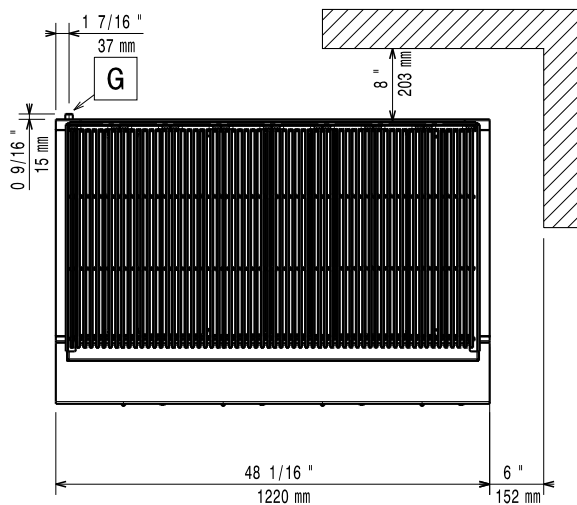
### Construction

- Worktop in 304 AISI stainless steel.
- 4 screws to install on the cupboard base are supplied with the unit.
- Gas pressure regulator is supplied with the unit.

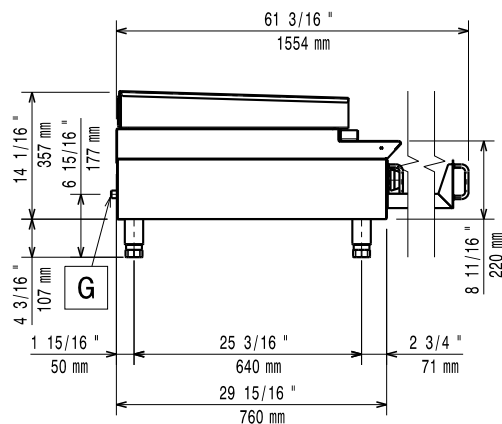
### Optional Accessories

- EMPower - 4 pins to fix top to refrigerated/open base PNC 169048
- EMPower scraper & hooks for charbroiler PNC 169082

- EMPower back mounted rear shelf-spacer, 48" unit PNC 169100
- Portioning Shelf 12" PNC 169173
- Portioning Shelf 16" PNC 169174
- Portioning Shelf 24" PNC 169175
- Portioning Shelf 36" PNC 169176
- Portioning Shelf 48" PNC 169177

**Front**

**Top**


**EQ** = Equipotential screw  
**G** = Gas connection

**Side**

**Gas**
**Gas Power:**
**169122 (AGG48)**
**132000 Btu/hr (38.6 kW)**
**Gas Inlet:**
**1/2"**
**Key Information:**
**External dimensions, Width:** 48 1/32" (1220 mm)

**External dimensions, Depth:** 31 1/2" (800 mm)

**External dimensions, Height:** 18 3/8" (467 mm)

**Net weight:** 245 lbs (111 kg)

**Shipping width:** 50 9/16" (1284 mm)

**Shipping depth:** 36 1/16" (916 mm)

**Shipping height:** 27 1/16" (688 mm)

**Shipping weight:** 276 lbs (125 kg)

**Shipping volume:** 28.57 ft<sup>3</sup> (0.81 m<sup>3</sup>)

\*The rear and side clearances shown on the diagram indicate the minimum distances recommended from the appliance to combustible surfaces.