



MKFA 711 S

SEVEN-TRAY, GN 1/1 COMBI OVEN
WITH ELECTROMECHANICAL CONTROLS

FEATURES



- (7) GN 1/1 (hotel/12"x20") tray capacity with 2 2¹/₃₂" pitch
- (7) Half-size (13"x18") tray capacity (on grids)
- Water/Drain Installation kit *INCLUDED*
- (7) GN 1/1 stainless-steel grids *INCLUDED*
- Temperature range 86°F to 518°F
- (2) Bi-directional auto-reversing fans
- AISI 304 stainless-steel cooking chamber
- Right-hinged (left-opening) door
- Door rests at 60°, 90°, 120°, 180°
- Stackable with MKFA 711 or MKFA 511 oven
- Adjustable feet
- Extended warranty options available

Conforms to the following standards:

- Standard safety UL 197
- CSA C 22.2 No. 109:2017
- Sanitation NSF / ANSI 4-2020



Tecnoeka, Inc.
3385 Denver Drive
Denver, North Carolina 28037

Web Site: www.tecnoeka.com
E-mail: info.usa@tecnoeka.com
Toll Free: 888-626-EKA1 (3521)



Printed in the U.S.A.
March 2023

MKFA 711 S

DIMENSIONS	NET	
Width	28.74 in	31 in
Depth	33.84 in	36 in
Height	35.20 in	41 in
Weight	197.5 lb	249 lb

UTILITY CONNECTIONS

All utility connections should be within three feet of the centerline of the back of the oven when installed.

Water supply: 1/2" cold-water supply (max 86°F) with supplied 1/2" NPT, 3/4" NPT or 3/4" GH/NHR connection.

Water pressure: Max supply pressure before regulator: 125 psi. Pressure at oven water inlet: 15-30 psi (install kit contains one 30psi regulator).

Drain size should be a minimum of 1" diameter into either a cup or floor drain with an 1" air gap.

ELECTRICAL

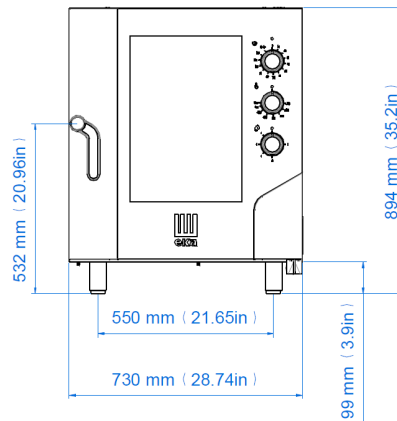
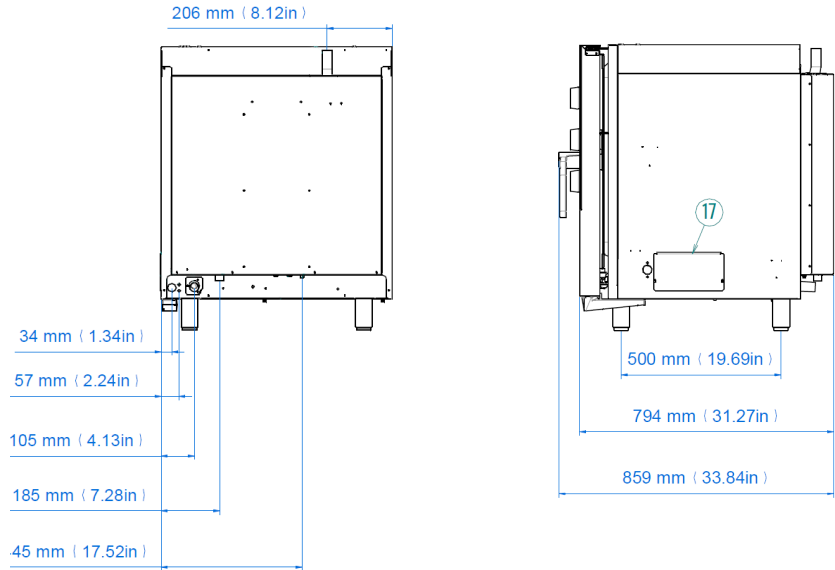
Power:	15.8-18.2kW
Frequency:	60 Hz
Voltage (V):	AC 208/240v 3-phase
L1:	43 amps
L2:	42 amps
L3:	42 amps
Cable:	NOT SUPPLIED
Plug:	NOT SUPPLIED
Breaker size:	60A (recommended)

WATER QUALITY SPECIFICATIONS

Free Chlorine:	< 0.1	ppm
Hardness:	30-70	ppm
Chloride:	< 30	ppm
Total Dissolved Solids:	50-125	ppm
Silica:	< 12	ppm
pH:	7.0 - 8.5	
Chloramine:	< 0.1	ppm
Alkalinity:	< 150	ppm (CaCO ₃)

AVAILABLE OPTIONS AND ACCESSORIES

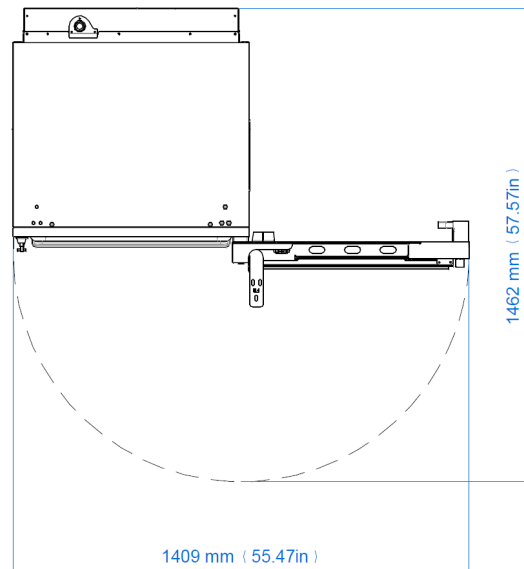
Table - standard height for GN1/1 ovens	MKTS 11
Floor stand for stacked GN1/1 ovens	MKT 11 D
4" Mounting/stacking kit for GN1/1 ovens	MKSA 11
GN1/1 Mounting kit w/ lateral supports	MKSST 511
Set of four (2 with brake) casters	MKKR
GN1/1 stainless-steel grid	KG9GX
Spray kit with support and tube	EKKD



* Oven must be installed a minimum of 19.7" (500 mm) from any significant source of heat and/or grease (for example: fryers, burners, kettles, open flames, etc.)

Other surfaces must maintain a minimum of 3.94" (100mm) clearance.

Tecnoeka is not responsible for damage to the oven caused by any external heat source.



Tecnoeka, Inc.
3385 Denver Drive
Denver, North Carolina 28037

Web Site: www.tecnoeka.com
E-mail: info.usa@tecnoeka.com
Toll Free: 888-626-EKA1 (3521)



Printed in the U.S.A.
March 2021