

# PREMIUM FLAT TOP WORKTABLE

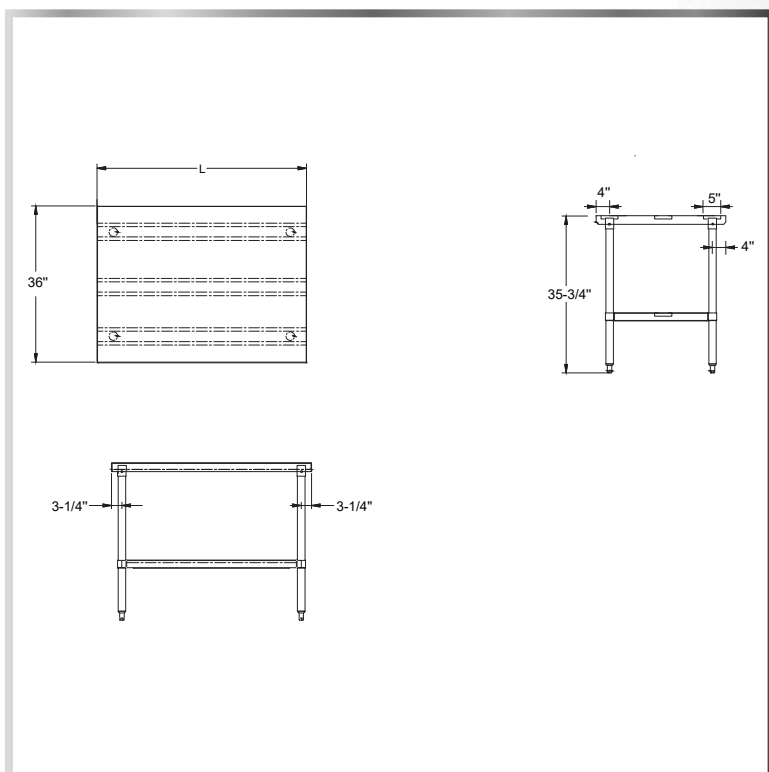
WORKTABLES - FLAT TOP

14GA



## MATERIALS

- 14 Gauge 300 Series Stainless Steel Top
- 18 Gauge 300 Series Stainless Steel Lower Shelf With Aluminum Corners
- Stainless Steel Legs and Bullet Feet



## FEATURES

- 3 Channels
- Straight Turndown Edges
- Adjustable Lower Shelf and Bullet Feet
- Available As Cross-Braced Worktable (X)
- Available With Casters (Page 120)

MODEL NUMBER	LENGTH	WIDTH
TS4-4836	48"	36"
TS4-6036	60"	36"
TS4-7236	72"	36"
TS4-4836-X	48"	36"
TS4-6036-X	60"	36"
TS4-7236-X	72"	36"